

# BOUNCE LINES™

SUSPENSION

TYPE:

PROJECT NAME:



SPECIFICATION SHEET

## BOUNCE LINES

DESIGNED BY GLENN MARYS

**Luminart®**

WWW.LUMINARTLIGHTING.COM

# BOUNCE LINES™

SUSPENSION

TYPE:

PROJECT NAME:

## DIMENSIONS

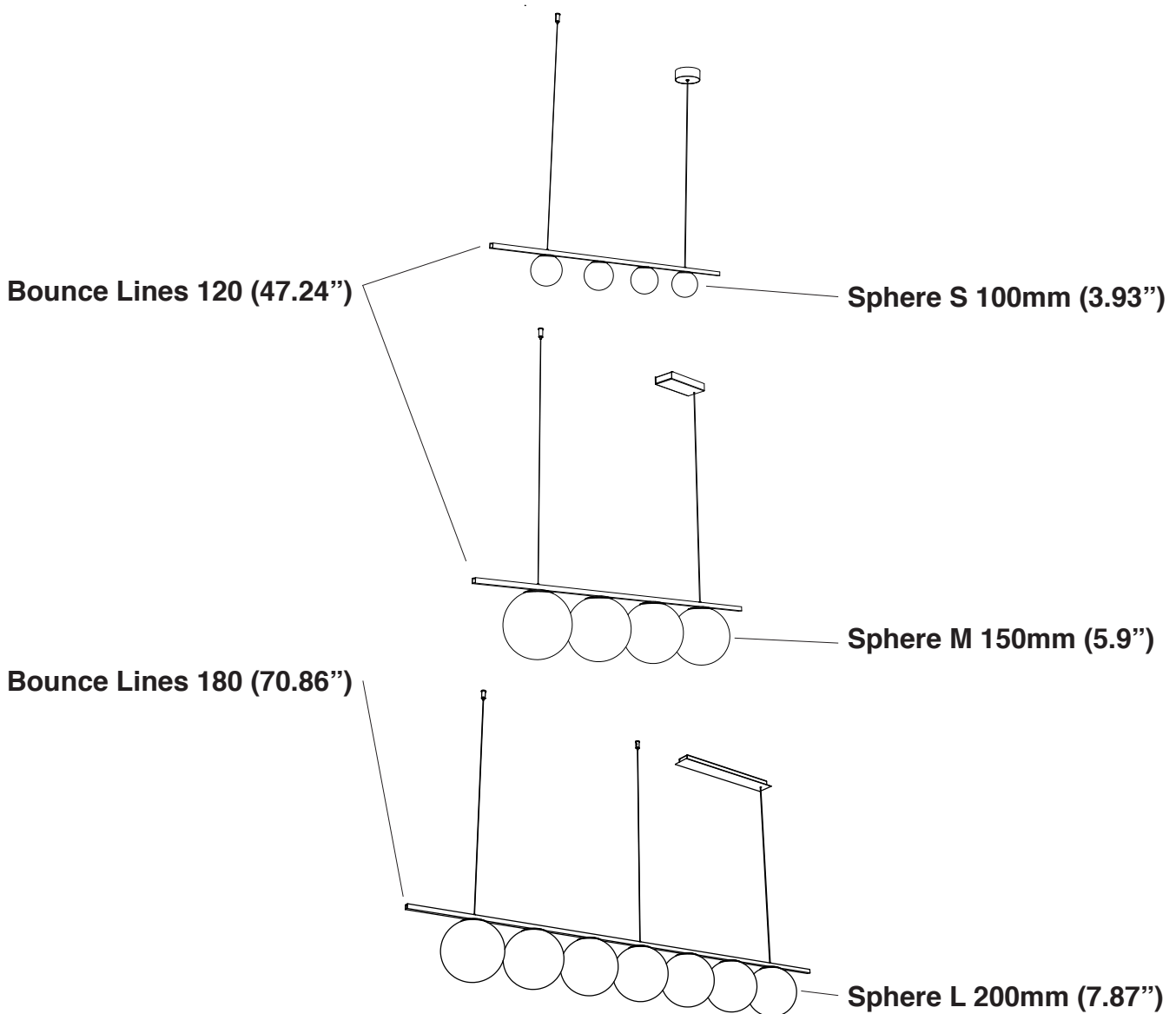
Bounce Lines is available in two structural sizes with an additional choice of three sizes of LED spheres.

**Bounce Lines 120:** Length of 120cm (47.24") **Sphere S:** Diameter of 100mm (3.93")

**Bounce Lines 180:** Length of 180cm (70.86") **Sphere M:** Diameter of 150mm (5.9")

**Sphere L:** Diameter of 200mm (7.87")

The height (thickness) of the Lines structure is 12mm (0.47")



SPECIFICATION SHEET

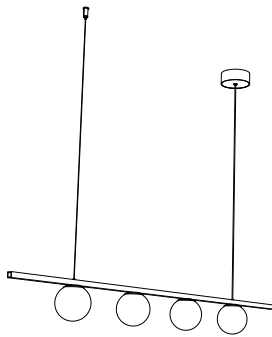
# BOUNCE LINES™

SUSPENSION

TYPE:

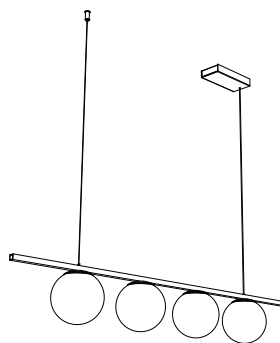
PROJECT NAME:

## BOUNCE LINES 120 -S-



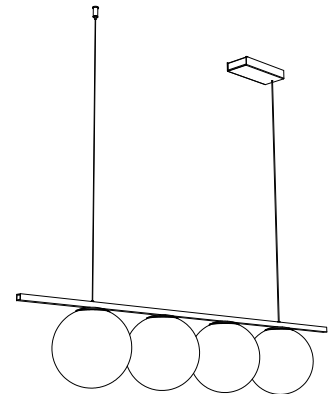
LAMP TYPE	LED
COLOUR TEMP.	2700K
WATTAGE	4x2W
VOLTAGE	22.4V - 350mA

## BOUNCE LINES 120 -M-



LAMP TYPE	LED
COLOUR TEMP.	2700K
WATTAGE	4x4W
VOLTAGE	44.4V - 350mA

## BOUNCE LINES 120 -L-



LAMP TYPE	LED
COLOUR TEMP.	2700K
WATTAGE	4x10W
VOLTAGE	111.2V - 350mA

### ORDER CODE

BLACK	L30T111H25DZL
BRONZE	L30T111H25DOE
BRUSHED BRASS	L30T111H25DLB
WHITE	L30T111H25DWL

### ORDER CODE

BLACK	L30T111H26DZL
BRONZE	L30T111H26DOE
BRUSHED BRASS	L30T111H26DLB
WHITE	L30T111H26DWL

### ORDER CODE

BLACK	L30T111H27DZL
BRONZE	L30T111H27DOE
BRUSHED BRASS	L30T111H27DLB
WHITE	L30T111H27DWL

SPECIFICATION SHEET

### ORDERING INFO

Model (Order Code)	LED	Driver Options
	<input type="radio"/> 2700K	<input type="radio"/> 120V Phase Dimming
		<input type="radio"/> 120V 0-10V Dimming
		<input type="radio"/> 277V 0-10V Dimming



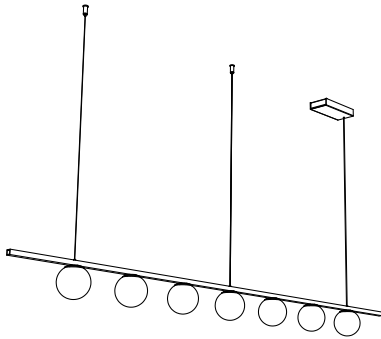
# BOUNCE LINES™

SUSPENSION

TYPE:

PROJECT NAME:

## BOUNCE LINES 180 -S-

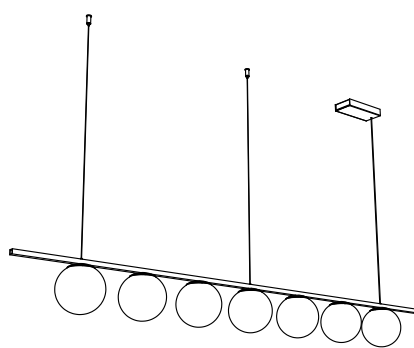


LAMP TYPE	LED
COLOUR TEMP.	2700K
WATTAGE	7x2W
VOLTAGE	39.2V - 350mA

### ORDER CODE

BLACK	L30T111H28DZL
BRONZE	L30T111H28DOE
BRUSHED BRASS	L30T111H28DLB
WHITE	L30T111H28DWL

## BOUNCE LINES 180 -M-

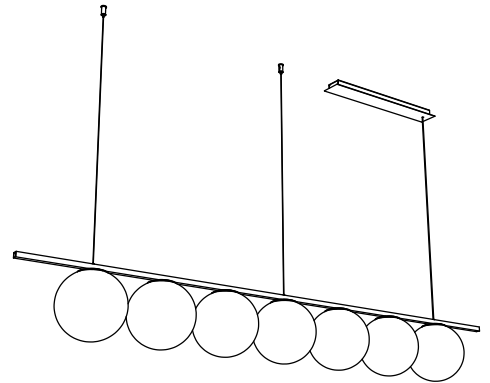


LAMP TYPE	LED
COLOUR TEMP.	2700K
WATTAGE	7x4W
VOLTAGE	77.7V - 350mA

### ORDER CODE

BLACK	L30T111H29DZL
BRONZE	L30T111H29DOE
BRUSHED BRASS	L30T111H29DLB
WHITE	L30T111H29DWL

## BOUNCE LINES 180 -L-



LAMP TYPE	LED
COLOUR TEMP.	2700K
WATTAGE	7x10W
VOLTAGE	194.6V - 350mA

### ORDER CODE

BLACK	L30T111H30DZL
BRONZE	L30T111H30DOE
BRUSHED BRASS	L30T111H30DLB
WHITE	L30T111H30DWL

SPECIFICATION SHEET

### ORDERING INFO

Model (Order Code)	LED	Driver Options
	<input type="radio"/> 2700K	<input type="radio"/> 120V Phase Dimming
		<input type="radio"/> 120V 0-10V Dimming
		<input type="radio"/> 277V 0-10V Dimming

