

BOUNCE™

SUSPENSION

TYPE:

PROJECT NAME:



SPECIFICATION SHEET

BOUNCE

DESIGNED BY GLENN MARYS

Luminart®

WWW.LUMINARTLIGHTING.COM

BOUNCE™

SUSPENSION

TYPE:

PROJECT NAME:

DIMENSIONS

Bounce is available in three sizes of rings with an additional choice of three sizes of LED spheres.

Ring 475: Diameter of 475mm (18.7")

Ring 675: Diameter of 675mm (26.6")

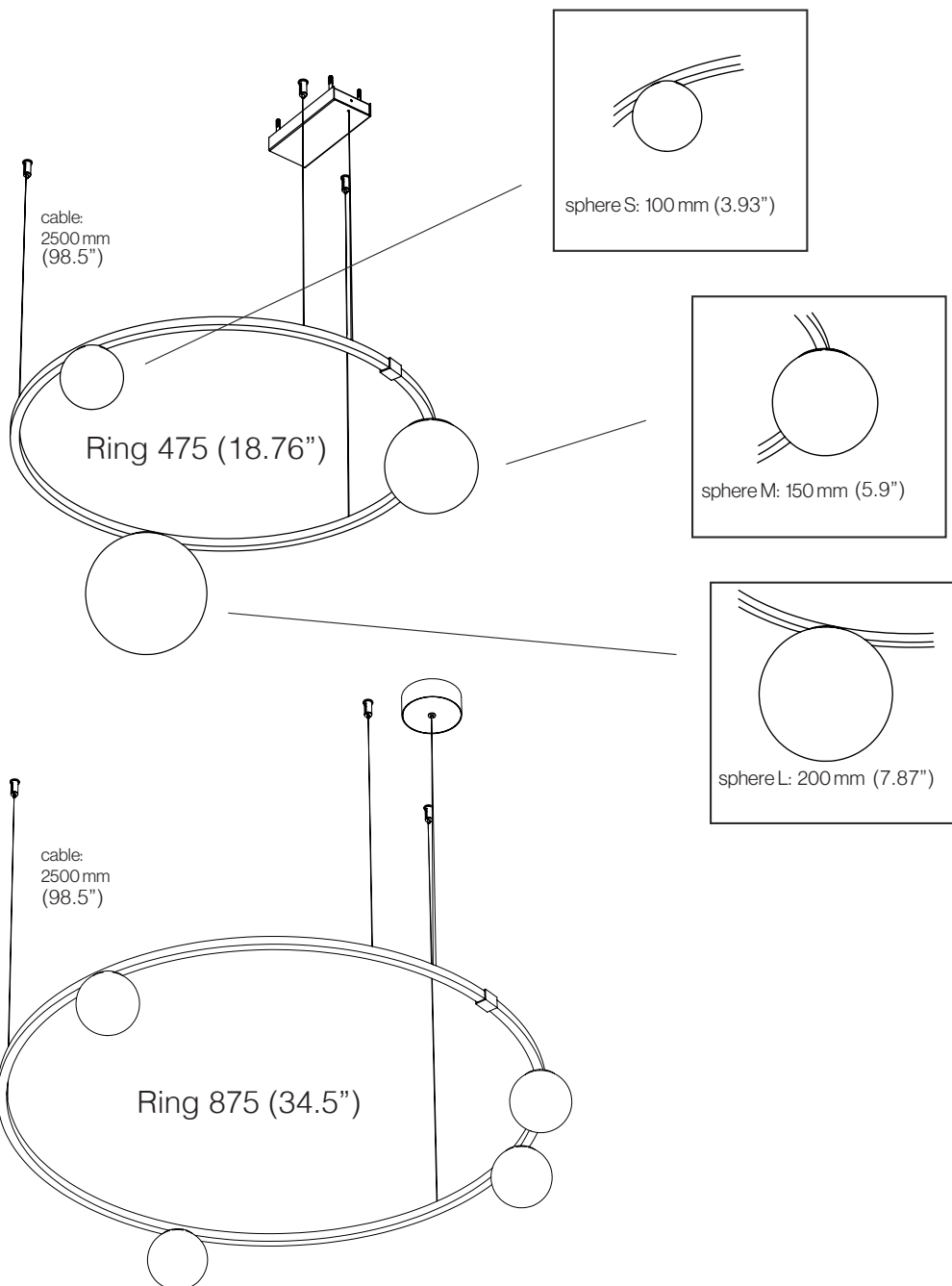
Ring 875: Diameter of 875mm (34.5")

The height (thickness) of the rings is 12mm (0.47")

Sphere S: Diameter of 100mm (3.93")

Sphere M: Diameter of 150mm (5.9")

Sphere L: Diameter of 200mm (7.87")



SPECIFICATION SHEET

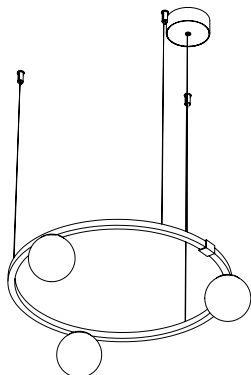
BOUNCE™

SUSPENSION

TYPE:

PROJECT NAME:

BOUNCE 475 -3S-

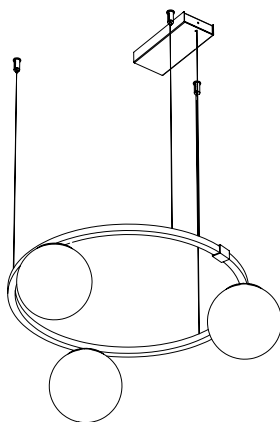


LAMP TYPE	LED
COLOUR TEMP.	2700K
WATTAGE	3x2W
VOLTAGE	17V - 350mA

ORDER CODE

BLACK	L30T111H1DZL
BRONZE	L30T111H1DOE
BRUSHED BRASS	L30T111H1DLB
WHITE	L30T111H1DWL

BOUNCE 475 -3M-

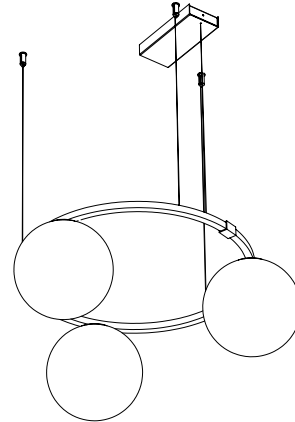


LAMP TYPE	LED
COLOUR TEMP.	2700K
WATTAGE	3x4W
VOLTAGE	34V - 350mA

ORDER CODE

BLACK	L30T111H2DZL
BRONZE	L30T111H2DOE
BRUSHED BRASS	L30T111H2DLB
WHITE	L30T111H2DWL

BOUNCE 475 -3L-



LAMP TYPE	LED
COLOUR TEMP.	2700K
WATTAGE	3x10W
VOLTAGE	84V - 350mA

ORDER CODE

BLACK	L30T111H3DZL
BRONZE	L30T111H3DOE
BRUSHED BRASS	L30T111H3DLB
WHITE	L30T111H3DWL

SPECIFICATION SHEET

ORDERING INFO

Model (Order Code)

LED

Driver Options

2700K

120V Phase Dimming

120V 0-10V Dimming

277V 0-10V Dimming



Luminart®

WWW.LUMINARTLIGHTING.COM

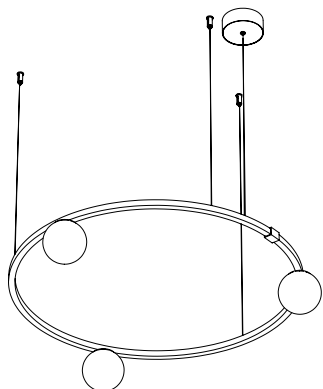
BOUNCE™

SUSPENSION

TYPE:

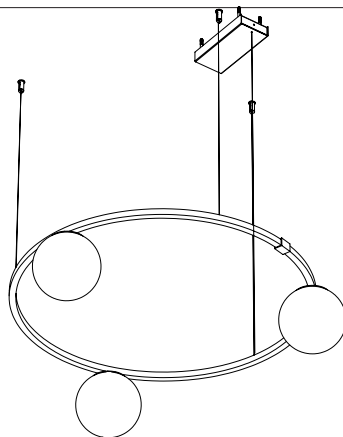
PROJECT NAME:

BOUNCE 675 -3S-



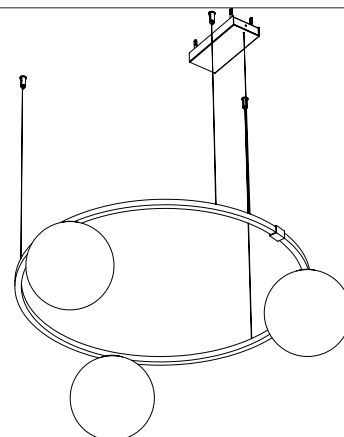
LAMP TYPE	LED
COLOUR TEMP.	2700K
WATTAGE	3x2W
VOLTAGE	17V - 350mA

BOUNCE 675 -3M-



LAMP TYPE	LED
COLOUR TEMP.	2700K
WATTAGE	3x4W
VOLTAGE	34V - 350mA

BOUNCE 675 -3L-



LAMP TYPE	LED
COLOUR TEMP.	2700K
WATTAGE	3x10W
VOLTAGE	84V - 350mA

ORDER CODE

BLACK	L30T111H5DZL
BRONZE	L30T111H5DOE
BRUSHED BRASS	L30T111H5DLB
WHITE	L30T111H5DWL

ORDER CODE

BLACK	L30T111H6DZL
BRONZE	L30T111H6DOE
BRUSHED BRASS	L30T111H6DLB
WHITE	L30T111H6DWL

ORDER CODE

BLACK	L30T111H7DZLD
BRONZE	L30T111H7DOED
BRUSHED BRASS	L30T111H7DLBD
WHITE	L30T111H7DWLD

SPECIFICATION SHEET

ORDERING INFO

Model (Order Code)	LED	Driver Options
	<input type="radio"/> 2700K	<input type="radio"/> 120V Phase Dimming
		<input type="radio"/> 120V 0-10V Dimming
		<input type="radio"/> 277V 0-10V Dimming



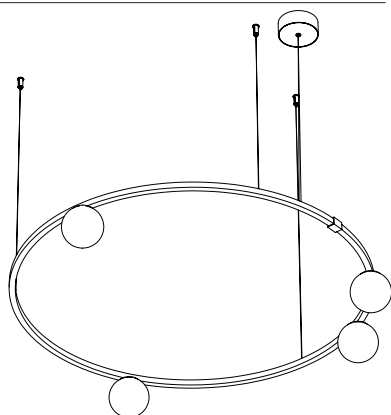
BOUNCE™

SUSPENSION

TYPE:

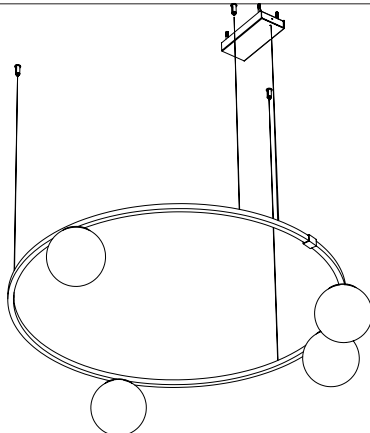
PROJECT NAME:

BOUNCE 875 -4S-



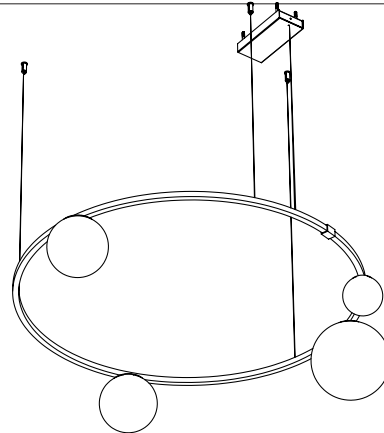
LAMP TYPE	LED
COLOUR TEMP.	2700K
WATTAGE	4x2W
VOLTAGE	24V - 350mA

BOUNCE 875 -4M-



LAMP TYPE	LED
COLOUR TEMP.	2700K
WATTAGE	4x4W
VOLTAGE	45V - 350mA

BOUNCE 875 -SMML-



LAMP TYPE	LED
COLOUR TEMP.	2700K
WATTAGE	2W/4W/4W/10W
VOLTAGE	56V - 350mA

ORDER CODE

BLACK	L30T111H9DZL
BRONZE	L30T111H9DOE
BRUSHED BRASS	L30T111H9DLB
WHITE	L30T111H9DWL

ORDER CODE

BLACK	L30T111H10DZLD
BRONZE	L30T111H10DOED
BRUSHED BRASS	L30T111H10DLBD
WHITE	L30 T111H10DWLD

ORDER CODE

BLACK	L30T111H11DZLD
BRONZE	L30T111H11DOED
BRUSHED BRASS	L30T111H11DLBD
WHITE	L30T111H11DWLD

SPECIFICATION SHEET

ORDERING INFO

Model (Order Code)

Driver Options

- 120V Phase Dimming
- 120V 0-10V Dimming
- 277V 0-10V Dimming



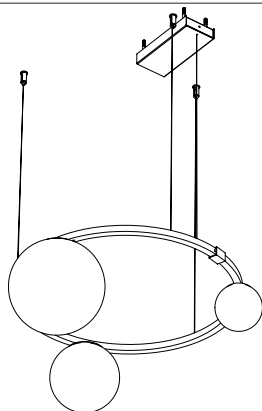
BOUNCE™

SUSPENSION

TYPE:

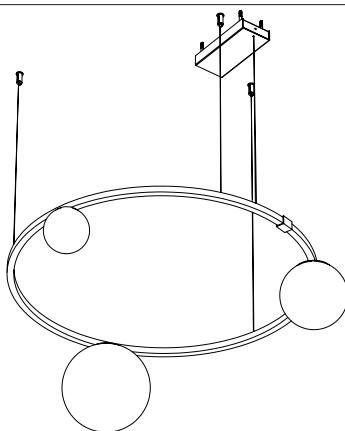
PROJECT NAME:

BOUNCE 475 -SML-



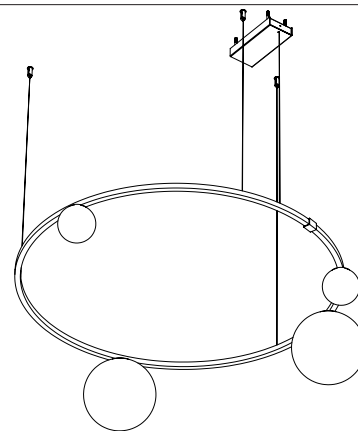
LAMP TYPE	LED
COLOUR TEMP.	2700K
WATTAGE	2W/4W/10W
VOLTAGE	46V - 350mA

BOUNCE 675 -SML-



LAMP TYPE	LED
COLOUR TEMP.	2700K
WATTAGE	2W/4W/10W
VOLTAGE	45V - 350mA

BOUNCE 875 -SSLL-



LAMP TYPE	LED
COLOUR TEMP.	2700K
WATTAGE	2W/2W/10W/10W
VOLTAGE	67V - 350mA

ORDER CODE

BLACK	L30T111H4DZL
BRONZE	L30T111H4DOE
BRUSHED BRASS	L30T111H4DLB
WHITE	L30T111H4DWL

ORDER CODE

BLACK	L30T111H8DZL
BRONZE	L30T111H8DOE
BRUSHED BRASS	L30T111H8DLB
WHITE	L30T111H8DWL

ORDER CODE

BLACK	L30T111H12DZLD
BRONZE	L30T111H12DOED
BRUSHED BRASS	L30T111H12DLBD
WHITE	L30T111H12DWLD

SPECIFICATION SHEET

ORDERING INFO

Model (Order Code)

Driver Options

- 120V Phase Dimming
- 120V 0-10V Dimming
- 277V 0-10V Dimming

