

# BOW™ SPH

SUSPENSION

TYPE:

PROJECT NAME:



SPECIFICATION SHEET

## BOW SPH

DESIGNED BY DAVID DOLCINI

**Luminart®**

WWW.LUMINARTLIGHTING.COM

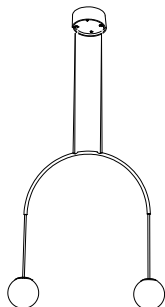
# BOW™ SPH

## SUSPENSION

TYPE:

PROJECT NAME:

BOW SPH I S

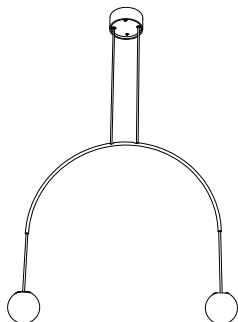


LAMP TYPE	RETROFIT LED
FITTING	G9
WATTAGE	2x5W
VOLTAGE	120V
CLASS	1

**ORDER CODE**

BLACK	L30T97SH1IZL
BRUSHED BRASS	L30T97SH1ILB

BOW SPH I M

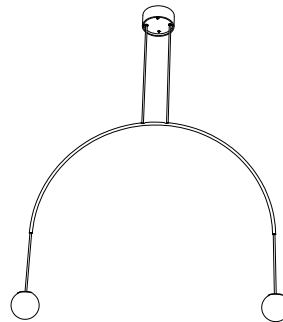


LAMP TYPE	RETROFIT LED
FITTING	G9
WATTAGE	2x5W
VOLTAGE	120V
CLASS	1

**ORDER CODE**

BLACK	L30T97SH2IZL
BRUSHED BRASS	L30T97SH2ILB

BOW SPH I L

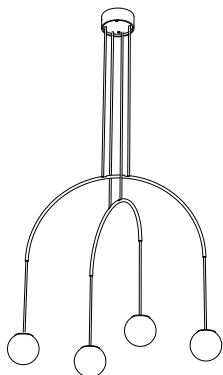


LAMP TYPE	RETROFIT LED
FITTING	G9
WATTAGE	2x5W
VOLTAGE	120V
CLASS	1

**ORDER CODE**

BLACK	L30T97SH3IZL
BRUSHED BRASS	L30T97SH3ILB

BOW SPH II S+M

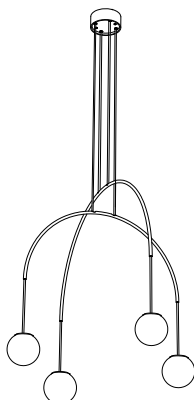


LAMP TYPE	RETROFIT LED
FITTING	G9
WATTAGE	4x5W
VOLTAGE	120V
CLASS	1

**ORDER CODE**

BLACK	L30T97SH4IZL
BRUSHED BRASS	L30T97SH4ILB

BOW SPH II M+L

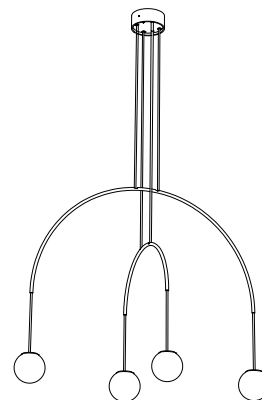


LAMP TYPE	RETROFIT LED
FITTING	G9
WATTAGE	4x5W
VOLTAGE	120V
CLASS	1

**ORDER CODE**

BLACK	L30T97SH5IZL
BRUSHED BRASS	L30T97SH5ILB

BOW SPH II L+S



LAMP TYPE	RETROFIT LED
FITTING	G9
WATTAGE	4x5W
VOLTAGE	120V
CLASS	1

**ORDER CODE**

BLACK	L30T97SH6IZL
BRUSHED BRASS	L30T97SH6ILB

SPECIFICATION SHEET

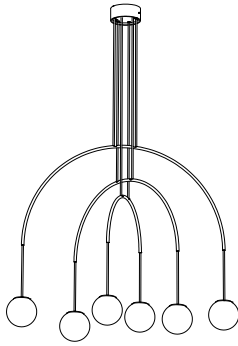
# BOW™ SPH

## SUSPENSION

TYPE:

PROJECT NAME:

BOW SPH III S+M+L

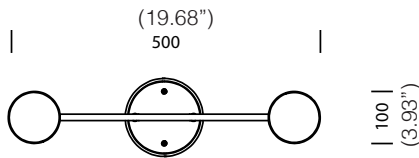
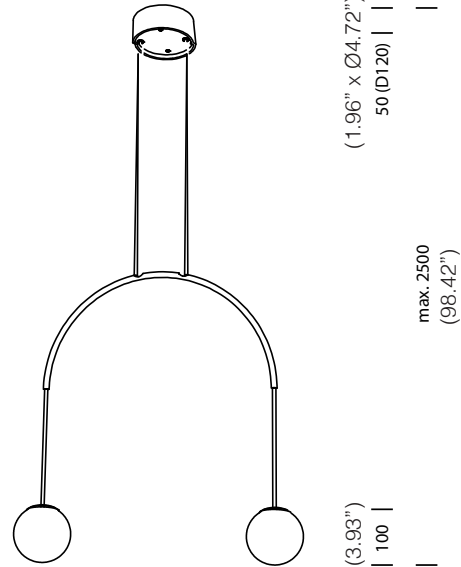


LAMP TYPE	RETROFIT LED
FITTING	G9
WATTAGE	6x5W
VOLTAGE	120V
CLASS	1

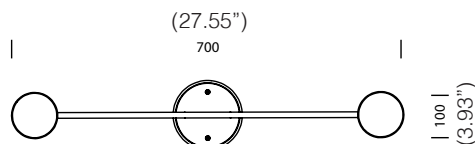
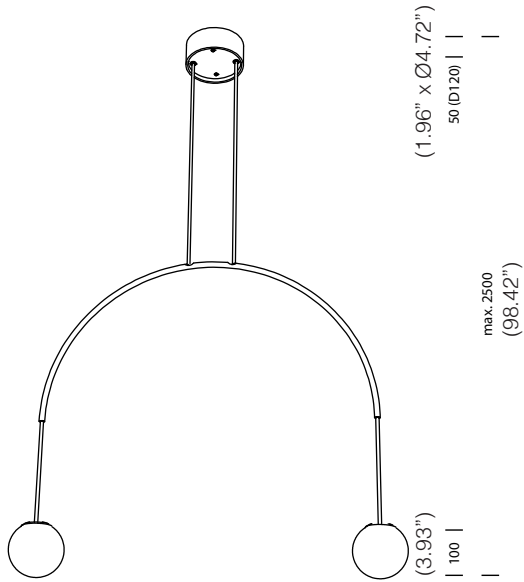
ORDER CODE

BLACK	L30T97SH7IZL
BRUSHED BRASS	L30T97SH7ILB

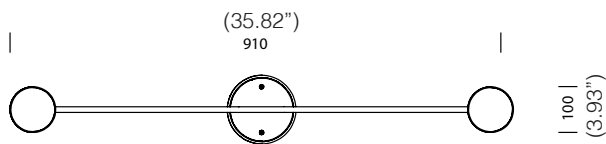
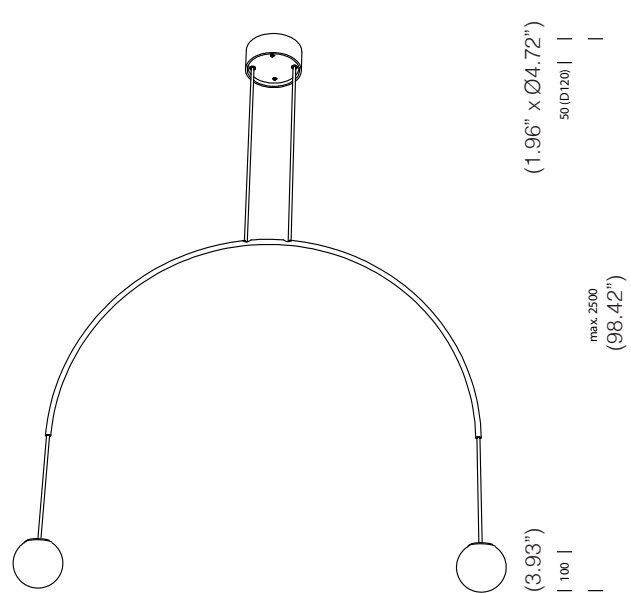
BOW SPH I S



BOW SPH I M



BOW SPH I L



SPECIFICATION SHEET