

# BUSSOLED™

BI-FINISH

TYPE:

PROJECT NAME:



## ■ BUSSOLED

*Available in two different sizes and in multiple configurations, this hanging luminaire has a housing made from epoxy powder coated finish aluminum stabilized with UV rays and it is equipped with a Chip On Board technology high efficiency LED light source. Complete with cables for suspension in galvanized steel with a 1.2 mm diameter, 200 cm of electrical cable and ceiling attachment in painted steel. The degree of protection against the penetration of dust, solid objects and liquids is IP40.*

SPECIFICATION SHEET

**Luminart®**

WWW.LUMINARTLIGHTING.COM


# BUSSOLED™ SMALL


BI-FINISH WITH DIFFUSER LENS

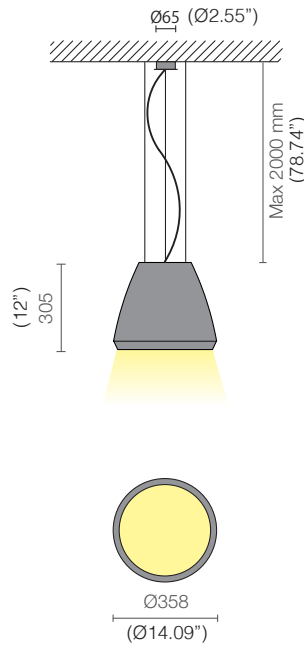
TYPE:

PROJECT NAME:

## BUSSOLED SMALL BI-FINISH WITH DIFFUSER LENS

code	W	Lm (3000K)	 Frosted white	lifetime
<b>L258633.25...</b>	25	3530	85°	75.000h L80/B10
<b>L258633.37...</b>	37	5165	85°	75.000h L80/B10

AL	included
	(see table)
TC	.30 per 3000K / .40 per 4000K
IP	40
CRI	>80 (CRI93 and CRI97 on request)
SDCM	3
EEL	A++
RG	1
08 08	Frosted white - Frosted white
08 13	Frosted white - Gold
02 08	Black - Frosted white
02 13	Black - Gold



SPECIFICATION SHEET

### ORDERING INFO

Model (Order Code)	Exterior Finish / Interior Finish	LED	Remote Driver Options
	<input type="radio"/> 08 White / 08 White	<input type="radio"/> 3000K	<input type="radio"/> 120V Phase Dimming
	<input type="radio"/> 08 White / 13 Gold	<input type="radio"/> 4000K	<input type="radio"/> 120V 0-10V Dimming
	<input type="radio"/> 02 Black / 08 White		<input type="radio"/> 277V 0-10V Dimming
	<input type="radio"/> 02 Black / 13 Gold		



Fixture comes with a 4" backplate that mounts to a standard junction box.

**Luminart®**

WWW.LUMINARTLIGHTING.COM


# BUSSOLED™ SMALL


BI-FINISH

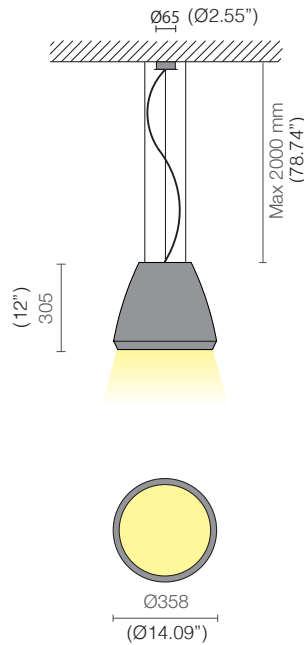
TYPE:

PROJECT NAME:

## BUSSOLED SMALL BI-FINISH

code	W	Lm (3000K)	 Frosted white	lifetime
<b>L258634.25...</b>	25	3530	85°	75.000h L80/B10
<b>L258634.37...</b>	37	5165	85°	75.000h L80/B10

AL	included
	(see table)
TC	.30 per 3000K / .40 per 4000K
IP	40
CRI	>80 (CRI93 and CRI97 on request)
SDCM	3
EEL	A++
RG	1
08 08	Frosted white - Frosted white
08 13	Frosted white - Gold
02 08	Black - Frosted white
02 13	Black - Gold



SPECIFICATION SHEET

### ORDERING INFO

Model (Order Code)	Exterior Finish / Interior Finish	LED	Remote Driver Options
	<input type="radio"/> 08 White / 08 White	<input type="radio"/> 3000K	<input type="radio"/> 120V Phase Dimming
	<input type="radio"/> 08 White / 13 Gold	<input type="radio"/> 4000K	<input type="radio"/> 120V 0-10V Dimming
	<input type="radio"/> 02 Black / 08 White		<input type="radio"/> 277V 0-10V Dimming
	<input type="radio"/> 02 Black / 13 Gold		



Fixture comes with a 4" backplate that mounts to a standard junction box.

**Luminart®**

WWW.LUMINARTLIGHTING.COM


# BUSSOLED™ LARGE


BI-FINISH WITH DIFFUSER LENS

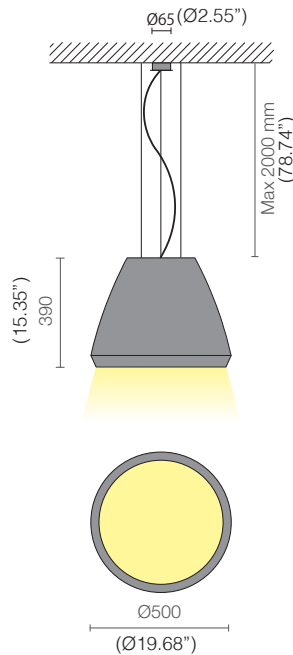
TYPE:

PROJECT NAME:

## BUSSOLED LARGE BI-FINISH WITH DIFFUSER LENS

code	W	Lm (3000K)	 Frosted white	lifetime
<b>L258643.25...</b>	25	3530	85°	75.000h L80/B10
<b>L258643.37...</b>	37	5165	85°	75.000h L80/B10

AL	included
	(see table)
TC	.30 per 3000K / .40 per 4000K
IP	40
CRI	>80 (CRI93 and CRI97 on request)
SDCM	3
EEL	A++
RG	1
08 08	Frosted white - Frosted white
08 13	Frosted white - Gold
02 08	Black - Frosted white
02 13	Black - Gold



SPECIFICATION SHEET

### ORDERING INFO

Model (Order Code)	Exterior Finish / Interior Finish	LED	Remote Driver Options
	<input type="radio"/> 08 White / 08 White	<input type="radio"/> 3000K	<input type="radio"/> 120V Phase Dimming
	<input type="radio"/> 08 White / 13 Gold	<input type="radio"/> 4000K	<input type="radio"/> 120V 0-10V Dimming
	<input type="radio"/> 02 Black / 08 White		<input type="radio"/> 277V 0-10V Dimming
	<input type="radio"/> 02 Black / 13 Gold		



Fixture comes with a 4" backplate that mounts to a standard junction box.

**Luminart®**

WWW.LUMINARTLIGHTING.COM


# BUSSOLED™ LARGE


BI-FINISH

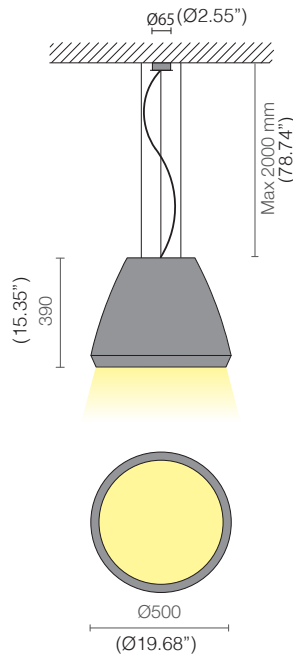
TYPE:

PROJECT NAME:

## BUSSOLED LARGE BI-FINISH

code	W	Lm (3000K)	 Frosted white	lifetime
<b>L258644.25...</b>	25	3530	85°	75.000h L80/B10
<b>L258644.37...</b>	37	5165	85°	75.000h L80/B10
<b>L258644.50...</b>	50	7215	85°	60.000h L80/B10

AL	included
	(see table)
TC	.30 per 3000K / .40 per 4000K
IP	40
CRI	>80 (CRI93 and CRI97 on request)
SDCM	3
EEL	A++
RG	1
08 08	Frosted white - Frosted white
08 13	Frosted white - Gold
02 08	Black - Frosted white
02 13	Black - Gold



SPECIFICATION SHEET

### ORDERING INFO

Model (Order Code)	Exterior Finish / Interior Finish	LED	Remote Driver Options
	<input type="radio"/> 08 White / 08 White	<input type="radio"/> 3000K	<input type="radio"/> 120V Phase Dimming
	<input type="radio"/> 08 White / 13 Gold	<input type="radio"/> 4000K	<input type="radio"/> 120V 0-10V Dimming
	<input type="radio"/> 02 Black / 08 White		<input type="radio"/> 277V 0-10V Dimming
	<input type="radio"/> 02 Black / 13 Gold		



Fixture comes with a 4" backplate that mounts to a standard junction box.

**Luminart®**

WWW.LUMINARTLIGHTING.COM