

CANTHUS™

POLE

TYPE:

PROJECT NAME:



SPECIFICATION SHEET

Luminart®

WWW.LUMINARTLIGHTING.COM

CANTHUS™

POLE

TYPE:

PROJECT NAME:

Structure

Ø 360 mm (14.17") light fixture in low copper content die-cast aluminum.
Anti UV polycarbonate diffuser and lenticular opal screen. Ø 76 mm (2.99") pole in hot-dip galvanized steel, electro-welded, with Ø 60 mm (2.36") top pole reduction.



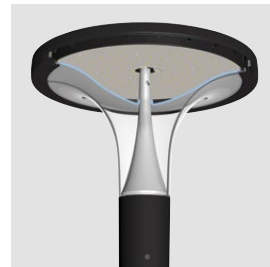
Cabling

Easier cabling to cover panel thanks to the 2x1 cable, 2.30 m (90.55") long; further pull down M16 entry for additional cabling.



Perfect coupling

Harmonious combination of CANTHUS top with Ø 76 mm (2.99") pole (with Ø 60 mm top pole reduction) in the same finish.



Lenticular screen

Especially designed to grant at the same time high efficiency and maximum visual comfort.



Versatile adaptability

CANTHUS can be installed on any type of Ø 60 mm (2.36") pole available on the market.

SPECIFICATION SHEET

CANTHUS™

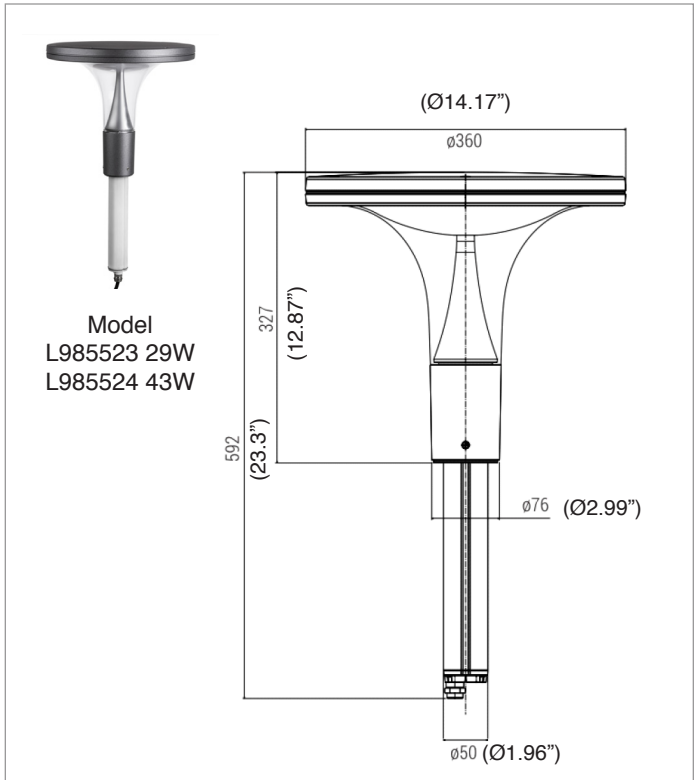
POLE

TYPE:

PROJECT NAME:



Outdoor lighting fixture for pole mounting. Structure in low copper content die-cast aluminum. UV-resistant polycarbonate diffuser and opalized lenticular screen for maximum visual comfort.



Power input: 29W or 43W

Light emission direction: Direct

Pole Options:

Steel Pole 3000mm (118.11"), Steel Pole 3500mm (137.79")
(see dimension on the next page)

Materials: Aluminum structure

Electrical: High efficiency electronic power supply, rated 50,000 hours 120V-277V

Dimming: Power supply compatible with 0-10V or LTE dimming

Cable: Easier cabling to cover panel thanks to the 2x1 cable, 2.30 m (90.55") long; further pull down M16 entry for additional cabling

Structure finish: Anthracite



Light source: LED

2700K: 80CRI
3000K: 80CRI
4000K: 80CRI

Source lumens: 29W: 4400 lm, 43W: 6400 lm

Lumen Output: 29W: 2420 lm, 43W: 3658 lm

SPECIFICATION SHEET

ORDERING INFO

Model (Order Code)	Structure Finish	Pole Mounting Option*	LED	Driver Options
<input type="radio"/> L985523 29W	<input type="radio"/> AN: Anthracite	<input type="radio"/> L983504: Pole 3000 (118.11")	<input type="radio"/> 2700K	<input type="radio"/> 120V Phase Dimming
<input type="radio"/> L985524 43W		<input type="radio"/> L983505: Pole 3500 (137.79")	<input type="radio"/> 3000K	<input type="radio"/> 120V 0-10V Dimming
			<input type="radio"/> 4000K	<input type="radio"/> 277V 0-10V Dimming



*See pole mounting options on next page.

CANTHUS™

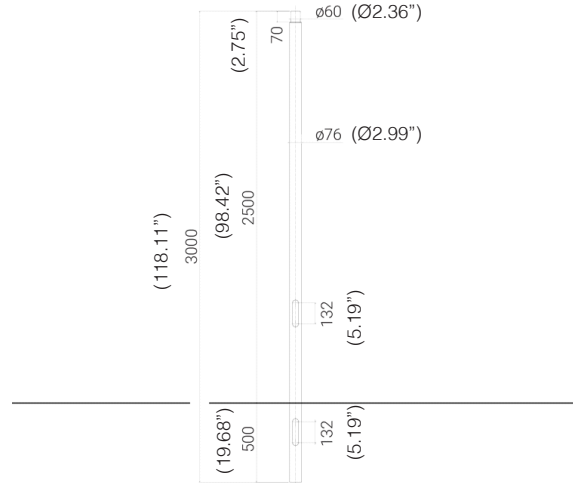
POLE

TYPE:

PROJECT NAME:

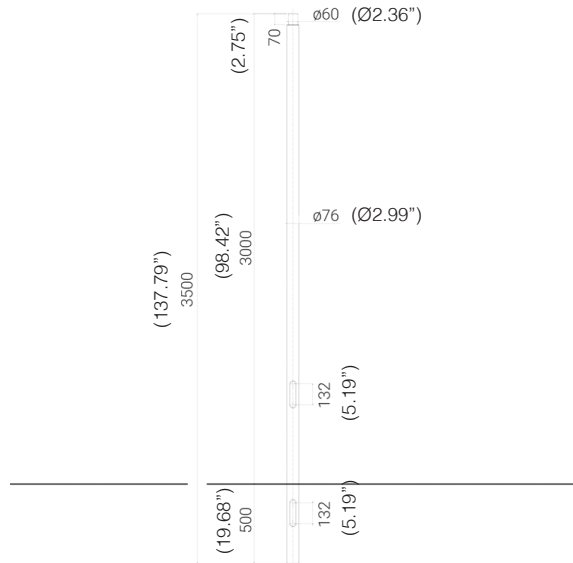
CODE NO. L983504 **AN** AN = Anthracite

Ø 76 mm
(Ø 2.99")
H 2500 / 3000 mm
(98.42"/118.11")



CODE NO. L983505 **AN** AN = Anthracite

Ø 76 mm
(Ø 2.99")
H 3000 / 3500 mm
(98.42"/137.79")



SPECIFICATION SHEET