

STEP 1 ASSEMBLY

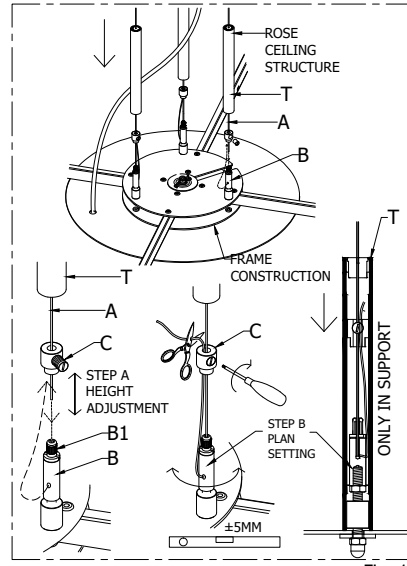


Fig. 1

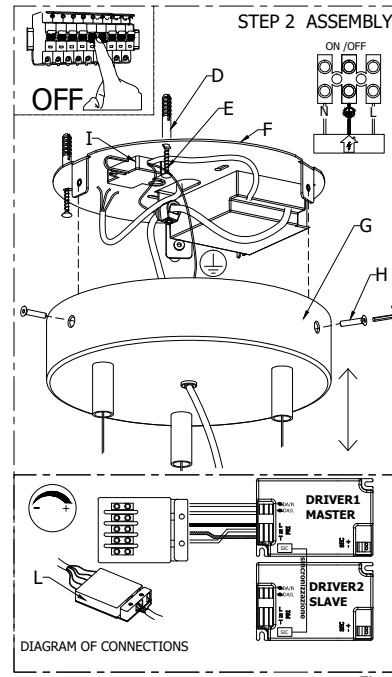


Fig. 2

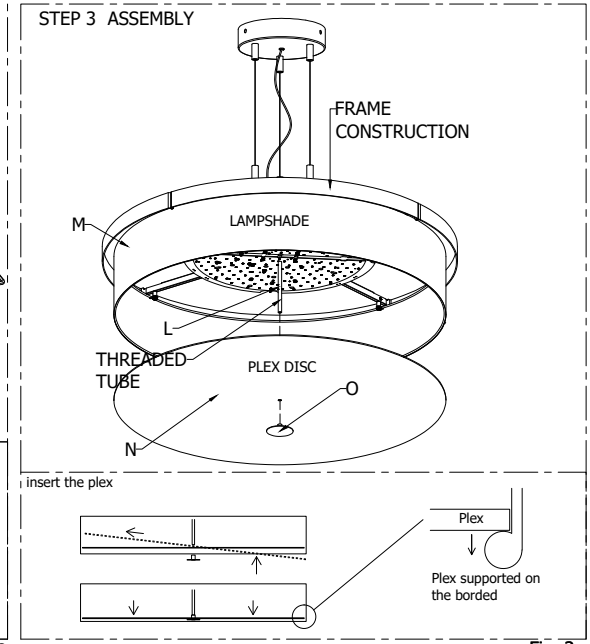


Fig. 3

**INSTRUCTION**

- Disconnect the power source.

**STEP 1**

- Assemble the steel cables of the ceiling rose to the frame.(FIG. 1)

-Insert the steel cables (A) into the grippers (B).

Step A: Adjust the length of the cable keeping the detail (B1) of the gripper pressed so that the steel cable runs. Secure the cable to the terminal (C).

Step B: adjust by screwing or unscrewing the gripper (B), ± 5MM so that the frame remains level (FIG.1)

- Rest the details (T), to the structure.

**STEP 2**

- Fix the bracket (F) with screw (E) and dowels (D) on the ceiling.(FIG.2)

-ON -OFF VERSION Connect the network cable into the driver (F) according to the polarity.(FIG.2)

-DIMMABLE VERSION Connect the network cable into the terminal (L) according to the polarity.

-DIAGRAM OF CONNECTIONS DIMMABLE see sheet connection.

- Lift the frame and fix the canopy (G), screw the screws to the bracket (F).(FIG.2)

**STEP 3**

- Place the plex (N) inserting it inside the lampshade (M) and then placing it by falling to the inside edge of the lampshade itself, screw the terminal disk (O) to the pipe (L) (FIG.3)

**ATTENTION**

The products of our production are suitable for the using in usual surroundings with standard temperature and humidity levels. All the operations have to be done by a technician.

**CLEANING:**

Switch off the power or pull the plug out.

For the periodical cleaning of the lamp use always gloves and a soft cloth (for glossy surfaces) or a feather duster for the lampshade in fabric or pleated fabric. Don't use aggressive solvents or alcohol.

Avoid absolutely to fold parts which are not expected for folding, in this case welded parts are going to be damaged.

