

CHARLIE™

SUSPENSION

TYPE:

PROJECT NAME:

Finish

Structure color:



Graphite

Fabric diffusers:



Cotton



Velvet

Fabric lampshade,
metal structure



IP20



* on demand

** cable on measure



Canopy detail

SPECIFICATION SHEET

Luminart®

WWW.LUMINARTLIGHTING.COM

CHARLIE™

SUSPENSION

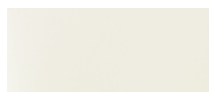
TYPE:

PROJECT NAME:

Diffuser finishes



Cotton



Cod. 300
Ivory



Cod. 301
White



Cod. 302
Sand



Cod. 303
Golden yellow



Cod. 315
Orange



Cod. 328
Gourd



Cod. 305
Lobate pink



Cod. 306
Red



Cod. 327
Lavender



Cod. 320
Mallow



Cod. 321
Periwinkle



Cod. 326
Navy blue



Cod. 319
Teal



Cod. 316
Green



Cod. 323
Sage



Cod. 318
Moss



Cod. 317
Dove colour



Cod. 324
Ecru



Cod. 314
Brown



Cod. 312
Grey



Cod. 310
Anthracite



Cod. 313
Black



Velvet/
Soft velvet



Cod. 450
Ivory



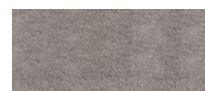
Cod. 451
Pastel purple



Cod. 452
Old Red



Cod. 453
Teal-Green



Cod. 454
Grey

SPECIFICATION SHEET

CHARLIE™

SUSPENSION


TYPE:

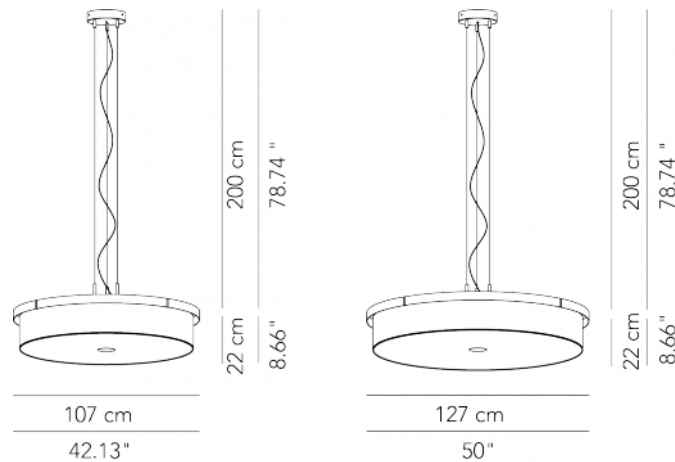
PROJECT NAME:

Pendant lamp - ø 107	ø 107 x 22 cm 25 Kg	lamp type 4xE26 LED 15W	L82CARESP100C01
	ø 107 x 22 cm 25 Kg	lamp type 1 led module 35W luminous efficacy 5600 Lm light colour 2700 K cri >80	L82CARESP100C05
Pendant lamp - ø 127	ø 127 x 22 cm 35 Kg	lamp type 4xE26 LED 15W	L82CARESP130C01
	ø 127 x 22 cm 35 Kg	lamp type 1 led module 35W luminous efficacy 5600 Lm light colour 2700 K cri >80	L82CARESP130C05
	ø 127 x 22 cm 35 Kg	lamp type 1 led module 88.2W luminous efficacy 11780 Lm light colour 2700 K cri >80	L82CARESP130C07

ORDERING INFO

Model (Order Code)	Finish	LED	Voltage	Dimming
		<input type="radio"/> 2700K	<input type="radio"/> 120V	<input type="radio"/> LTE (Leading/Trailing Edge Dim)
		<input type="radio"/> 3000K	<input type="radio"/> 277V	<input type="radio"/> 0-10V (0-10V)
		<input type="radio"/> 4000K		


 Fixture comes with a 4" backplate that mounts to a standard junction box.
 Please note: 277V is only compatible with 0-10V dimming. Screw-in bulbs are only compatible with 120V with LTE dimming.



SPECIFICATION SHEET