

CHARME™

SUSPENSION

TYPE:

PROJECT NAME:

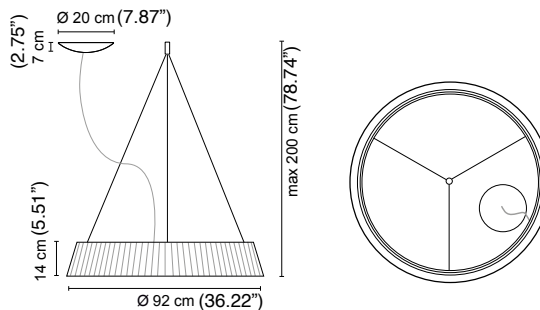


.01 White

L671593

2,50 kg

.01	White
.35	Sand
.42	Dove Grey
/W	LED 37,5W 5000lm 4000K CRI>90
/WW	LED 37,5W 4958lm 3000K CRI>90
/XW	LED 37,5W 4479lm 2700K CRI>90



SPECIFICATION SHEET

Luminart®

WWW.LUMINARTLIGHTING.COM

CHARME™

SUSPENSION

TYPE:

PROJECT NAME:



.35 Sand



.42 Dove Grey

SPECIFICATION SHEET