

# CIRCUS™

ACOUSTIC SUSPENSION

TYPE:

PROJECT NAME:



Diffused light suspension fixture. Curved aluminum structure in matte black, white or painted gold. Built-in flexible LED strip and opal PMMA diffuser. Metal ceiling canopy in matte white, black or painted gold.

SPECIFICATION SHEET

## ORDERING INFO

Model (Order Code)	Structure Finish	Acoustic Fabric	LED	Remote Driver Options
	<input type="radio"/> Matte Black	<i>See page 4</i>	<input type="radio"/> 2700K	<input type="radio"/> 120V 0-10V Dimming
	<input type="radio"/> Matte White		<input type="radio"/> 3000K	<input type="radio"/> 277V 0-10V Dimming
	<input type="radio"/> Painted Gold		<input type="radio"/> 3500K	
			<input type="radio"/> 4000K	



**Luminart®**

WWW.LUMINARTLIGHTING.COM

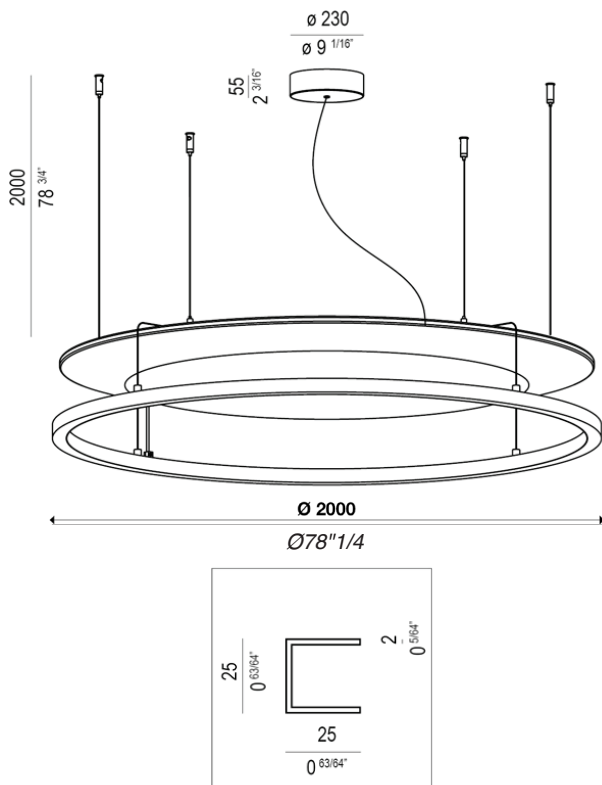
# CIRCUS™

ACOUSTIC SUSPENSION

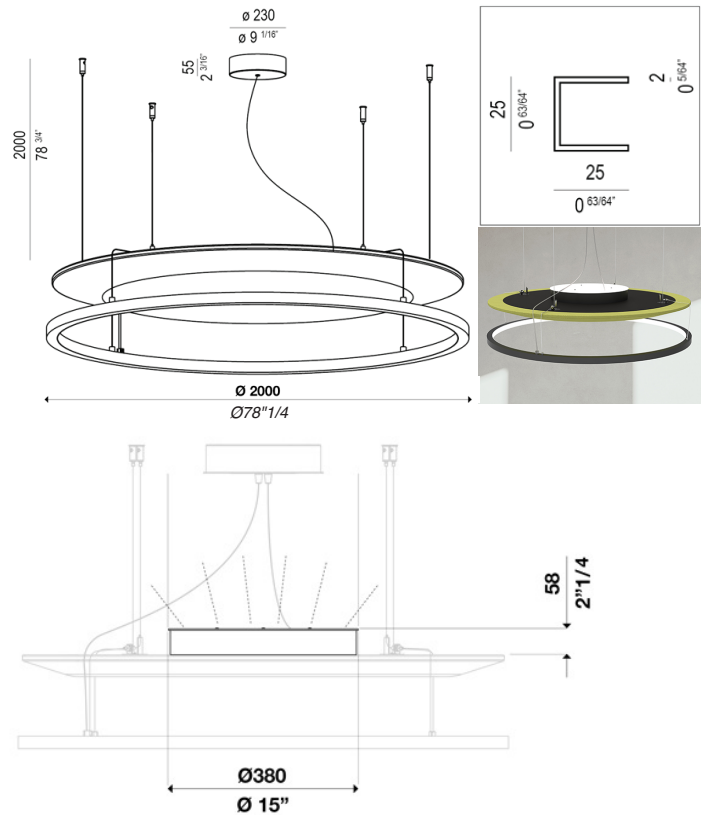
TYPE:

PROJECT NAME:

## Circus Ø200 Downlight



## Circus Ø200 Uplight+Downlight



**Model:** L03S200DI

**Description:** Diffused light hanging luminaire for architectural lighting and acoustic control.

**Application:** Architectural indoor lighting

**Materials:** Aluminum structure, Opal PMMA diffuser

**Structure Finishes:** Matte black, matte white, painted gold

**Acoustic Panel:** Honeycomb polycarbonate acoustic panel with a removable cover in 100% polyester

**Acoustic Fabric:** See page 4

**Light source:** LED 153W, 24V, 19125 Lm. Downward emission. 80CRI. IP20.

**Light control:** Dimmable with 0-10V or TRIAC dimming

**Model:** L03S200INDI

**Description:** Diffused light hanging luminaire for architectural lighting and acoustic control.

**Application:** Architectural indoor lighting

**Materials:** Aluminum structure, Opal PMMA diffuser

**Structure Finishes:** Matte black, matte white, painted gold

**Acoustic Panel:** Honeycomb polycarbonate acoustic panel with a removable cover in 100% polyester

**Acoustic Fabric:** See page 4

**Light source:** LED (153W down, 17W up), 24V, (19125 Lm down, 2240 Lm up). Downward+Upward emission. (80CRI down, 90CRI up). IP20.

**Light control:** Dimmable with 0-10V or TRIAC dimming

SPECIFICATION SHEET

### ORDERING INFO

Model (Order Code)	Structure Finish	Acoustic Fabric	LED	Remote Driver Options
	<input type="radio"/> Matte Black <input type="radio"/> Matte White <input type="radio"/> Painted Gold	See page 4	<input type="radio"/> 2700K <input type="radio"/> 3000K <input type="radio"/> 3500K <input type="radio"/> 4000K	<input type="radio"/> 120V 0-10V Dimming <input type="radio"/> 277V 0-10V Dimming



## Acoustic Panel Fabric Color Options

black  
60999



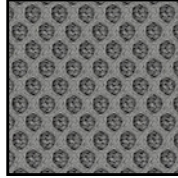
white  
60061



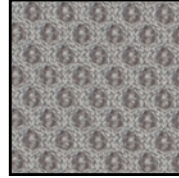
beige  
61128



cool gray  
60011



warm gray  
60165



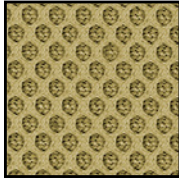
anthracite  
60025



mole  
61110



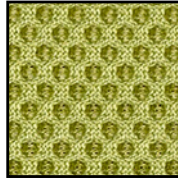
licorice  
62064



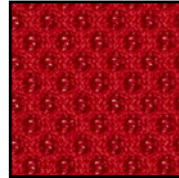
olive  
68108



lime  
68056



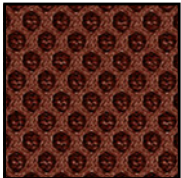
red  
64119



berry  
64089



merlot  
61130



tobacco  
61129



midnight  
66064



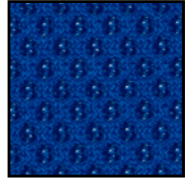
navy  
66123



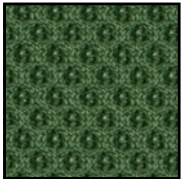
denim  
66140



klein  
66120



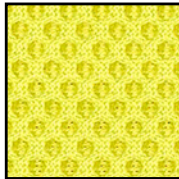
forest green  
68110



green  
68109



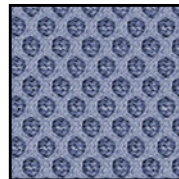
yellow  
68137



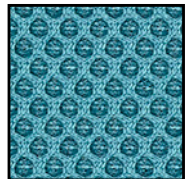
orange  
63034



lilac  
65078



sky  
66063



SPECIFICATION SHEET

### ORDERING INFO

Model (Order Code)

Structure Finish

Fabric Finish

LED

Remote Driver Options

- Matte Black
- Matte White
- Painted Gold

- 2700K
- 3000K
- 3500K
- 4000K

- 120V 0-10V Dimming
- 277V 0-10V Dimming

