

CIRCUS™ MULTIROUND

TYPE:

SUSPENSION

PROJECT NAME:



SPECIFICATION SHEET

Luminart®

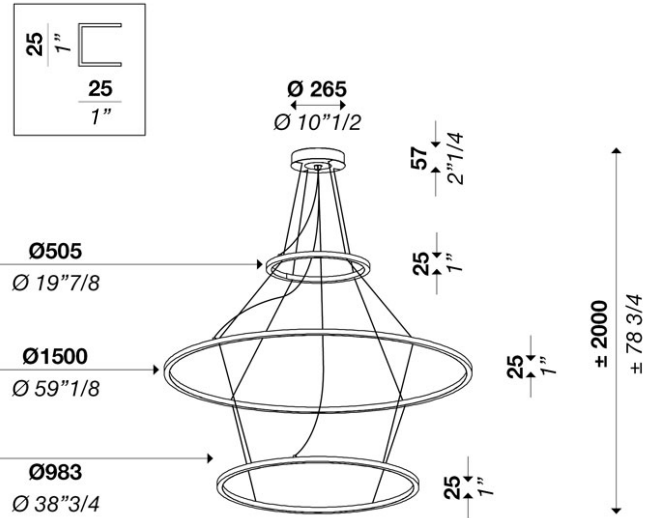
WWW.LUMINARTLIGHTING.COM
Last updated: 12/13/23

CIRCUS™ MULTIROUND

SUSPENSION

TYPE:

PROJECT NAME:



Hanging lamp Ø 1500/1000/500 mm (60"/40"/20") with diffused light. Bent aluminum structure matt white, black or brass coated. Opal polycarbonate or transparent prismatic diffuser. Metal ceiling canopy matt white, black or brass coated. Strip LED.

Power input: 219W

Light emission direction: Diffused

Hanging cables:

Stainless steel cables standard length 2000 mm (78"3/4),
Electric cable standard length 2500 mm (100")

Materials: Aluminum structure, opal polycarbonate diffuser

Electrical: High efficiency electronic power supply, rated 50,000 hours 120V-277V

Dimming: LTE phase dimming or 0-10V

Structure finish: Matt white, matt black, brass



Light source: LED

3000K: 90CRI
4000K: 90CRI

Degree of protection: IP20

Source lumens: 27375 lm

Delivered lumens: 19143 lm

Source efficacy: 125 lm/W

SPECIFICATION SHEET

ORDERING INFO

Model (Order Code)	Structure Finish	LED	Driver Options
<input type="radio"/> L032730340S20100	<input type="radio"/> Matt White <input type="radio"/> Matt Black <input type="radio"/> Brass	<input type="radio"/> 3000K <input type="radio"/> 4000K	<input type="radio"/> 120V Phase Dimming <input type="radio"/> 120V 0-10V Dimming <input type="radio"/> 277V 0-10V Dimming

