

CIRCUS™ OVAL

SUSPENSION

TYPE:

PROJECT NAME:



SPECIFICATION SHEET

Luminart®

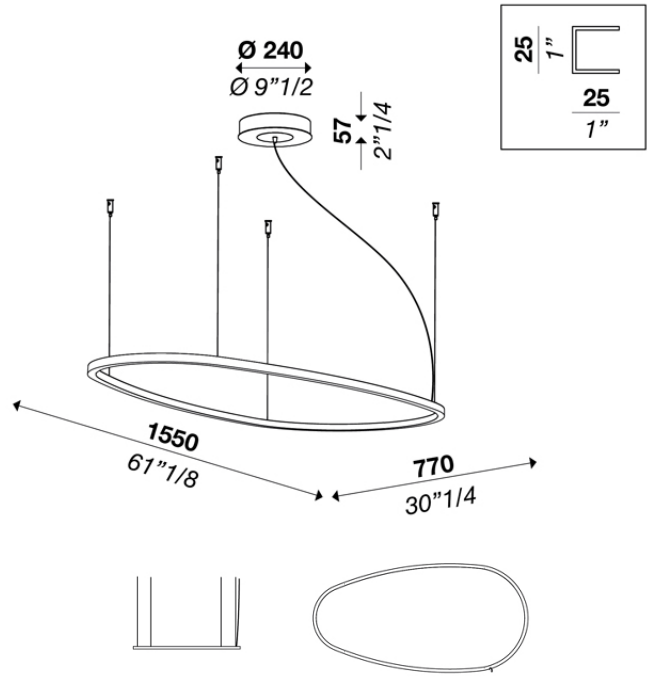
WWW.LUMINARTLIGHTING.COM
Last updated: 12/13/23

CIRCUS™ OVAL 1600

SUSPENSION

TYPE:

PROJECT NAME:



Oval hanging lamp with diffused light. Bent aluminum structure matt white, black or brass coated. Opal polycarbonate or transparent prismatic diffuser. Metal ceiling canopy matt white, black or brass coated. Strip LED.

Power input: 100W

Light emission direction: Diffused

Hanging cables:

Stainless steel cables standard length 2000 mm (78 3/4"), Electric cable standard length 2500 mm (100")

Materials: Opal polycarbonate diffuser

Electrical: High efficiency electronic power supply, rated 50,000 hours 120V-277V

Dimming: LTE phase dimming or 0-10V

Structure finish: Matt white, matt black, brass



Light source: LED

3000K: 90CRI

4000K: 90CRI

Degree of protection: IP20

Source lumens: 12545 lm

Delivered lumens: 8680 lm

Source efficacy: 125 lm/W

SPECIFICATION SHEET

ORDERING INFO

Model (Order Code)	Structure Finish	LED	Driver Options
<input type="radio"/> L032730301S20100	<input type="radio"/> Matt White <input type="radio"/> Matt Black <input type="radio"/> Brass	<input type="radio"/> 3000K <input type="radio"/> 4000K	<input type="radio"/> 120V Phase Dimming <input type="radio"/> 120V 0-10V Dimming <input type="radio"/> 277V 0-10V Dimming

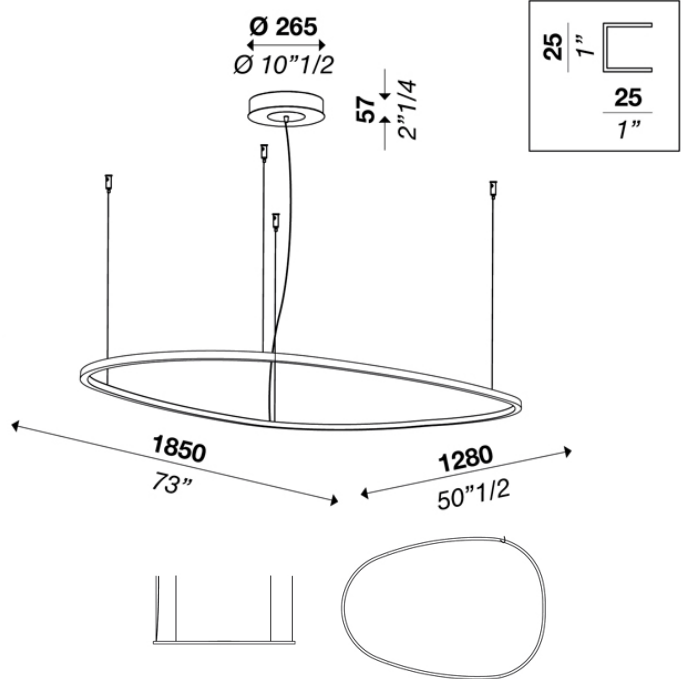


CIRCUS™ OVAL 1900

SUSPENSION

TYPE:

PROJECT NAME:



Oval hanging lamp with diffused light. Bent aluminum structure matt white, black or brass coated. Opal polycarbonate or transparent prismatic diffuser. Metal ceiling canopy matt white, black or brass coated. Strip LED.

Power input: 135W

Light emission direction: Diffused

Hanging cables:

Stainless steel cables standard length 2000 mm (78"3/4),
Electric cable standard length 2500 mm (100")

Materials: Opal polycarbonate diffuser

Electrical: High efficiency electronic power supply, rated
50,000 hours 120V-277V

Dimming: LTE phase dimming or 0-10V

Structure finish: Matt white, matt black, brass



Light source: LED

3000K: 90CRI

4000K: 90CRI

Degree of protection: IP20

Source lumens: 16900 lm

Delivered lumens: 11703 lm

Source efficacy: 125 lm/W

SPECIFICATION SHEET

ORDERING INFO

Model (Order Code)	Structure Finish	LED	Driver Options
<input type="radio"/> L032730381S20100	<input type="radio"/> Matt White <input type="radio"/> Matt Black <input type="radio"/> Brass	<input type="radio"/> 3000K <input type="radio"/> 4000K	<input type="radio"/> 120V Phase Dimming <input type="radio"/> 120V 0-10V Dimming <input type="radio"/> 277V 0-10V Dimming

