

COCO™

SUSPENSION

TYPE:

PROJECT NAME:

Finish

Fabric diffusers:



Pleated fabric

Fabric lampshade



IP20

SPECIFICATION SHEET



LIGHTING DATA



Canopy detail

* on demand

** cable on measure

Luminart®

WWW.LUMINARTLIGHTING.COM

Diffuser Finishes



Pleated



Cod. 500
White



Cod. 513
Ivory



Cod. 501
Beige



Cod. 511
Orange



Cod. 504
Flame red



Cod. 512
Dark red



Cod. 520
Electric blue



Cod. 515
Military



Cod. 514
Hazel



Cod. 505
Brown



Cod. 516
Dark brown



Cod. 517
Red brick



Cod. 509
Light grey



Cod. 519
Dark grey



Cod. 510
Anthracite



Cod. 502
Black


TYPE:

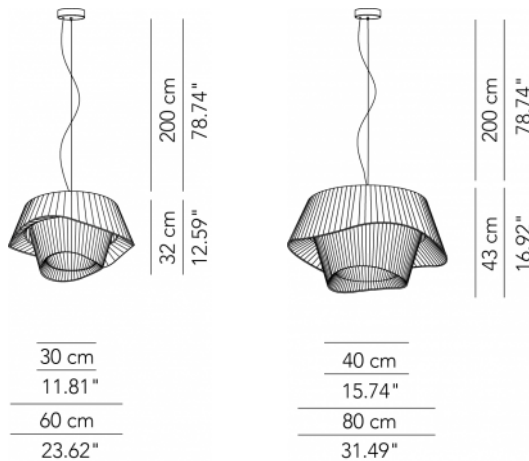
PROJECT NAME:

Medium pendant lamp D.60	ø 60 x 32 cm 4 Kg	lamp type 2xE26 LED 15W	L82COCESP060P01
Medium pendant lamp D.60	ø 60 x 32 cm 4 Kg	lamp type 1 led module 19.3W luminous efficacy 2900 Lm light colour 2700 K cri >80	L82COCESP060P05
Maxi pendant lamp D.80	ø 80 x 43 cm 7 Kg	lamp type 3xE26 LED 15W	L82COCESP080P01
Maxi pendant lamp D.80	ø 80 x 43 cm 7 Kg	lamp type 1 led module 29.3W luminous efficacy 3900 Lm light colour 2700 K cri >80	L82COCESP080P05

ORDERING INFO

Model (Order Code)	Finish	LED	Voltage	Dimming
		<input type="radio"/> 2700K	<input type="radio"/> 120V	<input type="radio"/> LTE (Leading/Trailing Edge Dim)
		<input type="radio"/> 3000K	<input type="radio"/> 277V	<input type="radio"/> 010V (0-10V)
		<input type="radio"/> 4000K		


 Fixture comes with a 4" backplate that mounts to a standard junction box.
 Please note: 277V is only compatible with 0-10V dimming. Screw-in bulbs are only compatible with 120V with LTE dimming.



SPECIFICATION SHEET

Mega pendant lamp D.100	ø 100 x 54 cm 10 Kg	lamp type 4xE26 max watt 70 W HES	L82COCESP100P01
Mega pendant lamp D.100	ø 100 x 54 cm 10 Kg	lamp type 1 led module 29.3W luminous efficacy 3900 Lm light colour 2700 K cri >80	L82COCESP100P05
Mega pendant lamp D.100	ø 100 x 54 cm 10 Kg	lamp type 1 led module 88.2W luminous efficacy 11780 Lm light colour 2700 K cri >80	L82COCESP100P10

ORDERING INFO

Model (Order Code)	Finish	LED	Voltage	Dimming
		<input type="radio"/> 2700K	<input type="radio"/> 120V	<input type="radio"/> LTE (Leading/Trailing Edge Dim)
		<input type="radio"/> 3000K	<input type="radio"/> 277V	<input type="radio"/> 0-10V (0-10V)
		<input type="radio"/> 4000K		



Fixture comes with a 4" backplate that mounts to a standard junction box.
Please note: 277V is only compatible with 0-10V dimming. Screw-in bulbs are only compatible with 120V with LTE dimming.

