

CONE™

SUSPENSION

TYPE:

PROJECT NAME:



SPECIFICATION SHEET

Luminart®

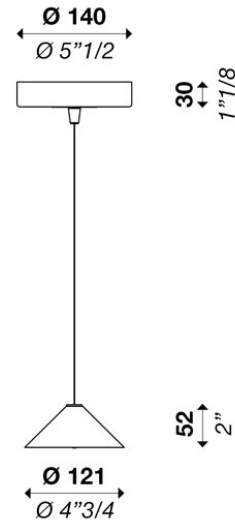
WWW.LUMINARTLIGHTING.COM
Last updated: 12/13/23

CONE™ 120

SUSPENSION

TYPE:

PROJECT NAME:



Hanging lamp Ø 120 mm (4 3/4) with direct light. Spun aluminum structure matt white, black or brass coated. Opal polycarbonate or transparent prismatic PMMA diffuser. Metal ceiling canopy matt white, black or brass coated. LED module.

Power input: 4W

Light emission direction: Direct

Hanging cables:

Stainless steel cables standard length 2000 mm (78 3/4),
Electric cable standard length 2500 mm (100")

Materials: Aluminum structure, opal transparent polycarbonate or transparent prismatic PMMA diffuser

Electrical: High efficiency electronic power supply, rated 50,000 hours 120V-277V

Dimming: LTE phase dimming or 0-10V

Diffuser options: Opal, transparent prismatic



Structure finish: Matt white, matt black, brass



Light source: LED

3000K: 90CRI
4000K: 90CRI

Degree of protection: IP20

Source lumens: 582 lm

Delivered lumens: 343 lm

Source efficacy: 145 lm/W

SPECIFICATION SHEET

ORDERING INFO

Model (Order Code)	Structure Finish	Diffuser Options	LED	Driver Options
<input type="radio"/> L031700301U20000	<input type="radio"/> Matt White <input type="radio"/> Matt Black <input type="radio"/> Brass	<input type="radio"/> Opal <input type="radio"/> Transparent prismatic	<input type="radio"/> 3000K <input type="radio"/> 4000K	<input type="radio"/> 120V Phase Dimming <input type="radio"/> 120V 0-10V Dimming <input type="radio"/> 277V 0-10V Dimming

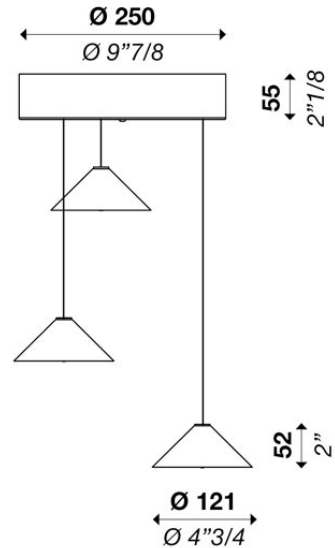


CONE™ 120x3

SUSPENSION

TYPE:

PROJECT NAME:



Cluster composition of 3 hanging lamps Ø 120 mm (4 3/4) with direct light. Spun aluminum structure matt white, black or brass coated. Opal polycarbonate or transparent prismatic PMMA diffuser. Metal ceiling canopy matt white, black or brass coated. LED module.

Diffuser options: Opal, transparent prismatic



Power input: 12W

Structure finish: Matt white, matt black, brass

Light emission direction: Direct



Hanging cables:

Stainless steel cables standard length 2000 mm (78 3/4),
Electric cable standard length 2500 mm (100")

Materials: Aluminum structure, opal transparent polycarbonate or transparent prismatic PMMA diffuser

Light source: LED

3000K: 90CRI
4000K: 90CRI

Electrical: High efficiency electronic power supply, rated 50,000 hours 120V-277V

Degree of protection: IP20

Dimming: LTE phase dimming or 0-10V

Source lumens: 1746 lm

Delivered lumens: 1028 lm

Source efficacy: 145 lm/W

SPECIFICATION SHEET

ORDERING INFO

Model (Order Code)	Structure Finish	Diffuser Options	LED	Driver Options
<input type="radio"/> L031700306U20000	<input type="radio"/> Matt White <input type="radio"/> Matt Black <input type="radio"/> Brass	<input type="radio"/> Opal <input type="radio"/> Transparent prismatic	<input type="radio"/> 3000K <input type="radio"/> 4000K	<input type="radio"/> 120V Phase Dimming <input type="radio"/> 120V 0-10V Dimming <input type="radio"/> 277V 0-10V Dimming



Luminart®

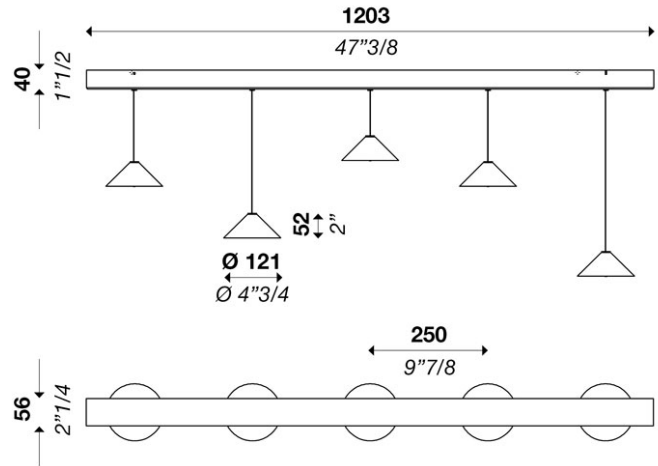
WWW.LUMINARTLIGHTING.COM
Last updated: 12/13/23

CONETM 120x5

SUSPENSION

TYPE:

PROJECT NAME:



Serial composition of 5 hanging lamps Ø 120 mm (4"3/4) with direct light. Spun aluminum structure matt white, black or brass coated. Opal polycarbonate or transparent prismatic PMMA diffuser. Metal ceiling canopy matt white, black or brass coated. LED module.

Diffuser options: Opal, transparent prismatic



Power input: 20W

Structure finish: Matt white, matt black, brass

Light emission direction: Direct



Hanging cables:

Stainless steel cables standard length 2000 mm (78"3/4),
Electric cable standard length 2500 mm (100")

Materials: Aluminum structure, opal transparent polycarbonate or transparent prismatic PMMA diffuser

Light source: LED

3000K: 90CRI
4000K: 90CRI

Electrical: High efficiency electronic power supply, rated 50,000 hours 120V-277V

Degree of protection: IP20

Dimming: LTE phase dimming or 0-10V

Source lumens: 2910 lm

Delivered lumens: 1714 lm

Source efficacy: 145 lm/W

SPECIFICATION SHEET

ORDERING INFO

Model (Order Code)	Structure Finish	Diffuser Options	LED	Driver Options
<input type="radio"/> L031700305U20000	<input type="radio"/> Matt White <input type="radio"/> Matt Black <input type="radio"/> Brass	<input type="radio"/> Opal <input type="radio"/> Transparent prismatic	<input type="radio"/> 3000K <input type="radio"/> 4000K	<input type="radio"/> 120V Phase Dimming <input type="radio"/> 120V 0-10V Dimming <input type="radio"/> 277V 0-10V Dimming

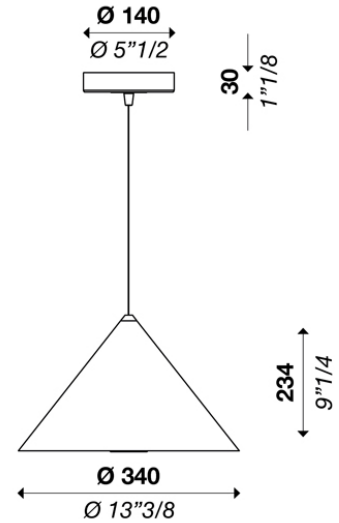


CONE™ 340

SUSPENSION

TYPE:

PROJECT NAME:



Hanging lamp Ø 340 mm (13"3/8) with direct light. Spun aluminum structure matt white, black or brass coated. Opal polycarbonate or transparent prismatic PMMA diffuser. Metal ceiling canopy matt white, black or brass coated. LED module.

Diffuser options: Opal, transparent prismatic



Power input: 21W

Structure finish: Matt white, matt black, brass

Light emission direction: Direct



Hanging cables:

Stainless steel cables standard length 2000 mm (78"3/4),
Electric cable standard length 2500 mm (100")

Materials: Aluminum structure, opal transparent polycarbonate or transparent prismatic PMMA diffuser

Light source: LED

3000K: 90CRI
4000K: 90CRI

Electrical: High efficiency electronic power supply, rated 50,000 hours 120V-277V

Degree of protection: IP20

Dimming: LTE phase dimming or 0-10V

Source lumens: 3480 lm

Delivered lumens: 2269 lm

Source efficacy: 166 lm/W

SPECIFICATION SHEET

ORDERING INFO

Model (Order Code)	Structure Finish	Diffuser Options	LED	Driver Options
<input type="radio"/> L031700302A20000	<input type="radio"/> Matt White <input type="radio"/> Matt Black <input type="radio"/> Brass	<input type="radio"/> Opal <input type="radio"/> Transparent prismatic	<input type="radio"/> 3000K <input type="radio"/> 4000K	<input type="radio"/> 120V Phase Dimming <input type="radio"/> 120V 0-10V Dimming <input type="radio"/> 277V 0-10V Dimming



Luminart®

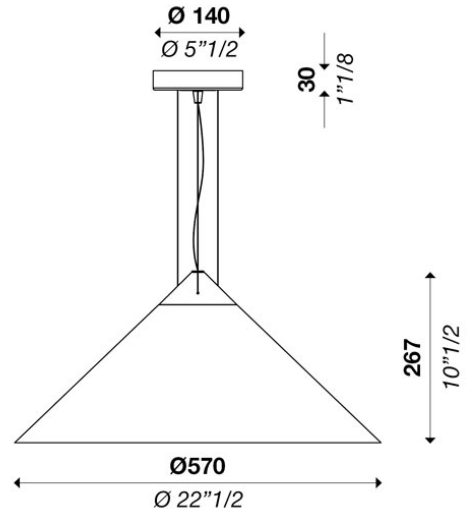
WWW.LUMINARTLIGHTING.COM
Last updated: 12/13/23

CONE™ 570

SUSPENSION

TYPE:

PROJECT NAME:



Hanging lamp Ø 570 mm (22"1/2) with direct light. Spun aluminum structure matt white, black or brass coated. Opal polycarbonate or transparent prismatic PMMA diffuser. Metal ceiling canopy matt white, black or brass coated. LED module.

Diffuser options: Opal, transparent prismatic



Power input: 41W

Structure finish: Matt white, matt black, brass

Light emission direction: Direct



Hanging cables:

Stainless steel cables standard length 2000 mm (78"3/4),
Electric cable standard length 2500 mm (100")

Materials: Aluminum structure, opal transparent polycarbonate or transparent prismatic PMMA diffuser

Light source: LED

3000K: 90CRI
4000K: 90CRI

Electrical: High efficiency electronic power supply, rated 50,000 hours 120V-277V

Degree of protection: IP20

Dimming: LTE phase dimming or 0-10V

Source lumens: 7000 lm

Delivered lumens: 3849 lm

Source efficacy: 171 lm/W

SPECIFICATION SHEET

ORDERING INFO

Model (Order Code)	Structure Finish	Diffuser Options	LED	Driver Options
<input type="radio"/> L031700303A20000	<input type="radio"/> Matt White <input type="radio"/> Matt Black <input type="radio"/> Brass	<input type="radio"/> Opal <input type="radio"/> Transparent prismatic	<input type="radio"/> 3000K <input type="radio"/> 4000K	<input type="radio"/> 120V Phase Dimming <input type="radio"/> 120V 0-10V Dimming <input type="radio"/> 277V 0-10V Dimming

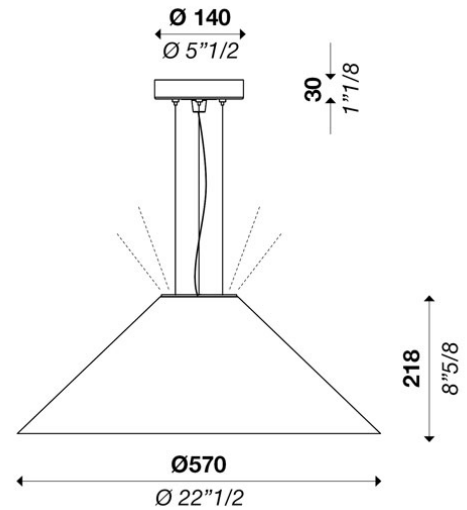


CONE™ 570

SUSPENSION - UP/DOWN LIGHT

TYPE:

PROJECT NAME:



Hanging lamp Ø 570 mm (22"1/2) with direct and indirect light. Spun aluminum structure matt white, black or brass coated. Opal polycarbonate or transparent prismatic PMMA diffuser. Metal ceiling canopy matt white, black or brass coated. LED module.

Diffuser options: Opal, transparent prismatic



Power input: Direct 41W, indirect 4W

Structure finish: Matt white, matt black, brass



Light emission direction: Direct and indirect

Hanging cables:

Stainless steel cables standard length 2000 mm (78"3/4),
Electric cable standard length 2500 mm (100")

Materials: Aluminum structure, opal transparent polycarbonate or transparent prismatic PMMA diffuser

Light source: LED

3000K: 90CRI
4000K: 90CRI

Electrical: High efficiency electronic power supply, rated 50,000 hours 120V-277V

Degree of protection: IP20

Dimming: LTE phase dimming or 0-10V

Source lumens: 6677 lm

Delivered lumens: 4608 lm

Source efficacy: 148 lm/W

SPECIFICATION SHEET

ORDERING INFO

Model (Order Code)	Structure Finish	Diffuser Options	LED	Driver Options
<input type="radio"/> L031700304A20000	<input type="radio"/> Matt White <input type="radio"/> Matt Black <input type="radio"/> Brass	<input type="radio"/> Opal <input type="radio"/> Transparent prismatic	<input type="radio"/> 3000K <input type="radio"/> 4000K	<input type="radio"/> 120V Phase Dimming <input type="radio"/> 120V 0-10V Dimming <input type="radio"/> 277V 0-10V Dimming

