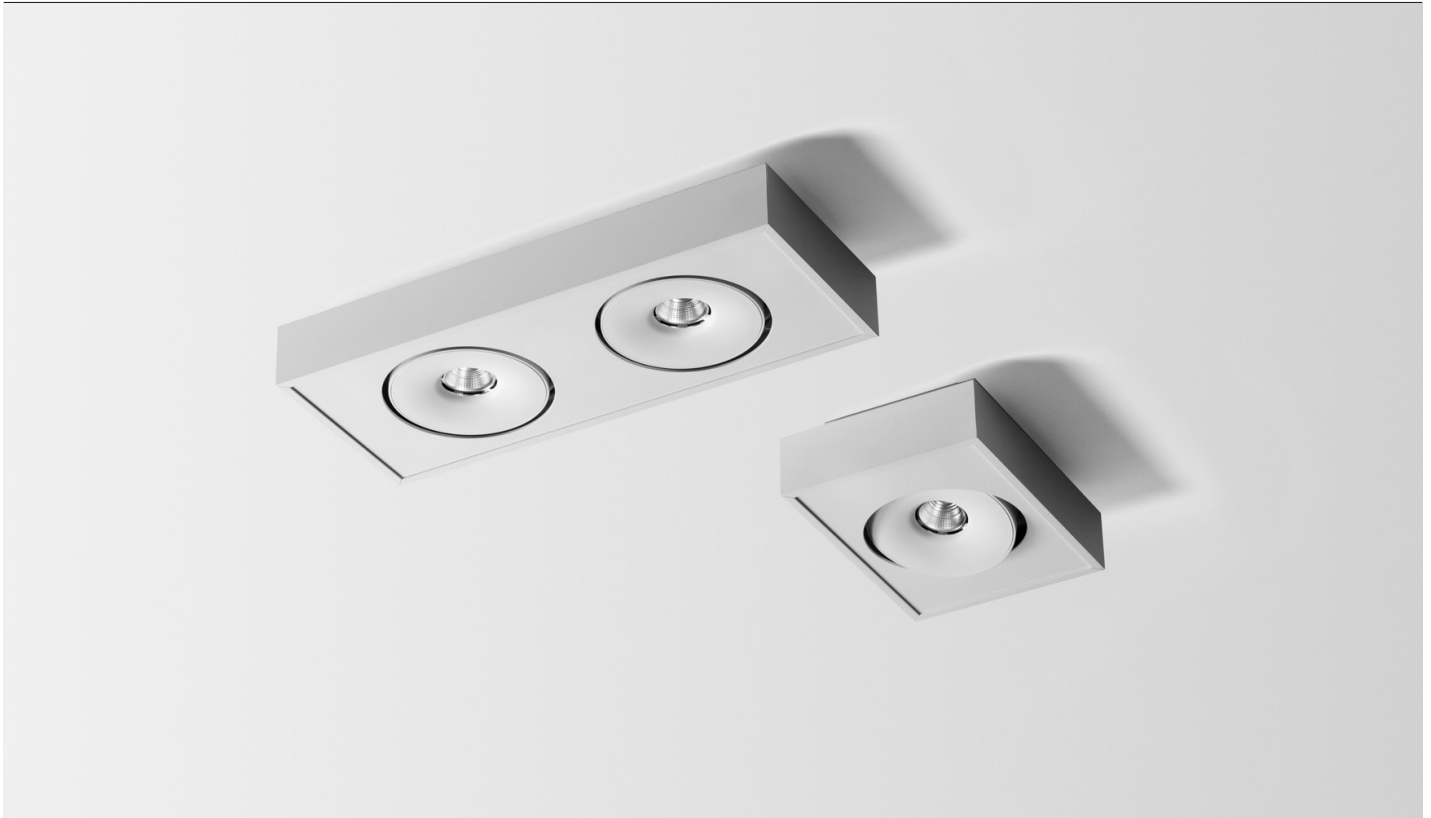


CUBIX™ FLAT

CEILING

TYPE:

PROJECT NAME:



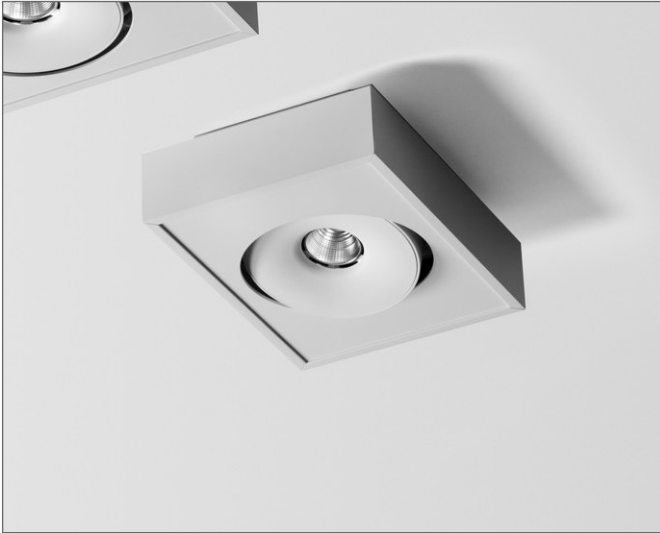
SPECIFICATION SHEET

CUBIX™ FLAT 1

CEILING

TYPE:

PROJECT NAME:



The Cubix Flat fixtures are primarily characterized by their low-profile design, with a mere 70mm (2.75") in height. Introduced into serial production in 2011, they were the first of their kind on the domestic market. Currently, these fixtures have been complemented with models featuring integrated LED sources. Despite their small height, the fixtures are fully functional, allowing for complete adjustment of the light source's position. The Cubix series has found widespread applications, ranging from private apartments and hotel corridors to expansive conference halls.

Velvet options: Black, White

Light source: LED

Color Temperature:

CRI 90 2700K

CRI 90 3000K

CRI 90 4000K

Power input, flux: LED 8W, 593lm

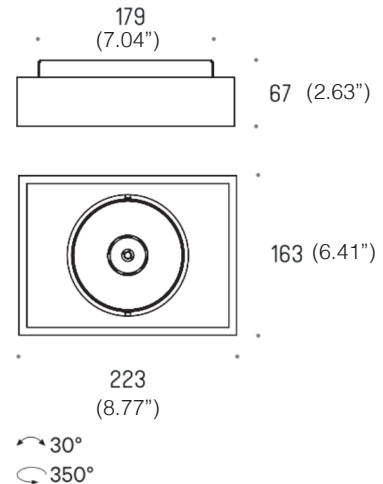
Color rendering / SDCM: CRI 98 / sdcM2

Installation: surface mounted, ceiling

Materials: Aluminum, steel

Ingress protection: IP20

Electrical: High efficiency electronic power supply, rated 50,000 hours 120V-277V



ORDERING INFO

Model (Order Code)	Finish Options	Optic Options	LED	Dimming Options
<input type="radio"/> CUBIX FLAT 1 L543.0725	<input type="radio"/> B: Black <input type="radio"/> W: White	<input type="radio"/> S: spot 12° <input type="radio"/> M: medium 31° <input type="radio"/> W: wide 45°	<input type="radio"/> 27: 2700K <input type="radio"/> 30: 3000K <input type="radio"/> 40: 4000K	<input type="radio"/> 120V LTE <input type="radio"/> 120V-277V 0-10V (Universal Voltage)



SPECIFICATION SHEET

CUBIX™ FLAT 2

CEILING

TYPE:

PROJECT NAME:



The Cubix Flat fixtures are primarily characterized by their low-profile design, with a mere 70mm (2.75") in height. Introduced into serial production in 2011, they were the first of their kind on the domestic market. Currently, these fixtures have been complemented with models featuring integrated LED sources. Despite their small height, the fixtures are fully functional, allowing for complete adjustment of the light source's position. The Cubix Flat series has found widespread applications, ranging from private apartments and hotel corridors to expansive conference halls.

Power input, flux: LED 16W, 2 x 593lm

Color rendering / SDCM: CRI 98 / sdcM2

Installation: surface mounted, ceiling

Materials: Aluminum, steel

Ingress protection: IP20

Electrical: High efficiency electronic power supply, rated 50,000 hours 120V-277V

Velvet options: Black, White

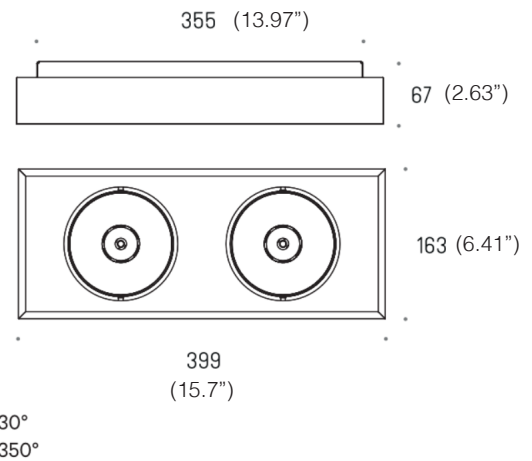
Light source: LED

Color Temperature:

CRI 90 2700K

CRI 90 3000K

CRI 90 4000K



SPECIFICATION SHEET

ORDERING INFO

Model (Order Code)	Finish Options	Optic Options	LED	Dimming Options
<input type="radio"/> CUBIX FLAT 2 L543.0726	<input type="radio"/> B: Black <input type="radio"/> W: White	<input type="radio"/> S: spot 12° <input type="radio"/> M: medium 31° <input type="radio"/> W: wide 45°	<input type="radio"/> 27: 2700K <input type="radio"/> 30: 3000K <input type="radio"/> 40: 4000K	<input type="radio"/> 120V LTE <input type="radio"/> 120V-277V 0-10V (Universal Voltage)



CUBIX™ FLAT 3

CEILING

TYPE:

PROJECT NAME:



The Cubix Flat fixtures are primarily characterized by their low-profile design, with a mere 70mm (2.75") in height. Introduced into serial production in 2011, they were the first of their kind on the domestic market. Currently, these fixtures have been complemented with models featuring integrated LED sources. Despite their small height, the fixtures are fully functional, allowing for complete adjustment of the light source's position. The Cubix Flat series has found widespread applications, ranging from private apartments and hotel corridors to expansive conference halls.

Power input, flux: LED 24W, 3 x 593lm

Color rendering / SDCM: CRI 98 / sdc2

Installation: surface mounted, ceiling

Materials: Aluminum, steel

Ingress protection: IP20

Electrical: High efficiency electronic power supply, rated 50,000 hours 120V-277V

Velvet options: Black, White

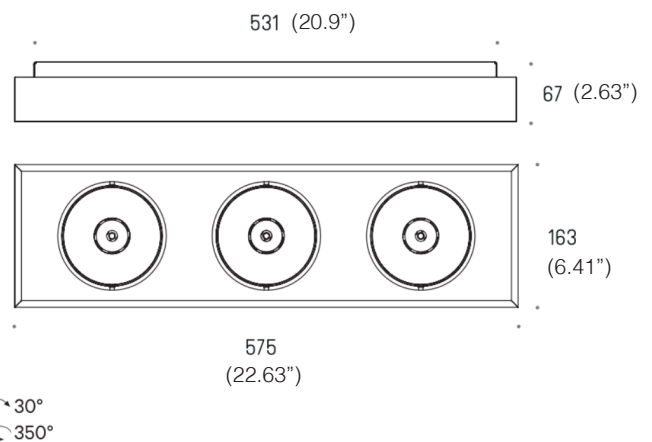
Light source: LED

Color Temperature:

CRI 90 2700K

CRI 90 3000K

CRI 90 4000K



ORDERING INFO

Model (Order Code)	Finish Options	Optic Options	LED	Dimming Options
<input type="radio"/> CUBIX FLAT 3 L543.0727	<input type="radio"/> B: Black <input type="radio"/> W: White	<input type="radio"/> S: spot 12° <input type="radio"/> M: medium 31° <input type="radio"/> W: wide 45°	<input type="radio"/> 27: 2700K <input type="radio"/> 30: 3000K <input type="radio"/> 40: 4000K	<input type="radio"/> 120V LTE <input type="radio"/> 120V-277V 0-10V (Universal Voltage)



SPECIFICATION SHEET