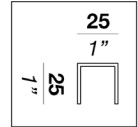
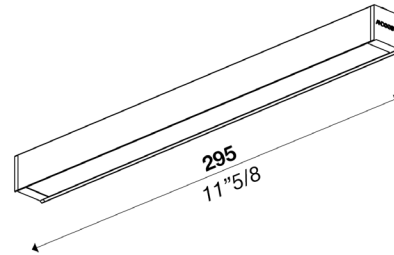
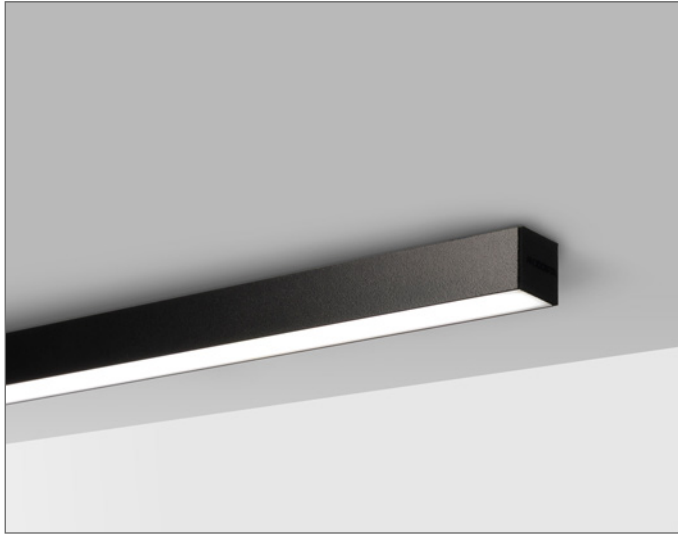


# DAYTONA™ LINEAR 300 TYPE:

CEILING - OPAL DIFFUSER

PROJECT NAME:



Lighting modular system with direct light. Aluminum structure in matt white, embossed black or gold finish. Linear profiles with opal polycarbonate, and round structures with opal polycarbonate diffuser. Strip LED on polycarbonate diffuser.

**Power input:** 6W

**Light emission direction:** Direct

**Materials:** Aluminum structure, opal polycarbonate diffuser

**Electrical:** High efficiency electronic power supply, rated 50,000 hours 120V-277V

**Dimming:** Power supply compatible with 0-10V

**Structure finish:** Matt white, embossed black, gold



**Light source:** LED  
3000K: 90CRI  
4000K: 90CRI

**Degree of protection:** IP20

**Source lumens:** 1020 lm

**Delivered lumens:** 527 lm

**Source efficacy:** 170 lm/W

SPECIFICATION SHEET

## ORDERING INFO

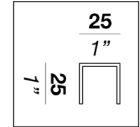
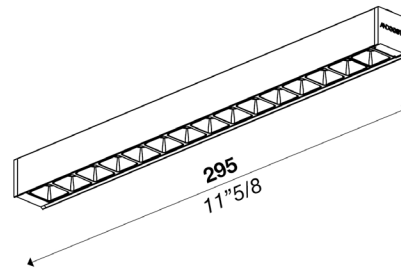
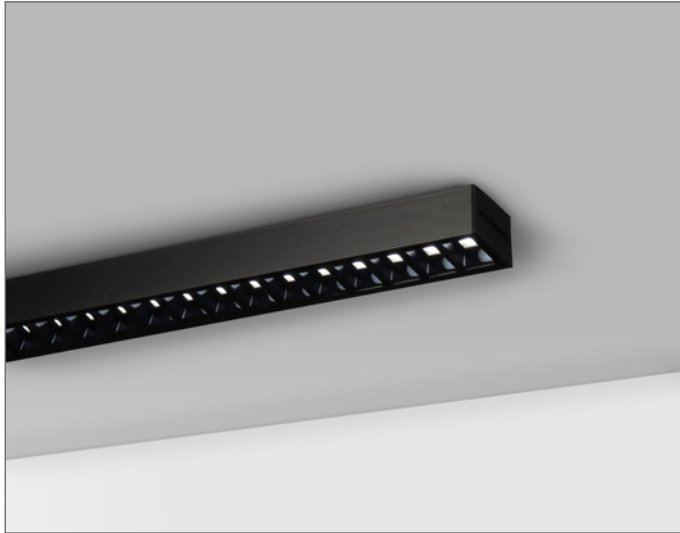
Model (Order Code)	Structure Finish	LED	Driver Options
<input type="radio"/> L032650228B10100	<input type="radio"/> Matt White <input type="radio"/> Embossed Black <input type="radio"/> Gold	<input type="radio"/> 3000K <input type="radio"/> 4000K	<input type="radio"/> 120V 0-10V Dimming <input type="radio"/> 277V 0-10V Dimming



# DAYTONA™ LINEAR 300 TYPE:

CEILING - DARKLIGHT DIFFUSER

PROJECT NAME:



Lighting modular system with direct light. Aluminum structure in matt white, embossed black or brass finish. Linear profiles with dark light optic diffuser, and round structures with opal polycarbonate diffuser. LED module on dark light optic diffuser.

**Power input:** 8W

**Light emission direction:** Direct

**Materials:** Aluminum structure, PMMA dark light diffuser

**Electrical:** High efficiency electronic power supply, rated 50,000 hours 120V-277V

**Dimming:** Power supply compatible with 0-10V

**Structure finish:** Matt white, embossed black, gold



**Light source:** LED  
3000K: 90CRI  
4000K: 90CRI

**Degree of protection:** IP20

**Source lumens:** 1088 lm

**Delivered lumens:** 719 lm

**Source efficacy:** 145 lm/W

SPECIFICATION SHEET

## ORDERING INFO

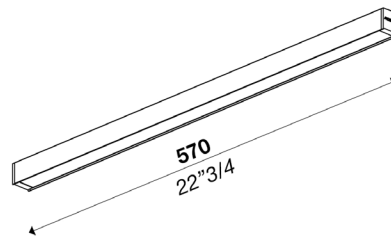
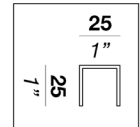
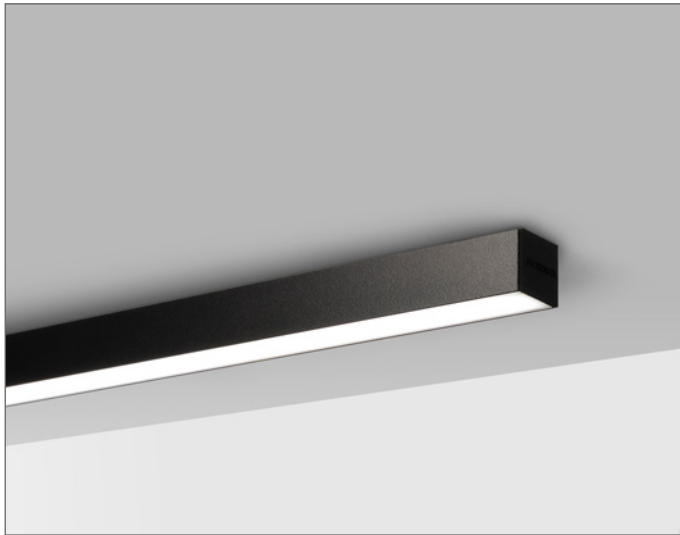
Model (Order Code)	Structure Finish	LED	Driver Options
<input type="radio"/> L032650228B10140	<input type="radio"/> Matt White <input type="radio"/> Embossed Black <input type="radio"/> Gold	<input type="radio"/> 3000K <input type="radio"/> 4000K	<input type="radio"/> 120V 0-10V Dimming <input type="radio"/> 277V 0-10V Dimming



# DAYTONA™ LINEAR 600 TYPE:

CEILING - OPAL DIFFUSER

PROJECT NAME:



Lighting modular system with direct light. Aluminum structure in matt white, embossed black or gold finish. Linear profiles with opal polycarbonate, and round structures with opal polycarbonate diffuser. Strip LED on polycarbonate diffuser.

**Power input:** 11W

**Light emission direction:** Direct

**Materials:** Aluminum structure, opal polycarbonate diffuser

**Electrical:** High efficiency electronic power supply, rated 50,000 hours 120V-277V

**Dimming:** Power supply compatible with 0-10V

**Structure finish:** Matt white, embossed black, gold



**Light source:** LED  
3000K: 90CRI  
4000K: 90CRI

**Degree of protection:** IP20

**Source lumens:** 1938 lm

**Delivered lumens:** 1054 lm

**Source efficacy:** 170 lm/W

SPECIFICATION SHEET

## ORDERING INFO

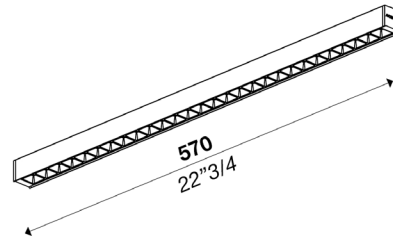
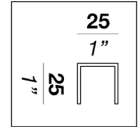
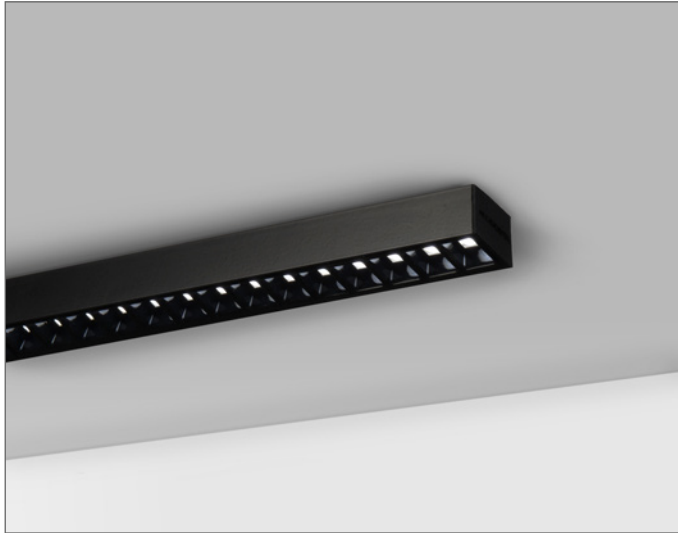
Model (Order Code)	Structure Finish	LED	Driver Options
<input type="radio"/> L032650257B10100	<input type="radio"/> Matt White <input type="radio"/> Embossed Black <input type="radio"/> Gold	<input type="radio"/> 3000K <input type="radio"/> 4000K	<input type="radio"/> 120V 0-10V Dimming <input type="radio"/> 277V 0-10V Dimming



# DAYTONA™ LINEAR 600 TYPE:

CEILING - DARKLIGHT DIFFUSER

PROJECT NAME:



Lighting modular system with direct light. Aluminum structure in matt white, embossed black or brass finish. Linear profiles with dark light optic diffuser, and round structures with opal polycarbonate diffuser. LED module on dark light optic diffuser.

**Power input:** 15W

**Light emission direction:** Direct

**Materials:** Aluminum structure, PMMA dark light diffuser

**Electrical:** High efficiency electronic power supply, rated 50,000 hours 120V-277V

**Dimming:** Power supply compatible with 0-10V

**Structure finish:** Matt white, embossed black, gold



**Light source:** LED  
3000K: 90CRI  
4000K: 90CRI

**Degree of protection:** IP20

**Source lumens:** 2175 lm

**Delivered lumens:** 1259 lm

**Source efficacy:** 145 lm/W

SPECIFICATION SHEET

## ORDERING INFO

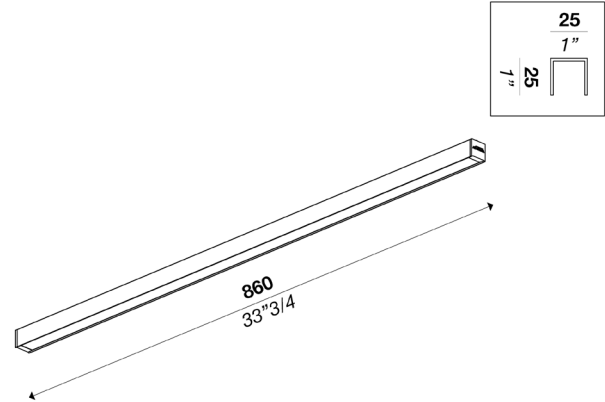
Model (Order Code)	Structure Finish	LED	Driver Options
<input type="radio"/> L032650257B10140	<input type="radio"/> Matt White <input type="radio"/> Embossed Black <input type="radio"/> Gold	<input type="radio"/> 3000K <input type="radio"/> 4000K	<input type="radio"/> 120V 0-10V Dimming <input type="radio"/> 277V 0-10V Dimming



# DAYTONA™ LINEAR 800 TYPE:

CEILING - OPAL DIFFUSER

PROJECT NAME:



Lighting modular system with direct light. Aluminum structure in matt white, embossed black or gold finish. Linear profiles with opal polycarbonate, and round structures with opal polycarbonate diffuser. Strip LED on polycarbonate diffuser.

**Power input:** 17W

**Light emission direction:** Direct

**Materials:** Aluminum structure, opal polycarbonate diffuser

**Electrical:** High efficiency electronic power supply, rated 50,000 hours 120V-277V

**Dimming:** Power supply compatible with 0-10V

**Structure finish:** Matt white, embossed black, gold



**Light source:** LED  
3000K: 90CRI  
4000K: 90CRI

**Degree of protection:** IP20

**Source lumens:** 2924 lm

**Delivered lumens:** 1581 lm

**Source efficacy:** 170 lm/W

SPECIFICATION SHEET

## ORDERING INFO

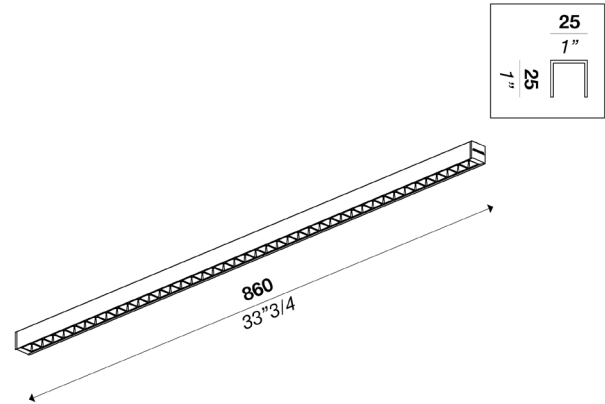
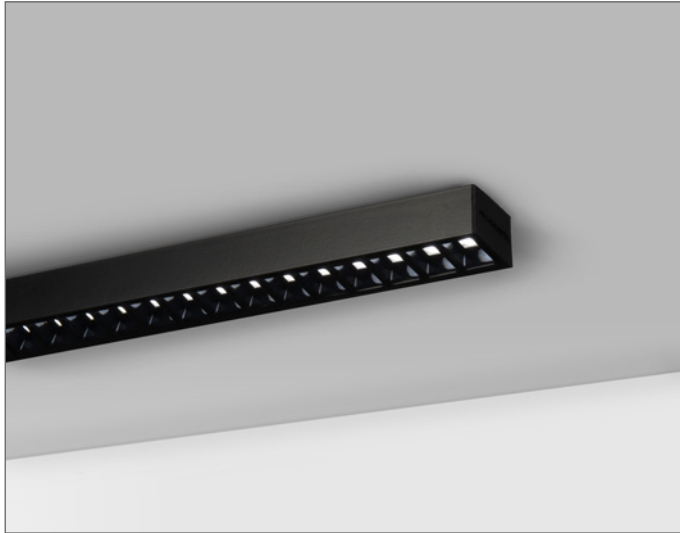
Model (Order Code)	Structure Finish	LED	Driver Options
<input type="radio"/> L032650286B10100	<input type="radio"/> Matt White <input type="radio"/> Embossed Black <input type="radio"/> Gold	<input type="radio"/> 3000K <input type="radio"/> 4000K	<input type="radio"/> 120V 0-10V Dimming <input type="radio"/> 277V 0-10V Dimming



# DAYTONA™ LINEAR 800 TYPE:

CEILING - DARKLIGHT DIFFUSER

PROJECT NAME:



Lighting modular system with direct light. Aluminum structure in matt white, embossed black or brass finish. Linear profiles with dark light optic diffuser, and round structures with opal polycarbonate diffuser. LED module on dark light optic diffuser.

**Power input:** 23W

**Light emission direction:** Direct

**Materials:** Aluminum structure, PMMA dark light diffuser

**Electrical:** High efficiency electronic power supply, rated 50,000 hours 120V-277V

**Dimming:** Power supply compatible with 0-10V

**Structure finish:** Matt white, embossed black, gold



**Light source:** LED  
3000K: 90CRI  
4000K: 90CRI

**Degree of protection:** IP20

**Source lumens:** 3263 lm

**Delivered lumens:** 1978 lm

**Source efficacy:** 145 lm/W

SPECIFICATION SHEET

## ORDERING INFO

Model (Order Code)	Structure Finish	LED	Driver Options
<input type="radio"/> L032650286B10140	<input type="radio"/> Matt White <input type="radio"/> Embossed Black <input type="radio"/> Gold	<input type="radio"/> 3000K <input type="radio"/> 4000K	<input type="radio"/> 120V 0-10V Dimming <input type="radio"/> 277V 0-10V Dimming

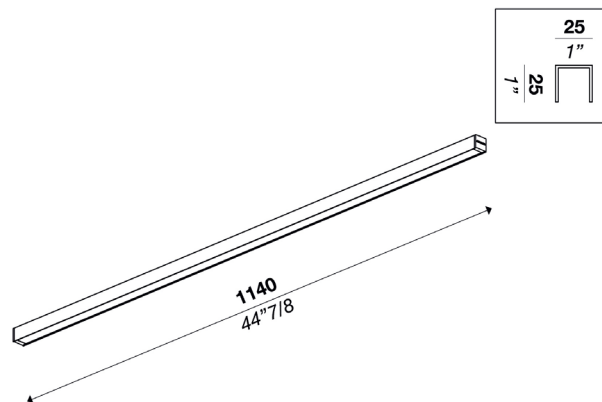


# DAYTONA™ LINEAR 1100

CEILING - OPAL DIFFUSER

TYPE:

PROJECT NAME:



Lighting modular system with direct light. Aluminum structure in matt white, embossed black or gold finish. Linear profiles with opal polycarbonate, and round structures with opal polycarbonate diffuser. Strip LED on polycarbonate diffuser.

**Power input:** 23W

**Light emission direction:** Direct

**Materials:** Aluminum structure, opal polycarbonate diffuser

**Electrical:** High efficiency electronic power supply, rated 50,000 hours 120V-277V

**Dimming:** Power supply compatible with 0-10V

**Structure finish:** Matt white, embossed black, gold



**Light source:** LED  
3000K: 90CRI  
4000K: 90CRI

**Degree of protection:** IP20

**Source lumens:** 3876 lm

**Delivered lumens:** 2108 lm

**Source efficacy:** 170 lm/W

SPECIFICATION SHEET

## ORDERING INFO

Model (Order Code)	Structure Finish	LED	Driver Options
<input type="radio"/> L032650211B10100	<input type="radio"/> Matt White <input type="radio"/> Embossed Black <input type="radio"/> Gold	<input type="radio"/> 3000K <input type="radio"/> 4000K	<input type="radio"/> 120V 0-10V Dimming <input type="radio"/> 277V 0-10V Dimming



**Luminart®**

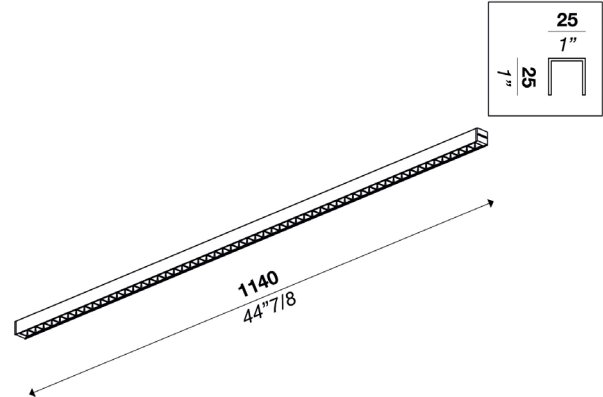
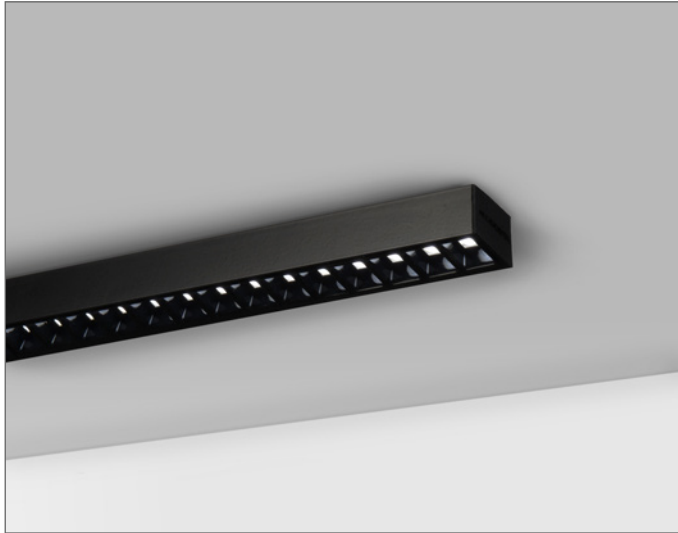
WWW.LUMINARTLIGHTING.COM

# DAYTONA™ LINEAR 1100

CEILING - DARKLIGHT DIFFUSER

TYPE:

PROJECT NAME:



Lighting modular system with direct light. Aluminum structure in matt white, embossed black or brass finish. Linear profiles with dark light optic diffuser, and round structures with opal polycarbonate diffuser. LED module on dark light optic diffuser.

**Power input:** 30W

**Light emission direction:** Direct

**Materials:** Aluminum structure, PMMA dark light diffuser

**Electrical:** High efficiency electronic power supply, rated 50,000 hours 120V-277V

**Dimming:** Power supply compatible with 0-10V

**Structure finish:** Matt white, embossed black, gold



**Light source:** LED  
3000K: 90CRI  
4000K: 90CRI

**Degree of protection:** IP20

**Source lumens:** 4350 lm

**Delivered lumens:** 2607 lm

**Source efficacy:** 145 lm/W

SPECIFICATION SHEET

## ORDERING INFO

Model (Order Code)	Structure Finish	LED	Driver Options
<input type="radio"/> L032650211B10140	<input type="radio"/> Matt White <input type="radio"/> Embossed Black <input type="radio"/> Gold	<input type="radio"/> 3000K <input type="radio"/> 4000K	<input type="radio"/> 120V 0-10V Dimming <input type="radio"/> 277V 0-10V Dimming



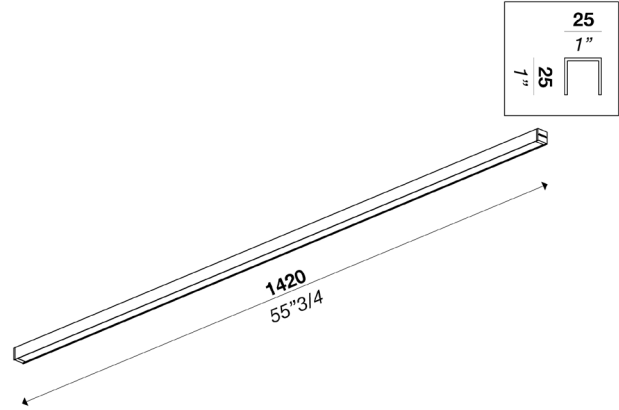
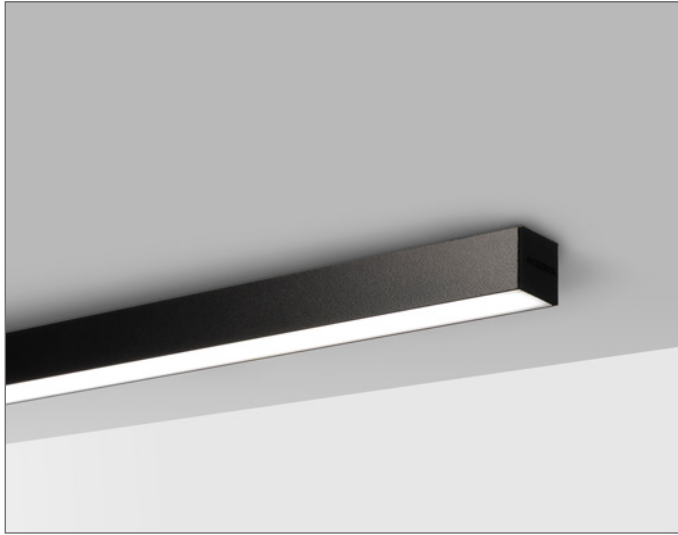


# DAYTONA™ LINEAR 1400

CEILING - OPAL DIFFUSER

TYPE:

PROJECT NAME:



Lighting modular system with direct light. Aluminum structure in matt white, embossed black or gold finish. Linear profiles with opal polycarbonate, and round structures with opal polycarbonate diffuser. Strip LED on polycarbonate diffuser.

**Power input:** 28W

**Light emission direction:** Direct

**Materials:** Aluminum structure, opal polycarbonate diffuser

**Electrical:** High efficiency electronic power supply, rated 50,000 hours 120V-277V

**Dimming:** Power supply compatible with 0-10V

**Structure finish:** Matt white, embossed black, gold



**Light source:** LED  
3000K: 90CRI  
4000K: 90CRI

**Degree of protection:** IP20

**Source lumens:** 4828 lm

**Delivered lumens:** 2635 lm

**Source efficacy:** 170 lm/W

SPECIFICATION SHEET

## ORDERING INFO

Model (Order Code)	Structure Finish	LED	Driver Options
<input type="radio"/> L032650214B10100	<input type="radio"/> Matt White <input type="radio"/> Embossed Black <input type="radio"/> Gold	<input type="radio"/> 3000K <input type="radio"/> 4000K	<input type="radio"/> 120V 0-10V Dimming <input type="radio"/> 277V 0-10V Dimming



**Luminart®**

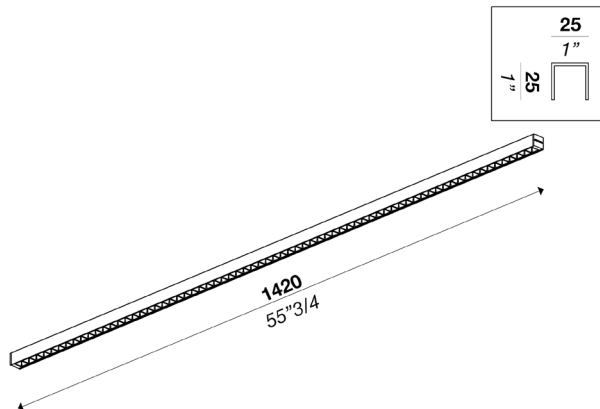
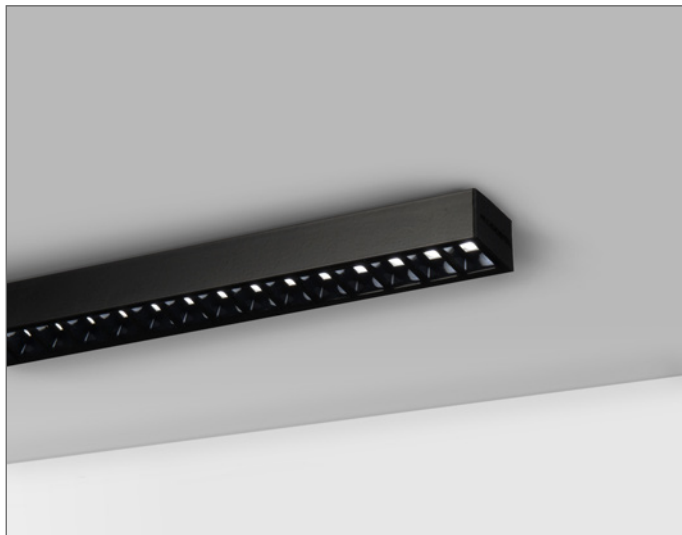
WWW.LUMINARTLIGHTING.COM

# DAYTONA™ LINEAR 1400

CEILING - DARKLIGHT DIFFUSER

TYPE:

PROJECT NAME:



Lighting modular system with direct light. Aluminum structure in matt white, embossed black or brass finish. Linear profiles with dark light optic diffuser, and round structures with opal polycarbonate diffuser. LED module on dark light optic diffuser.

**Power input:** 38W

**Light emission direction:** Direct

**Materials:** Aluminum structure, PMMA dark light diffuser

**Electrical:** High efficiency electronic power supply, rated 50,000 hours 120V-277V

**Dimming:** Power supply compatible with 0-10V

**Structure finish:** Matt white, embossed black, gold



**Light source:** LED  
3000K: 90CRI  
4000K: 90CRI

**Degree of protection:** IP20

**Source lumens:** 5438 lm

**Delivered lumens:** 3236 lm

**Source efficacy:** 145 lm/W

SPECIFICATION SHEET

## ORDERING INFO

Model (Order Code)	Structure Finish	LED	Driver Options
<input type="radio"/> L032650214B10140	<input type="radio"/> Matt White <input type="radio"/> Embossed Black <input type="radio"/> Gold	<input type="radio"/> 3000K <input type="radio"/> 4000K	<input type="radio"/> 120V 0-10V Dimming <input type="radio"/> 277V 0-10V Dimming



**Luminart®**

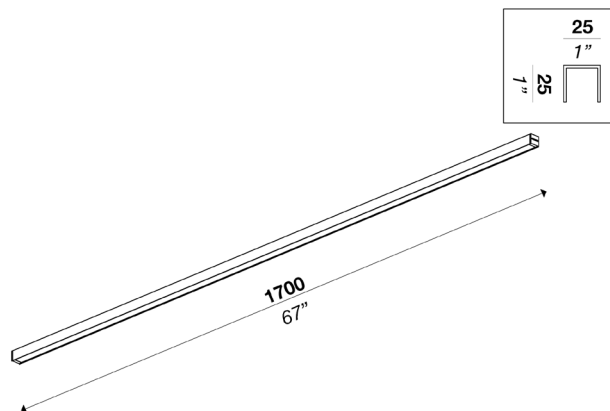
WWW.LUMINARTLIGHTING.COM

# DAYTONA™ LINEAR 1700

CEILING - OPAL DIFFUSER

TYPE:

PROJECT NAME:



Lighting modular system with direct light. Aluminum structure in matt white, embossed black or gold finish. Linear profiles with opal polycarbonate, and round structures with opal polycarbonate diffuser. Strip LED on polycarbonate diffuser.

**Power input:** 34W

**Light emission direction:** Direct

**Materials:** Aluminum structure, opal polycarbonate diffuser

**Electrical:** High efficiency electronic power supply, rated 50,000 hours 120V-277V

**Dimming:** Power supply compatible with 0-10V

**Structure finish:** Matt white, embossed black, gold



**Light source:** LED  
3000K: 90CRI  
4000K: 90CRI

**Degree of protection:** IP20

**Source lumens:** 5780 lm

**Delivered lumens:** 3057 lm

**Source efficacy:** 170 lm/W

SPECIFICATION SHEET

## ORDERING INFO

Model (Order Code)	Structure Finish	LED	Driver Options
<input type="radio"/> L032650217B10100	<input type="radio"/> Matt White <input type="radio"/> Embossed Black <input type="radio"/> Gold	<input type="radio"/> 3000K <input type="radio"/> 4000K	<input type="radio"/> 120V 0-10V Dimming <input type="radio"/> 277V 0-10V Dimming



**Luminart®**

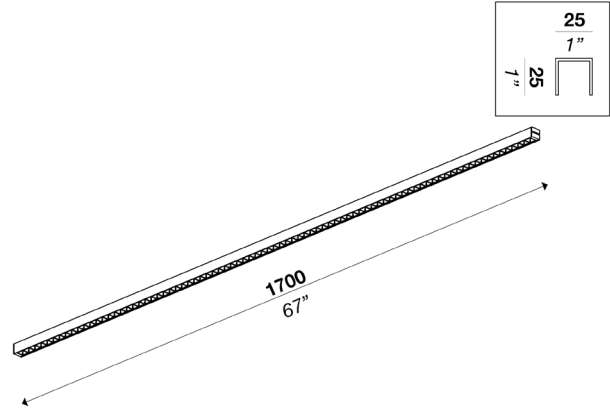
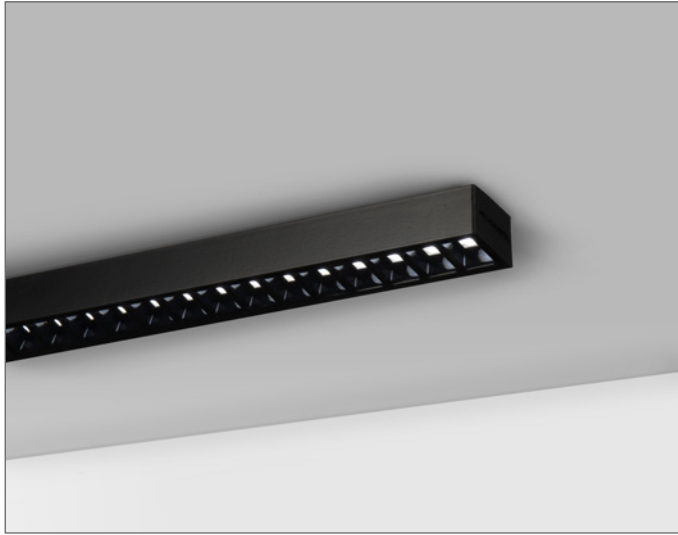
WWW.LUMINARTLIGHTING.COM

# DAYTONA™ LINEAR 1700

CEILING - DARKLIGHT DIFFUSER

TYPE:

PROJECT NAME:



Lighting modular system with direct light. Aluminum structure in matt white, embossed black or brass finish. Linear profiles with dark light optic diffuser, and round structures with opal polycarbonate diffuser. LED module on dark light optic diffuser.

**Power input:** 45W

**Light emission direction:** Direct

**Materials:** Aluminum structure, PMMA dark light diffuser

**Electrical:** High efficiency electronic power supply, rated 50,000 hours 120V-277V

**Dimming:** Power supply compatible with 0-10V

**Structure finish:** Matt white, embossed black, gold



**Light source:** LED  
3000K: 90CRI  
4000K: 90CRI

**Degree of protection:** IP20

**Source lumens:** 6525 lm

**Delivered lumens:** 3866 lm

**Source efficacy:** 145 lm/W

SPECIFICATION SHEET

## ORDERING INFO

Model (Order Code)	Structure Finish	LED	Driver Options
<input type="radio"/> L032650217B10140	<input type="radio"/> Matt White <input type="radio"/> Embossed Black <input type="radio"/> Gold	<input type="radio"/> 3000K <input type="radio"/> 4000K	<input type="radio"/> 120V 0-10V Dimming <input type="radio"/> 277V 0-10V Dimming



**Luminart®**

WWW.LUMINARTLIGHTING.COM