

# DAYTONA™ LINEAR

SUSPENSION

TYPE:

PROJECT NAME:

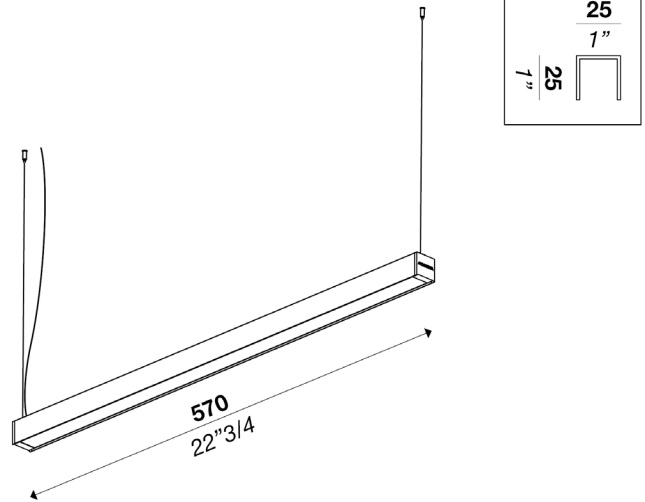


SPECIFICATION SHEET

# DAYTONA™ LINEAR 600 TYPE:

SUSPENSION - OPAL DIFFUSER

PROJECT NAME:



Lighting modular system with direct light. Aluminum structure in matt white, embossed black or gold finish. Linear profiles with opal polycarbonate, and round structures with opal polycarbonate diffuser. Strip LED on polycarbonate diffuser.

**Power input:** 11W

**Light emission direction:** Direct

**Hanging cables:**  
Stainless steel cables standard length 2000 mm (78 3/4"),  
Electric cable standard length 2500 mm (100")

**Materials:** Aluminum structure, opal polycarbonate diffuser

**Electrical:** High efficiency electronic power supply, rated 50,000 hours 120V-277V

**Dimming:** Power supply compatible with 0-10V

**Structure finish:** Matt white, embossed black, gold



**Light source:** LED  
3000K: 90CRI  
4000K: 90CRI

**Degree of protection:** IP20

**Source lumens:** 1938 lm

**Delivered lumens:** 1322 lm

**Source efficacy:** 170 lm/W

SPECIFICATION SHEET

## ORDERING INFO

Model (Order Code)	Structure Finish	LED	Driver Options
<input type="radio"/> L032650357B10100	<input type="radio"/> Matt White <input type="radio"/> Embossed Black <input type="radio"/> Gold	<input type="radio"/> 3000K <input type="radio"/> 4000K	<input type="radio"/> 120V 0-10V Dimming <input type="radio"/> 277V 0-10V Dimming



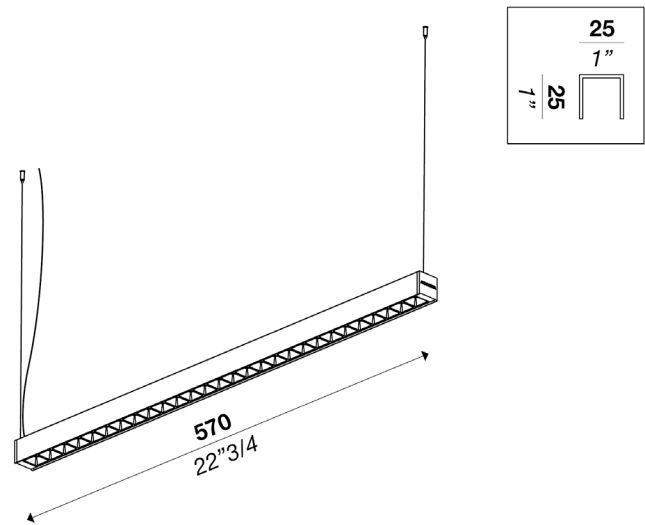
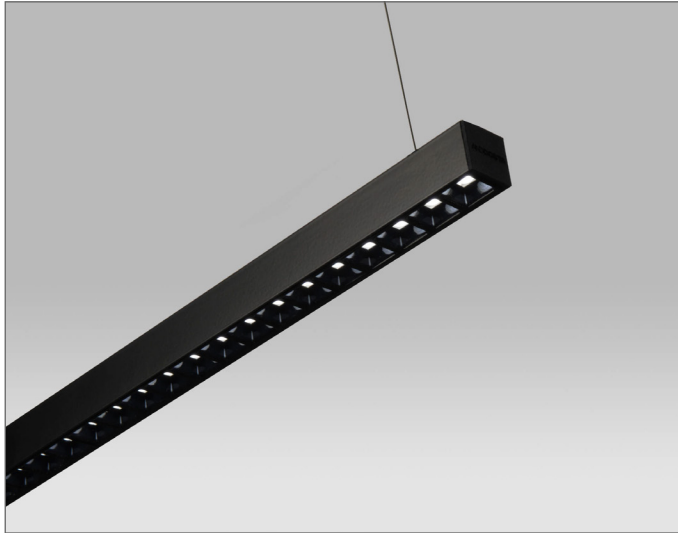
**Luminart®**

WWW.LUMINARTLIGHTING.COM

# DAYTONA™ LINEAR 600 TYPE:

SUSPENSION - DARKLIGHT DIFFUSER

PROJECT NAME:



Lighting modular system with direct light. Aluminum structure in matt white, embossed black or brass finish. Linear profiles with dark light optic diffuser, and round structures with opal polycarbonate diffuser. LED module on dark light optic diffuser.

**Structure finish:** Matt white, embossed black, gold



**Power input:** 15W

**Light source:** LED  
3000K: 90CRI  
4000K: 90CRI

**Light emission direction:** Direct

**Degree of protection:** IP20

**Hanging cables:**

Stainless steel cables standard length 2000 mm (78 3/4),  
Electric cable standard length 2500 mm (100")

**Source lumens:** 2175 lm

**Materials:** Aluminum structure, PMMA dark light diffuser

**Delivered lumens:** 1279 lm

**Electrical:** High efficiency electronic power supply, rated  
50,000 hours 120V-277V

**Source efficacy:** 145 lm/W

**Dimming:** Power supply compatible with 0-10V

SPECIFICATION SHEET

## ORDERING INFO

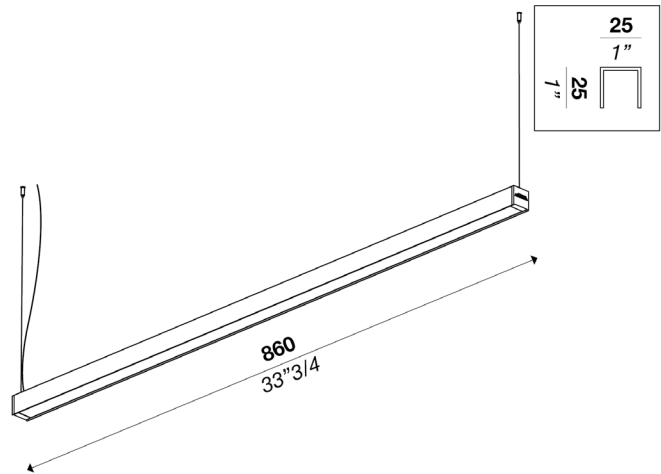
Model (Order Code)	Structure Finish	LED	Driver Options
<input type="radio"/> L032650357B10140	<input type="radio"/> Matt White <input type="radio"/> Embossed Black <input type="radio"/> Gold	<input type="radio"/> 3000K <input type="radio"/> 4000K	<input type="radio"/> 120V 0-10V Dimming <input type="radio"/> 277V 0-10V Dimming



# DAYTONA™ LINEAR 800 TYPE:

SUSPENSION - OPAL DIFFUSER

PROJECT NAME:



Lighting modular system with direct light. Aluminum structure in matt white, embossed black or gold finish. Linear profiles with opal polycarbonate, and round structures with opal polycarbonate diffuser. Strip LED on polycarbonate diffuser.

**Power input:** 17W

**Light emission direction:** Direct

**Hanging cables:**

Stainless steel cables standard length 2000 mm (78 3/4"),  
Electric cable standard length 2500 mm (100")

**Materials:** Aluminum structure, opal polycarbonate diffuser

**Electrical:** High efficiency electronic power supply, rated 50,000 hours 120V-277V

**Dimming:** Power supply compatible with 0-10V

**Structure finish:** Matt white, embossed black, gold



**Light source:** LED

3000K: 90CRI  
4000K: 90CRI

**Degree of protection:** IP20

**Source lumens:** 2924 lm

**Delivered lumens:** 1581 lm

**Source efficacy:** 170 lm/W

SPECIFICATION SHEET

## ORDERING INFO

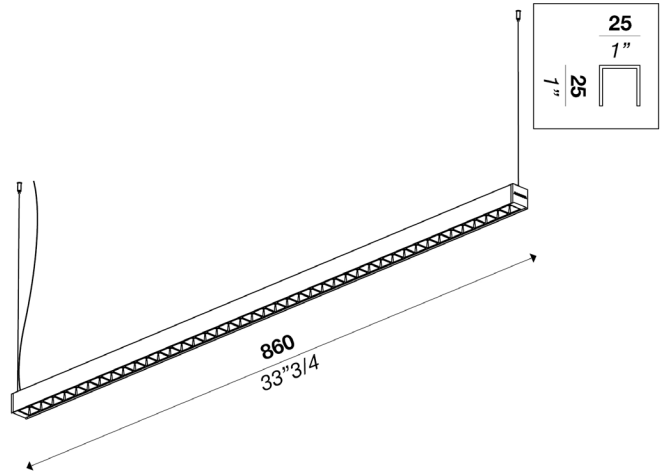
Model (Order Code)	Structure Finish	LED	Driver Options
<input type="radio"/> L032650386B10100	<input type="radio"/> Matt White <input type="radio"/> Embossed Black <input type="radio"/> Gold	<input type="radio"/> 3000K <input type="radio"/> 4000K	<input type="radio"/> 120V 0-10V Dimming <input type="radio"/> 277V 0-10V Dimming



# DAYTONA™ LINEAR 800 TYPE:

SUSPENSION - DARKLIGHT DIFFUSER

PROJECT NAME:



Lighting modular system with direct light. Aluminum structure in matt white, embossed black or brass finish. Linear profiles with dark light optic diffuser, and round structures with opal polycarbonate diffuser. LED module on dark light optic diffuser.

**Power input:** 23W

**Light emission direction:** Direct

**Hanging cables:**

Stainless steel cables standard length 2000 mm (78 3/4), Electric cable standard length 2500 mm (100")

**Materials:** Aluminum structure, PMMA dark light diffuser

**Electrical:** High efficiency electronic power supply, rated 50,000 hours 120V-277V

**Dimming:** Power supply compatible with 0-10V

**Structure finish:** Matt white, embossed black, gold



**Light source:** LED

3000K: 90CRI

4000K: 90CRI

**Degree of protection:** IP20

**Source lumens:** 3263 lm

**Delivered lumens:** 2010 lm

**Source efficacy:** 145 lm/W

SPECIFICATION SHEET

## ORDERING INFO

Model (Order Code)	Structure Finish	LED	Driver Options
<input type="radio"/> L032650386B10140	<input type="radio"/> Matt White <input type="radio"/> Embossed Black <input type="radio"/> Gold	<input type="radio"/> 3000K <input type="radio"/> 4000K	<input type="radio"/> 120V 0-10V Dimming <input type="radio"/> 277V 0-10V Dimming

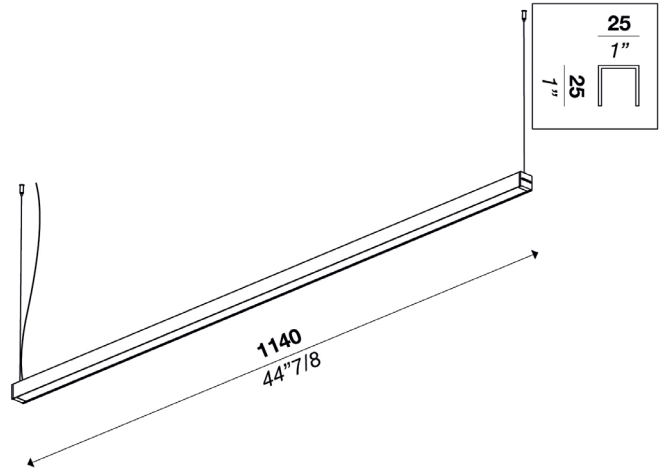


# DAYTONA™ LINEAR 1100

SUSPENSION - OPAL DIFFUSER

TYPE:

PROJECT NAME:



Lighting modular system with direct light. Aluminum structure in matt white, embossed black or gold finish. Linear profiles with opal polycarbonate, and round structures with opal polycarbonate diffuser. Strip LED on polycarbonate diffuser.

**Power input:** 23W

**Light emission direction:** Direct

**Hanging cables:**

Stainless steel cables standard length 2000 mm (78 3/4),  
Electric cable standard length 2500 mm (100")

**Materials:** Aluminum structure, opal polycarbonate diffuser

**Electrical:** High efficiency electronic power supply, rated  
50,000 hours 120V-277V

**Dimming:** Power supply compatible with 0-10V

**Structure finish:** Matt white, embossed black, gold



**Light source:** LED

3000K: 90CRI

4000K: 90CRI

**Degree of protection:** IP20

**Source lumens:** 3876 lm

**Delivered lumens:** 2108 lm

**Source efficacy:** 170 lm/W

SPECIFICATION SHEET

## ORDERING INFO

Model (Order Code)	Structure Finish	LED	Driver Options
<input type="radio"/> L032650311B10100	<input type="radio"/> Matt White <input type="radio"/> Embossed Black <input type="radio"/> Gold	<input type="radio"/> 3000K <input type="radio"/> 4000K	<input type="radio"/> 120V 0-10V Dimming <input type="radio"/> 277V 0-10V Dimming



**Luminart®**

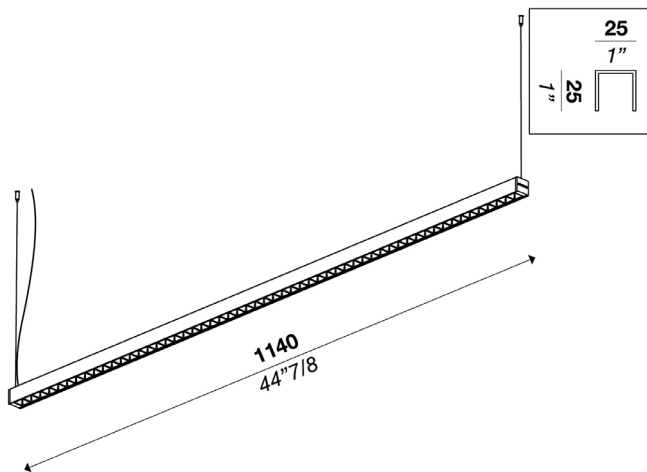
WWW.LUMINARTLIGHTING.COM

# DAYTONA™ LINEAR 1100

SUSPENSION - DARKLIGHT DIFFUSER

TYPE:

PROJECT NAME:



Lighting modular system with direct light. Aluminum structure in matt white, embossed black or brass finish. Linear profiles with dark light optic diffuser, and round structures with opal polycarbonate diffuser. LED module on dark light optic diffuser.

**Power input:** 30W

**Light emission direction:** Direct

**Hanging cables:**

Stainless steel cables standard length 2000 mm (78 3/4), Electric cable standard length 2500 mm (100")

**Materials:** Aluminum structure, PMMA dark light diffuser

**Electrical:** High efficiency electronic power supply, rated 50,000 hours 120V-277V

**Dimming:** Power supply compatible with 0-10V

**Structure finish:** Matt white, embossed black, gold



**Light source:** LED

3000K: 90CRI

4000K: 90CRI

**Degree of protection:** IP20

**Source lumens:** 4350 lm

**Delivered lumens:** 2649 lm

**Source efficacy:** 145 lm/W

SPECIFICATION SHEET

## ORDERING INFO

Model (Order Code)	Structure Finish	LED	Driver Options
<input type="radio"/> L032650311B10140	<input type="radio"/> Matt White <input type="radio"/> Embossed Black <input type="radio"/> Gold	<input type="radio"/> 3000K <input type="radio"/> 4000K	<input type="radio"/> 120V 0-10V Dimming <input type="radio"/> 277V 0-10V Dimming



**Luminart®**

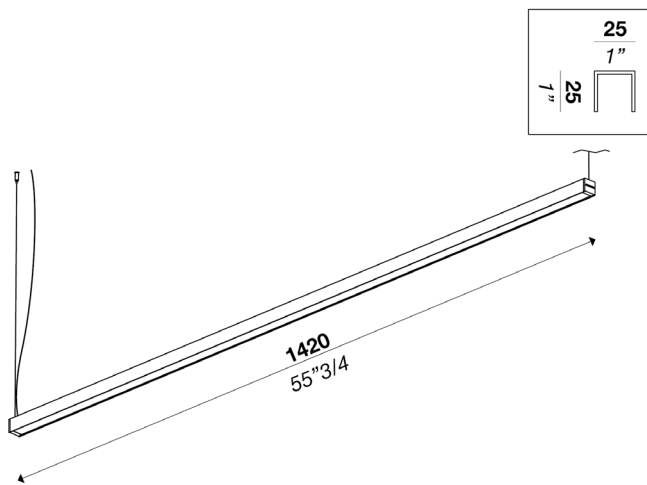
WWW.LUMINARTLIGHTING.COM

# DAYTONA™ LINEAR 1400

SUSPENSION - OPAL DIFFUSER

TYPE:

PROJECT NAME:



Lighting modular system with direct light. Aluminum structure in matt white, embossed black or gold finish. Linear profiles with opal polycarbonate, and round structures with opal polycarbonate diffuser. Strip LED on polycarbonate diffuser.

**Power input:** 28W

**Light emission direction:** Direct

**Hanging cables:**

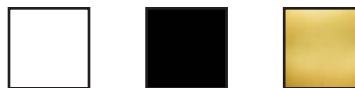
Stainless steel cables standard length 2000 mm (78 3/4),  
Electric cable standard length 2500 mm (100")

**Materials:** Aluminum structure, opal polycarbonate diffuser

**Electrical:** High efficiency electronic power supply, rated  
50,000 hours 120V-277V

**Dimming:** Power supply compatible with 0-10V

**Structure finish:** Matt white, embossed black, gold



**Light source:** LED

3000K: 90CRI  
4000K: 90CRI

**Degree of protection:** IP20

**Source lumens:** 4828 lm

**Delivered lumens:** 2635 lm

**Source efficacy:** 170 lm/W

SPECIFICATION SHEET

## ORDERING INFO

Model (Order Code)	Structure Finish	LED	Driver Options
<input type="radio"/> L032650314B10100	<input type="radio"/> Matt White <input type="radio"/> Embossed Black <input type="radio"/> Gold	<input type="radio"/> 3000K <input type="radio"/> 4000K	<input type="radio"/> 120V 0-10V Dimming <input type="radio"/> 277V 0-10V Dimming



**Luminart®**

WWW.LUMINARTLIGHTING.COM

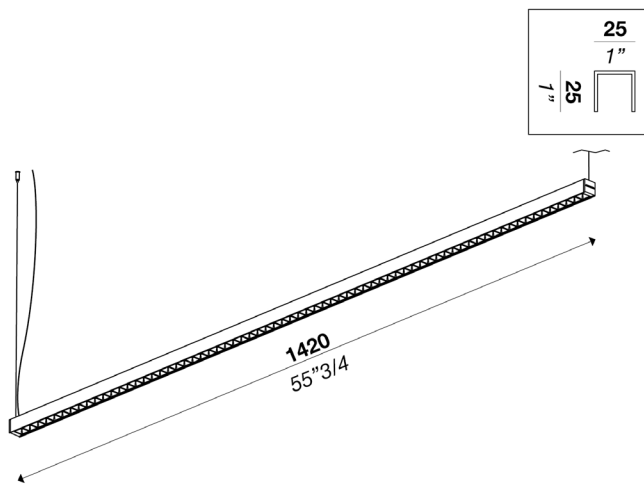


# DAYTONA™ LINEAR 1400

SUSPENSION - DARKLIGHT DIFFUSER

TYPE:

PROJECT NAME:



Lighting modular system with direct light. Aluminum structure in matt white, embossed black or brass finish. Linear profiles with dark light optic diffuser, and round structures with opal polycarbonate diffuser. LED module on dark light optic diffuser.

**Power input:** 38W

**Light emission direction:** Direct

**Hanging cables:**

Stainless steel cables standard length 2000 mm (78 3/4), Electric cable standard length 2500 mm (100")

**Materials:** Aluminum structure, PMMA dark light diffuser

**Electrical:** High efficiency electronic power supply, rated 50,000 hours 120V-277V

**Dimming:** Power supply compatible with 0-10V

**Structure finish:** Matt white, embossed black, gold



**Light source:** LED

3000K: 90CRI

4000K: 90CRI

**Degree of protection:** IP20

**Source lumens:** 5438 lm

**Delivered lumens:** 3289 lm

**Source efficacy:** 145 lm/W

SPECIFICATION SHEET

## ORDERING INFO

Model (Order Code)	Structure Finish	LED	Driver Options
<input type="radio"/> L032650314B10140	<input type="radio"/> Matt White <input type="radio"/> Embossed Black <input type="radio"/> Gold	<input type="radio"/> 3000K <input type="radio"/> 4000K	<input type="radio"/> 120V 0-10V Dimming <input type="radio"/> 277V 0-10V Dimming



**Luminart®**

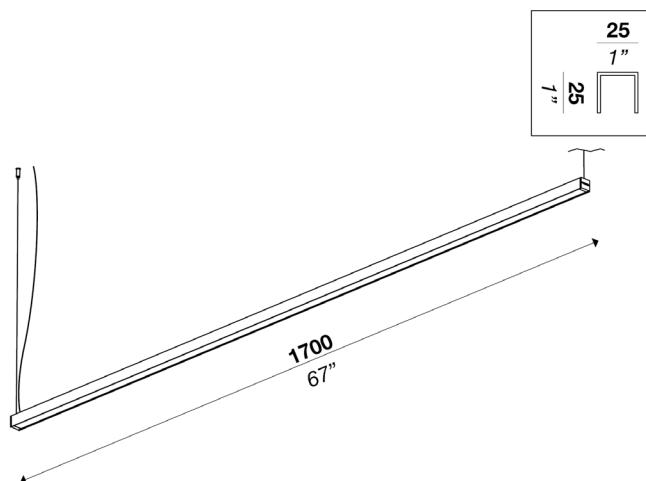
WWW.LUMINARTLIGHTING.COM

# DAYTONA™ LINEAR 1700

SUSPENSION - OPAL DIFFUSER

TYPE:

PROJECT NAME:



Lighting modular system with direct light. Aluminum structure in matt white, embossed black or gold finish. Linear profiles with opal polycarbonate, and round structures with opal polycarbonate diffuser. Strip LED on polycarbonate diffuser.

**Power input:** 34W

**Light emission direction:** Direct

**Hanging cables:**

Stainless steel cables standard length 2000 mm (78"3/4),  
Electric cable standard length 2500 mm (100")

**Materials:** Aluminum structure, opal polycarbonate diffuser

**Electrical:** High efficiency electronic power supply, rated  
50,000 hours 120V-277V

**Dimming:** Power supply compatible with 0-10V

**Structure finish:** Matt white, embossed black, gold



**Light source:** LED

3000K: 90CRI

4000K: 90CRI

**Degree of protection:** IP20

**Source lumens:** 5780 lm

**Delivered lumens:** 3057 lm

**Source efficacy:** 170 lm/W

SPECIFICATION SHEET

## ORDERING INFO

Model (Order Code)	Structure Finish	LED	Driver Options
<input type="radio"/> L032650317B10100	<input type="radio"/> Matt White <input type="radio"/> Embossed Black <input type="radio"/> Gold	<input type="radio"/> 3000K <input type="radio"/> 4000K	<input type="radio"/> 120V 0-10V Dimming <input type="radio"/> 277V 0-10V Dimming



**Luminart®**

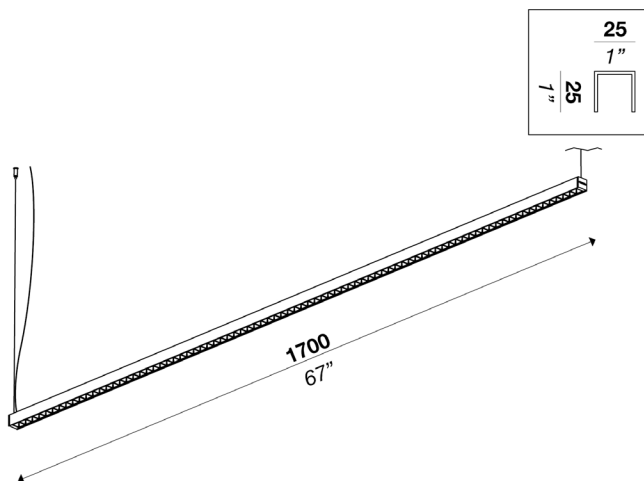
WWW.LUMINARTLIGHTING.COM

# DAYTONA™ LINEAR 1700

SUSPENSION - DARKLIGHT DIFFUSER

TYPE:

PROJECT NAME:



Lighting modular system with direct light. Aluminum structure in matt white, embossed black or brass finish. Linear profiles with dark light optic diffuser, and round structures with opal polycarbonate diffuser. LED module on dark light optic diffuser.

**Power input:** 45W

**Light emission direction:** Direct

**Hanging cables:**

Stainless steel cables standard length 2000 mm (78 3/4),  
Electric cable standard length 2500 mm (100")

**Materials:** Aluminum structure, PMMA dark light diffuser

**Electrical:** High efficiency electronic power supply, rated  
50,000 hours 120V-277V

**Dimming:** Power supply compatible with 0-10V

**Structure finish:** Matt white, embossed black, gold



**Light source:** LED

3000K: 90CRI

4000K: 90CRI

**Degree of protection:** IP20

**Source lumens:** 6525 lm

**Delivered lumens:** 3928 lm

**Source efficacy:** 145 lm/W

SPECIFICATION SHEET

## ORDERING INFO

Model (Order Code)	Structure Finish	LED	Driver Options
<input type="radio"/> L032650317B10140	<input type="radio"/> Matt White <input type="radio"/> Embossed Black <input type="radio"/> Gold	<input type="radio"/> 3000K <input type="radio"/> 4000K	<input type="radio"/> 120V 0-10V Dimming <input type="radio"/> 277V 0-10V Dimming



**Luminart®**

WWW.LUMINARTLIGHTING.COM