

DAYTONA™ OVAL

SUSPENSION

TYPE:

PROJECT NAME:

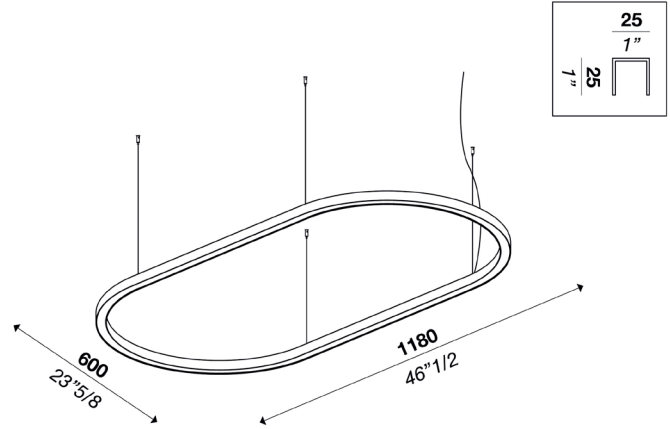


SPECIFICATION SHEET

DAYTONA™ OVAL 6x12 TYPE:

SUSPENSION - OPAL DIFFUSER

PROJECT NAME:



Lighting modular system with direct light. Aluminum structure in matt white, embossed black or gold finish. Linear profiles with opal polycarbonate, and round structures with opal polycarbonate diffuser. Strip LED on polycarbonate diffuser.

Power input: 60W

Light emission direction: Direct

Hanging cables:
Stainless steel cables standard length 2000 mm (78 3/4),
Electric cable standard length 2500 mm (100")

Materials: Aluminum structure, opal polycarbonate diffuser

Electrical: High efficiency electronic power supply, rated 50,000 hours 120V-277V

Dimming: Power supply compatible with 0-10V

Structure finish: Matt white, embossed black, gold



Light source: LED
3000K: 90CRI
4000K: 90CRI

Degree of protection: IP20

Source lumens: 7560 lm

Delivered lumens: 4728 lm

Source efficacy: 125 lm/W

SPECIFICATION SHEET

ORDERING INFO

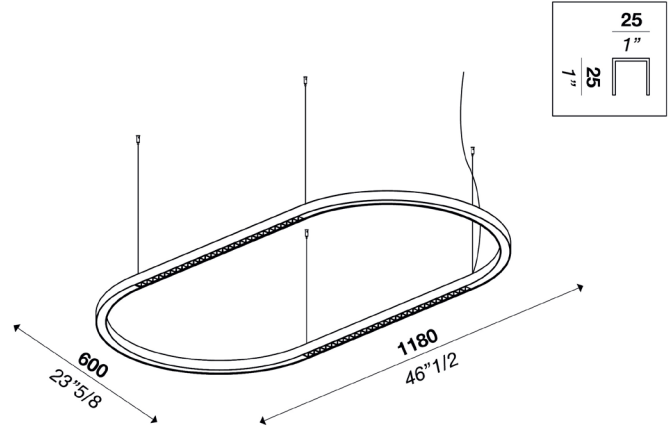
Model (Order Code)	Structure Finish	LED	Driver Options
<input type="radio"/> L032650356B10100	<input type="radio"/> Matt White <input type="radio"/> Embossed Black <input type="radio"/> Gold	<input type="radio"/> 3000K <input type="radio"/> 4000K	<input type="radio"/> 120V 0-10V Dimming <input type="radio"/> 277V 0-10V Dimming



DAYTONA™ OVAL 6x12 TYPE:

SUSPENSION - DARKLIGHT DIFFUSER

PROJECT NAME:



Lighting modular system with direct light. Aluminum structure in matt white, embossed black or brass finish. Linear profiles with dark light optic diffuser, and round structures with opal polycarbonate diffuser. LED module on dark light optic diffuser.

Power input: 68W

Light emission direction: Direct

Hanging cables:
Stainless steel cables standard length 2000 mm (78"3/4),
Electric cable standard length 2500 mm (100")

Materials: Aluminum structure, PMMA dark light diffuser

Electrical: High efficiency electronic power supply, rated 50,000 hours 120V-277V

Dimming: Power supply compatible with 0-10V

Structure finish: Matt white, embossed black, gold



Light source: LED
3000K: 90CRI
4000K: 90CRI

Degree of protection: IP20

Source lumens: 9137 lm

Delivered lumens: 5608 lm

Source efficacy: 135 lm/W

SPECIFICATION SHEET

ORDERING INFO

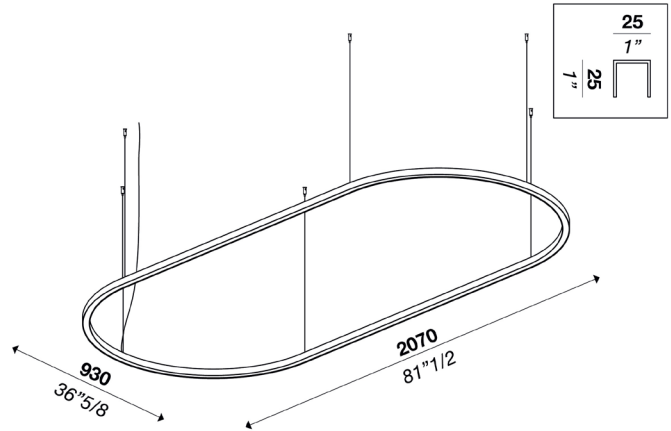
Model (Order Code)	Structure Finish	LED	Driver Options
<input type="radio"/> L032650356B10140	<input type="radio"/> Matt White <input type="radio"/> Embossed Black <input type="radio"/> Gold	<input type="radio"/> 3000K <input type="radio"/> 4000K	<input type="radio"/> 120V 0-10V Dimming <input type="radio"/> 277V 0-10V Dimming



DAYTONA™ OVAL 9x20 TYPE:

SUSPENSION - OPAL DIFFUSER

PROJECT NAME:



Lighting modular system with direct light. Aluminum structure in matt white, embossed black or gold finish. Linear profiles with opal polycarbonate, and round structures with opal polycarbonate diffuser. Strip LED on polycarbonate diffuser.

Power input: 102W

Light emission direction: Direct

Hanging cables:
Stainless steel cables standard length 2000 mm (78"3/4),
Electric cable standard length 2500 mm (100")

Materials: Aluminum structure, opal polycarbonate diffuser

Electrical: High efficiency electronic power supply, rated 50,000 hours 120V-277V

Dimming: Power supply compatible with 0-10V

Structure finish: Matt white, embossed black, gold



Light source: LED
3000K: 90CRI
4000K: 90CRI

Degree of protection: IP20

Source lumens: 12765 lm

Delivered lumens: 7518 lm

Source efficacy: 125 lm/W

SPECIFICATION SHEET

ORDERING INFO

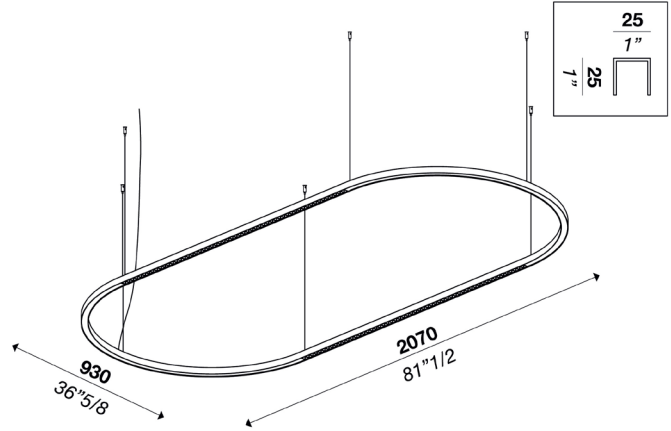
Model (Order Code)	Structure Finish	LED	Driver Options
<input type="radio"/> L032650324B10100	<input type="radio"/> Matt White <input type="radio"/> Embossed Black <input type="radio"/> Gold	<input type="radio"/> 3000K <input type="radio"/> 4000K	<input type="radio"/> 120V 0-10V Dimming <input type="radio"/> 277V 0-10V Dimming



DAYTONA™ OVAL 9x20 TYPE:

SUSPENSION - DARKLIGHT DIFFUSER

PROJECT NAME:



Lighting modular system with direct light. Aluminum structure in matt white, embossed black or brass finish. Linear profiles with dark light optic diffuser, and round structures with opal polycarbonate diffuser. LED module on dark light optic diffuser.

Power input: 117W

Light emission direction: Direct

Hanging cables:
Stainless steel cables standard length 2000 mm (78"3/4),
Electric cable standard length 2500 mm (100")

Materials: Aluminum structure, PMMA dark light diffuser

Electrical: High efficiency electronic power supply, rated 50,000 hours 120V-277V

Dimming: Power supply compatible with 0-10V

Structure finish: Matt white, embossed black, gold



Light source: LED
3000K: 90CRI
4000K: 90CRI

Degree of protection: IP20

Source lumens: 15730 lm

Delivered lumens: 9626 lm

Source efficacy: 135 lm/W

SPECIFICATION SHEET

ORDERING INFO

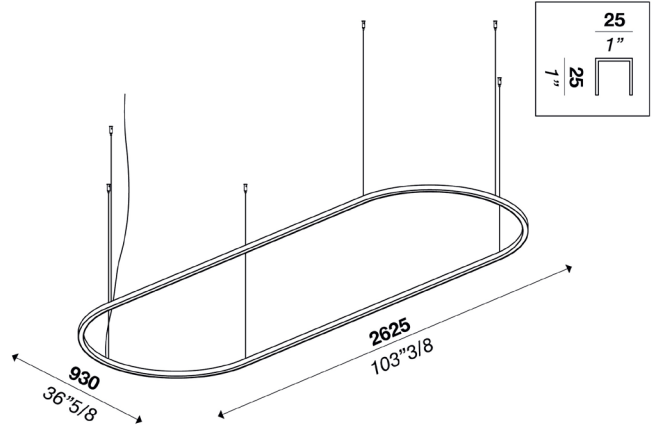
Model (Order Code)	Structure Finish	LED	Driver Options
<input type="radio"/> L032650324B10140	<input type="radio"/> Matt White <input type="radio"/> Embossed Black <input type="radio"/> Gold	<input type="radio"/> 3000K <input type="radio"/> 4000K	<input type="radio"/> 120V 0-10V Dimming <input type="radio"/> 277V 0-10V Dimming



DAYTONA™ OVAL 9x26 TYPE:

SUSPENSION - OPAL DIFFUSER

PROJECT NAME:



Lighting modular system with direct light. Aluminum structure in matt white, embossed black or gold finish. Linear profiles with opal polycarbonate, and round structures with opal polycarbonate diffuser. Strip LED on polycarbonate diffuser.

Power input: 125W

Light emission direction: Direct

Hanging cables:
Stainless steel cables standard length 2000 mm (78"3/4),
Electric cable standard length 2500 mm (100")

Materials: Aluminum structure, opal polycarbonate diffuser

Electrical: High efficiency electronic power supply, rated 50,000 hours 120V-277V

Dimming: Power supply compatible with 0-10V

Structure finish: Matt white, embossed black, gold



Light source: LED
3000K: 90CRI
4000K: 90CRI

Degree of protection: IP20

Source lumens: 15565 lm

Delivered lumens: 9688 lm

Source efficacy: 125 lm/W

SPECIFICATION SHEET

ORDERING INFO

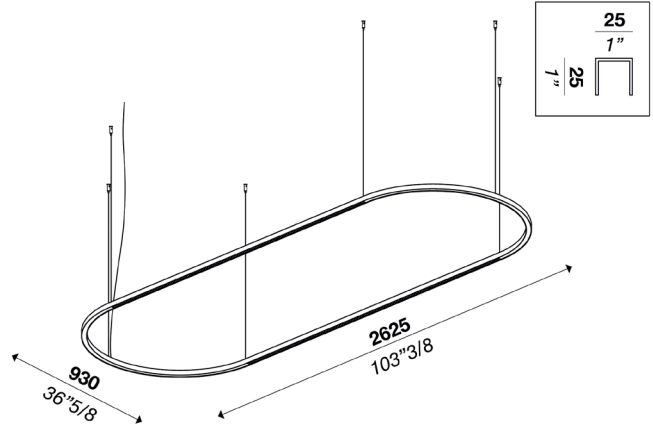
Model (Order Code)	Structure Finish	LED	Driver Options
<input type="radio"/> L032650326B10100	<input type="radio"/> Matt White <input type="radio"/> Embossed Black <input type="radio"/> Gold	<input type="radio"/> 3000K <input type="radio"/> 4000K	<input type="radio"/> 120V 0-10V Dimming <input type="radio"/> 277V 0-10V Dimming



DAYTONA™ OVAL 9x26 TYPE:

SUSPENSION - DARKLIGHT DIFFUSER

PROJECT NAME:



Lighting modular system with direct light. Aluminum structure in matt white, embossed black or brass finish. Linear profiles with dark light optic diffuser, and round structures with opal polycarbonate diffuser. LED module on dark light optic diffuser.

Power input: 147W

Light emission direction: Direct

Hanging cables:
Stainless steel cables standard length 2000 mm (78"3/4),
Electric cable standard length 2500 mm (100")

Materials: Aluminum structure, PMMA dark light diffuser

Electrical: High efficiency electronic power supply, rated 50,000 hours 120V-277V

Dimming: Power supply compatible with 0-10V

Structure finish: Matt white, embossed black, gold



Light source: LED
3000K: 90CRI
4000K: 90CRI

Degree of protection: IP20

Source lumens: 19780 lm

Delivered lumens: 11969 lm

Source efficacy: 135 lm/W

SPECIFICATION SHEET

ORDERING INFO

Model (Order Code)	Structure Finish	LED	Driver Options
<input type="radio"/> L032650326B10140	<input type="radio"/> Matt White <input type="radio"/> Embossed Black <input type="radio"/> Gold	<input type="radio"/> 3000K <input type="radio"/> 4000K	<input type="radio"/> 120V 0-10V Dimming <input type="radio"/> 277V 0-10V Dimming

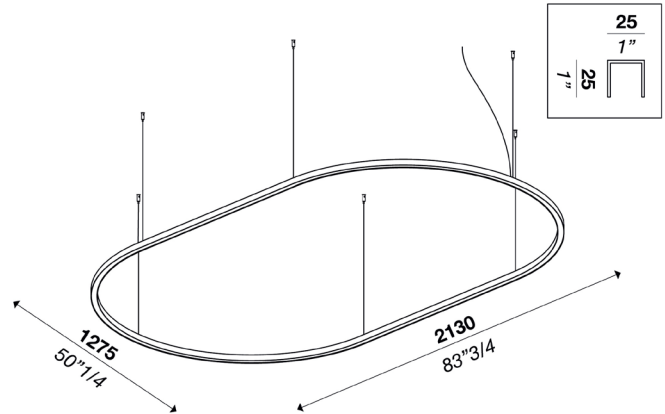


DAYTONA™ OVAL 12x20

SUSPENSION - OPAL DIFFUSER

TYPE:

PROJECT NAME:



Lighting modular system with direct light. Aluminum structure in matt white, embossed black or gold finish. Linear profiles with opal polycarbonate, and round structures with opal polycarbonate diffuser. Strip LED on polycarbonate diffuser.

Power input: 114W

Light emission direction: Direct

Hanging cables:
Stainless steel cables standard length 2000 mm (78 3/4"),
Electric cable standard length 2500 mm (100")

Materials: Aluminum structure, opal polycarbonate diffuser

Electrical: High efficiency electronic power supply, rated 50,000 hours 120V-277V

Dimming: Power supply compatible with 0-10V

Structure finish: Matt white, embossed black, gold



Light source: LED
3000K: 90CRI
4000K: 90CRI

Degree of protection: IP20

Source lumens: 14270 lm

Delivered lumens: 8913 lm

Source efficacy: 125 lm/W

SPECIFICATION SHEET

ORDERING INFO

Model (Order Code)	Structure Finish	LED	Driver Options
<input type="radio"/> L032650387B10100	<input type="radio"/> Matt White <input type="radio"/> Embossed Black <input type="radio"/> Gold	<input type="radio"/> 3000K <input type="radio"/> 4000K	<input type="radio"/> 120V 0-10V Dimming <input type="radio"/> 277V 0-10V Dimming

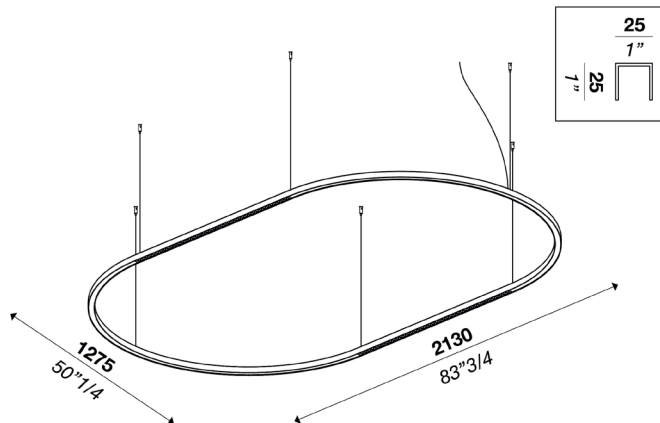


DAYTONA™ OVAL 12x20

SUSPENSION - DARKLIGHT DIFFUSER

TYPE:

PROJECT NAME:



Lighting modular system with direct light. Aluminum structure in matt white, embossed black or brass finish. Linear profiles with dark light optic diffuser, and round structures with opal polycarbonate diffuser. LED module on dark light optic diffuser.

Power input: 125W

Light emission direction: Direct

Hanging cables:

Stainless steel cables standard length 2000 mm (78"3/4), Electric cable standard length 2500 mm (100")

Materials: Aluminum structure, PMMA dark light diffuser

Electrical: High efficiency electronic power supply, rated 50,000 hours 120V-277V

Dimming: Power supply compatible with 0-10V

Structure finish: Matt white, embossed black, gold



Light source: LED

3000K: 90CRI

4000K: 90CRI

Degree of protection: IP20

Source lumens: 16842 lm

Delivered lumens: 10295 lm

Source efficacy: 135 lm/W

SPECIFICATION SHEET

ORDERING INFO

Model (Order Code)	Structure Finish	LED	Driver Options
<input type="radio"/> L032650387B10140	<input type="radio"/> Matt White <input type="radio"/> Embossed Black <input type="radio"/> Gold	<input type="radio"/> 3000K <input type="radio"/> 4000K	<input type="radio"/> 120V 0-10V Dimming <input type="radio"/> 277V 0-10V Dimming

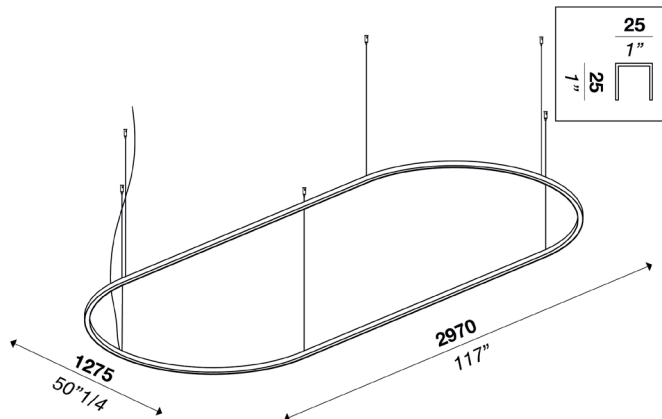


DAYTONA™ OVAL 12x30

SUSPENSION - OPAL DIFFUSER

TYPE:

PROJECT NAME:



Lighting modular system with direct light. Aluminum structure in matt white, embossed black or gold finish. Linear profiles with opal polycarbonate, and round structures with opal polycarbonate diffuser. Strip LED on polycarbonate diffuser.

Power input: 148W

Light emission direction: Direct

Hanging cables:

Stainless steel cables standard length 2000 mm (78 3/4),
Electric cable standard length 2500 mm (100")

Materials: Aluminum structure, opal polycarbonate diffuser

Electrical: High efficiency electronic power supply, rated 50,000 hours 120V-277V

Dimming: Power supply compatible with 0-10V

Structure finish: Matt white, embossed black, gold



Light source: LED

3000K: 90CRI
4000K: 90CRI

Degree of protection: IP20

Source lumens: 18470 lm

Delivered lumens: 11625 lm

Source efficacy: 125 lm/W

SPECIFICATION SHEET

ORDERING INFO

Model (Order Code)	Structure Finish	LED	Driver Options
<input type="radio"/> L032650329B10100	<input type="radio"/> Matt White <input type="radio"/> Embossed Black <input type="radio"/> Gold	<input type="radio"/> 3000K <input type="radio"/> 4000K	<input type="radio"/> 120V 0-10V Dimming <input type="radio"/> 277V 0-10V Dimming

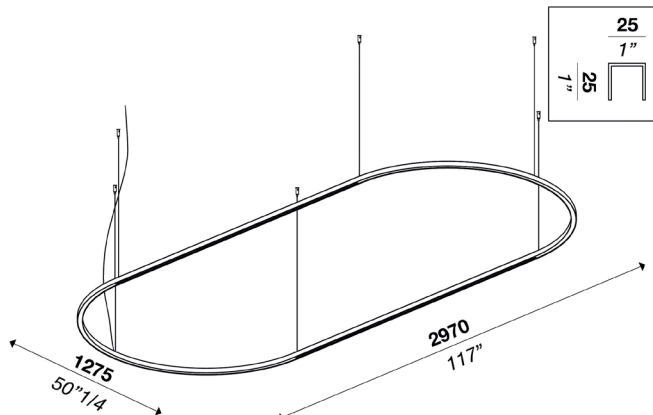


DAYTONA™ OVAL 12x30

SUSPENSION - DARKLIGHT DIFFUSER

TYPE:

PROJECT NAME:



Lighting modular system with direct light. Aluminum structure in matt white, embossed black or brass finish. Linear profiles with dark light optic diffuser, and round structures with opal polycarbonate diffuser. LED module on dark light optic diffuser.

Power input: 170W

Light emission direction: Direct

Hanging cables:

Stainless steel cables standard length 2000 mm (78 3/4), Electric cable standard length 2500 mm (100")

Materials: Aluminum structure, PMMA dark light diffuser

Electrical: High efficiency electronic power supply, rated 50,000 hours 120V-277V

Dimming: Power supply compatible with 0-10V

Structure finish: Matt white, embossed black, gold



Light source: LED

3000K: 90CRI

4000K: 90CRI

Degree of protection: IP20

Source lumens: 22917 lm

Delivered lumens: 13894 lm

Source efficacy: 135 lm/W

SPECIFICATION SHEET

ORDERING INFO

Model (Order Code)	Structure Finish	LED	Driver Options
<input type="radio"/> L032650329B10140	<input type="radio"/> Matt White <input type="radio"/> Embossed Black <input type="radio"/> Gold	<input type="radio"/> 3000K <input type="radio"/> 4000K	<input type="radio"/> 120V 0-10V Dimming <input type="radio"/> 277V 0-10V Dimming

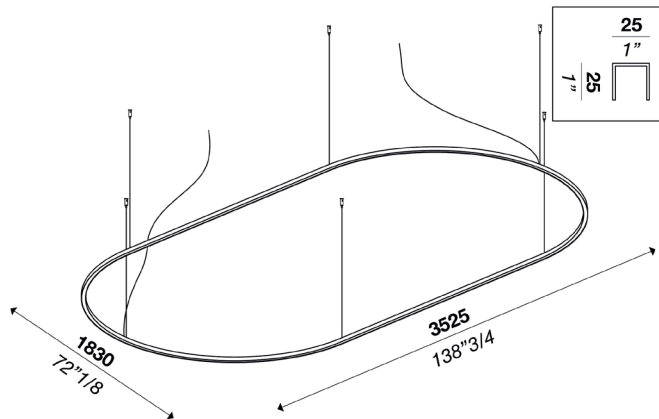


DAYTONA™ OVAL 18x35

SUSPENSION - OPAL DIFFUSER

TYPE:

PROJECT NAME:



Lighting modular system with direct light. Aluminum structure in matt white, embossed black or gold finish. Linear profiles with opal polycarbonate, and round structures with opal polycarbonate diffuser. Strip LED on polycarbonate diffuser.

Power input: 181W

Light emission direction: Direct

Hanging cables:

Stainless steel cables standard length 2000 mm (78"3/4),
Electric cable standard length 2500 mm (100")

Materials: Aluminum structure, opal polycarbonate diffuser

Electrical: High efficiency electronic power supply, rated 50,000 hours 120V-277V

Dimming: Power supply compatible with 0-10V

Structure finish: Matt white, embossed black, gold



Light source: LED

3000K: 90CRI
4000K: 90CRI

Degree of protection: IP20

Source lumens: 22630 lm

Delivered lumens: 14028 lm

Source efficacy: 125 lm/W

SPECIFICATION SHEET

ORDERING INFO

Model (Order Code)	Structure Finish	LED	Driver Options
<input type="radio"/> L032650335B10100	<input type="radio"/> Matt White <input type="radio"/> Embossed Black <input type="radio"/> Gold	<input type="radio"/> 3000K <input type="radio"/> 4000K	<input type="radio"/> 120V 0-10V Dimming <input type="radio"/> 277V 0-10V Dimming

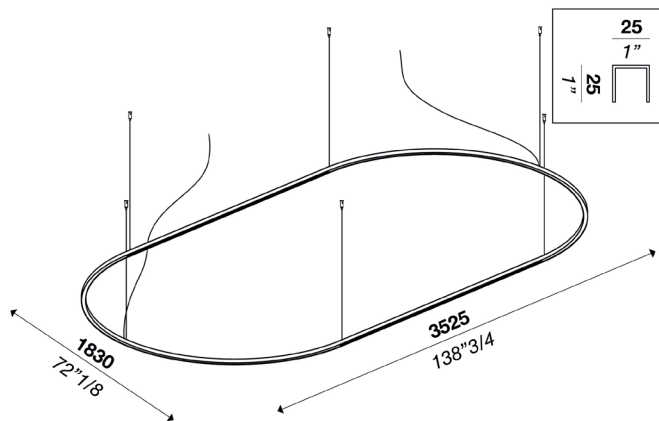


DAYTONA™ OVAL 18x35

SUSPENSION - DARKLIGHT DIFFUSER

TYPE:

PROJECT NAME:



Lighting modular system with direct light. Aluminum structure in matt white, embossed black or brass finish. Linear profiles with dark light optic diffuser, and round structures with opal polycarbonate diffuser. LED module on dark light optic diffuser.

Power input: 203W

Light emission direction: Direct

Hanging cables:
Stainless steel cables standard length 2000 mm (78 3/4),
Electric cable standard length 2500 mm (100")

Materials: Aluminum structure, PMMA dark light diffuser

Electrical: High efficiency electronic power supply, rated 50,000 hours 120V-277V

Dimming: Power supply compatible with 0-10V

Structure finish: Matt white, embossed black, gold



Light source: LED
3000K: 90CRI
4000K: 90CRI

Degree of protection: IP20

Source lumens: 27410 lm

Delivered lumens: 16656 lm

Source efficacy: 135 lm/W

SPECIFICATION SHEET

ORDERING INFO

Model (Order Code)	Structure Finish	LED	Driver Options
<input type="radio"/> L032650335B10140	<input type="radio"/> Matt White <input type="radio"/> Embossed Black <input type="radio"/> Gold	<input type="radio"/> 3000K <input type="radio"/> 4000K	<input type="radio"/> 120V 0-10V Dimming <input type="radio"/> 277V 0-10V Dimming



Luminart®

WWW.LUMINARTLIGHTING.COM