

**DAYTONA™ RECTANGULAR**  
SUSPENSION

**TYPE:**

**PROJECT NAME:**



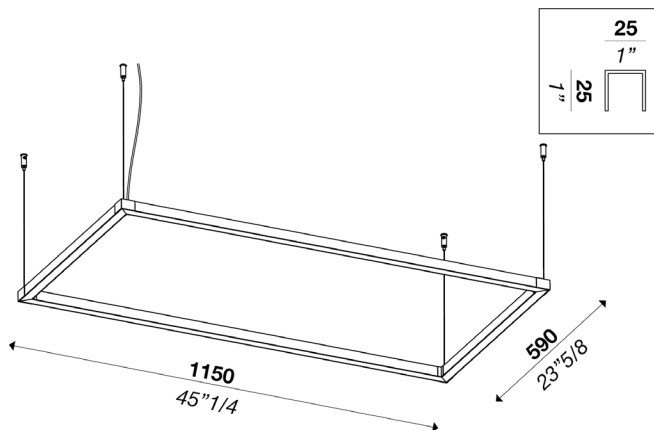
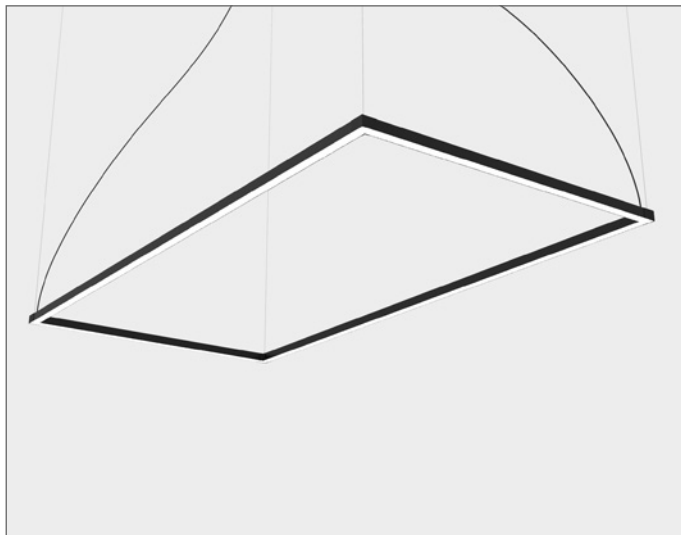
SPECIFICATION SHEET

# DAYTONA™ RECTANGULAR 6x12

SUSPENSION - OPAL DIFFUSER

TYPE:

PROJECT NAME:



Lighting modular system with direct light. Aluminum structure in matt white, embossed black or gold finish. Linear profiles with opal polycarbonate, and round structures with opal polycarbonate diffuser. Strip LED on polycarbonate diffuser.

**Power input:** 72W

**Light emission direction:** Direct

**Hanging cables:**

Stainless steel cables standard length 2000 mm (78 3/4),  
Electric cable standard length 2500 mm (100")

**Materials:** Aluminum structure, opal polycarbonate diffuser

**Electrical:** High efficiency electronic power supply, rated  
50,000 hours 120V-277V

**Dimming:** Power supply compatible with 0-10V

**Structure finish:** Matt white, embossed black, gold



**Light source:** LED

3000K: 90CRI

4000K: 90CRI

**Degree of protection:** IP20

**Source lumens:** 12240 lm

**Delivered lumens:** 7378 lm

**Source efficacy:** 170 lm/W

SPECIFICATION SHEET

## ORDERING INFO

Model (Order Code)	Structure Finish	LED	Driver Options
<input type="radio"/> L032650340B10100	<input type="radio"/> Matt White <input type="radio"/> Embossed Black <input type="radio"/> Gold	<input type="radio"/> 3000K <input type="radio"/> 4000K	<input type="radio"/> 120V 0-10V Dimming <input type="radio"/> 277V 0-10V Dimming

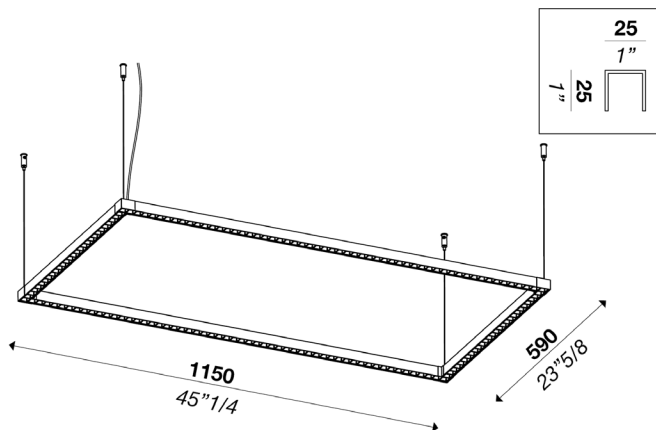
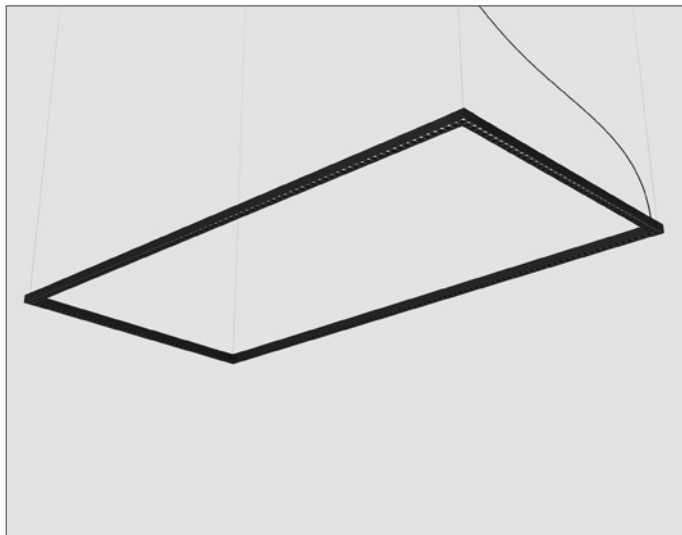


# DAYTONA™ RECTANGULAR 6x12

SUSPENSION - DARKLIGHT DIFFUSER

TYPE:

PROJECT NAME:



Lighting modular system with direct light. Aluminum structure in matt white, embossed black or brass finish. Linear profiles with dark light optic diffuser, and round structures with opal polycarbonate diffuser. LED module on dark light optic diffuser.

**Structure finish:** Matt white, embossed black, gold



**Power input:** 90W

**Light source:** LED  
3000K: 90CRI  
4000K: 90CRI

**Light emission direction:** Direct

**Hanging cables:**

Stainless steel cables standard length 2000 mm (78 3/4),  
Electric cable standard length 2500 mm (100")

**Degree of protection:** IP20

**Materials:** Aluminum structure, PMMA dark light diffuser

**Source lumens:** 13050 lm

**Electrical:** High efficiency electronic power supply, rated  
50,000 hours 120V-277V

**Delivered lumens:** 8091 lm

**Dimming:** Power supply compatible with 0-10V

**Source efficacy:** 145 lm/W

SPECIFICATION SHEET

## ORDERING INFO

Model (Order Code)	Structure Finish	LED	Driver Options
<input type="radio"/> L032650340B10140	<input type="radio"/> Matt White <input type="radio"/> Embossed Black <input type="radio"/> Gold	<input type="radio"/> 3000K <input type="radio"/> 4000K	<input type="radio"/> 120V 0-10V Dimming <input type="radio"/> 277V 0-10V Dimming

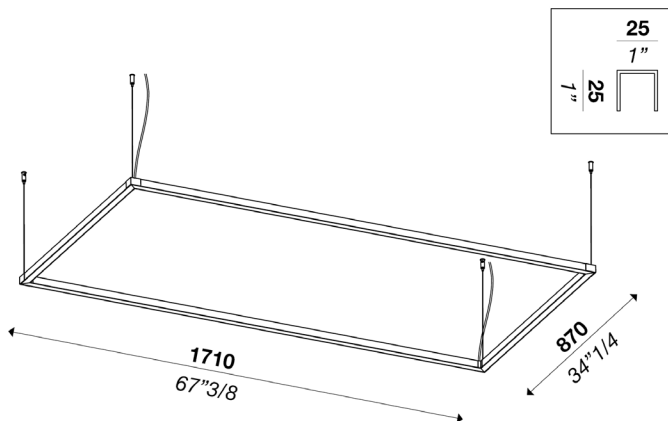
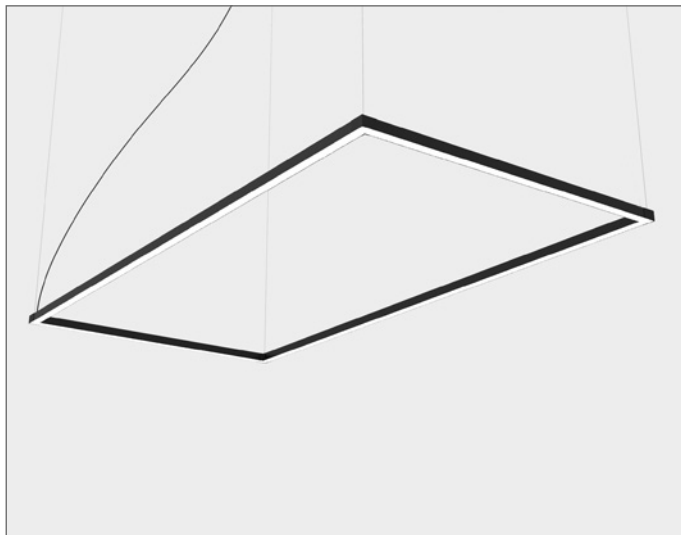


# DAYTONA™ RECTANGULAR 9x17

SUSPENSION - OPAL DIFFUSER

TYPE:

PROJECT NAME:



Lighting modular system with direct light. Aluminum structure in matt white, embossed black or gold finish. Linear profiles with opal polycarbonate, and round structures with opal polycarbonate diffuser. Strip LED on polycarbonate diffuser.

**Power input:** 104W

**Light emission direction:** Direct

**Hanging cables:**

Stainless steel cables standard length 2000 mm (78 3/4),  
Electric cable standard length 2500 mm (100")

**Materials:** Aluminum structure, opal polycarbonate diffuser

**Electrical:** High efficiency electronic power supply, rated  
50,000 hours 120V-277V

**Dimming:** Power supply compatible with 0-10V

**Structure finish:** Matt white, embossed black, gold



**Light source:** LED

3000K: 90CRI  
4000K: 90CRI

**Degree of protection:** IP20

**Source lumens:** 17680 lm

**Delivered lumens:** 10962 lm

**Source efficacy:** 170 lm/W

SPECIFICATION SHEET

**ORDERING INFO**

Model (Order Code)	Structure Finish	LED	Driver Options
<input type="radio"/> L032650341B10100	<input type="radio"/> Matt White <input type="radio"/> Embossed Black <input type="radio"/> Gold	<input type="radio"/> 3000K <input type="radio"/> 4000K	<input type="radio"/> 120V 0-10V Dimming <input type="radio"/> 277V 0-10V Dimming

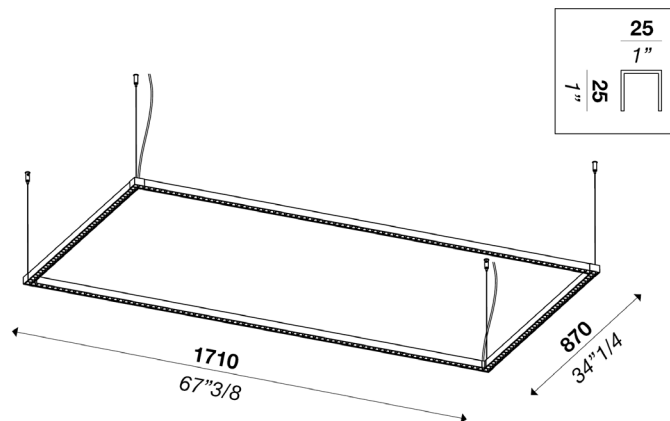
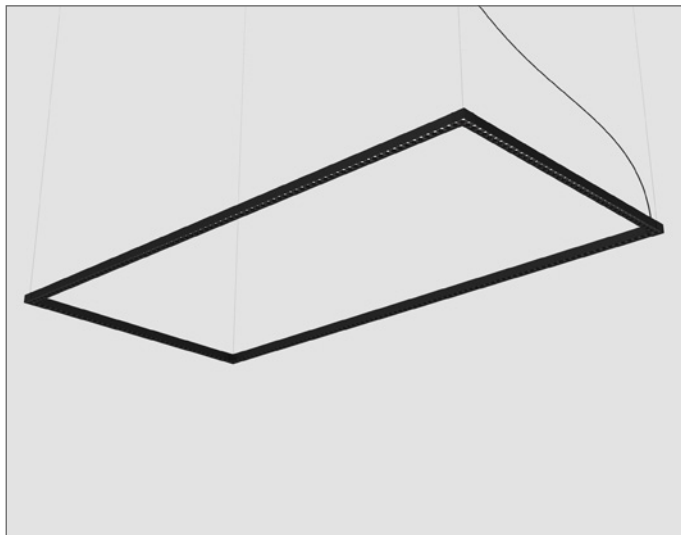


# DAYTONA™ RECTANGULAR 9x17

SUSPENSION - DARKLIGHT DIFFUSER

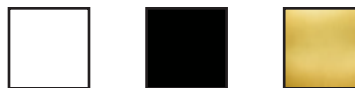
TYPE:

PROJECT NAME:



Lighting modular system with direct light. Aluminum structure in matt white, embossed black or brass finish. Linear profiles with dark light optic diffuser, and round structures with opal polycarbonate diffuser. LED module on dark light optic diffuser.

**Structure finish:** Matt white, embossed black, gold



**Power input:** 135W

**Light source:** LED  
3000K: 90CRI  
4000K: 90CRI

**Light emission direction:** Direct

**Degree of protection:** IP20

**Hanging cables:**

Stainless steel cables standard length 2000 mm (78 3/4),  
Electric cable standard length 2500 mm (100")

**Source lumens:** 19575 lm

**Materials:** Aluminum structure, PMMA dark light diffuser

**Delivered lumens:** 11957 lm

**Electrical:** High efficiency electronic power supply, rated  
50,000 hours 120V-277V

**Source efficacy:** 145 lm/W

**Dimming:** Power supply compatible with 0-10V

SPECIFICATION SHEET

## ORDERING INFO

Model (Order Code)	Structure Finish	LED	Driver Options
<input type="radio"/> L032650341B10140	<input type="radio"/> Matt White <input type="radio"/> Embossed Black <input type="radio"/> Gold	<input type="radio"/> 3000K <input type="radio"/> 4000K	<input type="radio"/> 120V 0-10V Dimming <input type="radio"/> 277V 0-10V Dimming

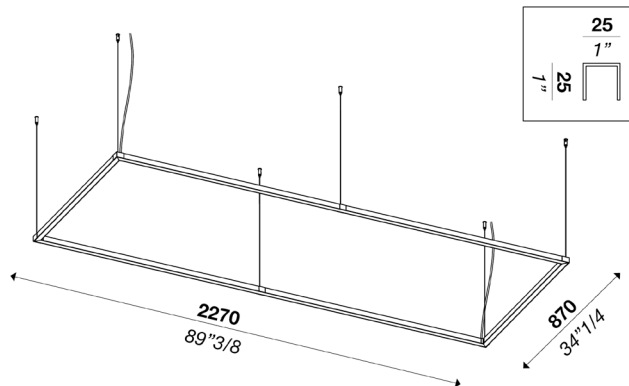
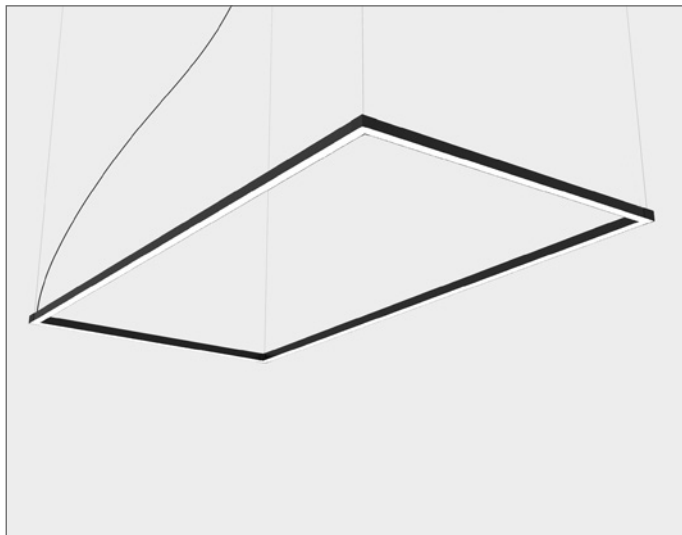


# DAYTONA™ RECTANGULAR 9x23

SUSPENSION - OPAL DIFFUSER

TYPE:

PROJECT NAME:



Lighting modular system with direct light. Aluminum structure in matt white, embossed black or gold finish. Linear profiles with opal polycarbonate, and round structures with opal polycarbonate diffuser. Strip LED on polycarbonate diffuser.

**Power input:** 128W

**Light emission direction:** Direct

**Hanging cables:**

Stainless steel cables standard length 2000 mm (78 3/4),  
Electric cable standard length 2500 mm (100")

**Materials:** Aluminum structure, opal polycarbonate diffuser

**Electrical:** High efficiency electronic power supply, rated  
50,000 hours 120V-277V

**Dimming:** Power supply compatible with 0-10V

**Structure finish:** Matt white, embossed black, gold



**Light source:** LED

3000K: 90CRI

4000K: 90CRI

**Degree of protection:** IP20

**Source lumens:** 21760 lm

**Delivered lumens:** 13280 lm

**Source efficacy:** 170 lm/W

SPECIFICATION SHEET

## ORDERING INFO

Model (Order Code)	Structure Finish	LED	Driver Options
<input type="radio"/> L032650342B10100	<input type="radio"/> Matt White <input type="radio"/> Embossed Black <input type="radio"/> Gold	<input type="radio"/> 3000K <input type="radio"/> 4000K	<input type="radio"/> 120V 0-10V Dimming <input type="radio"/> 277V 0-10V Dimming

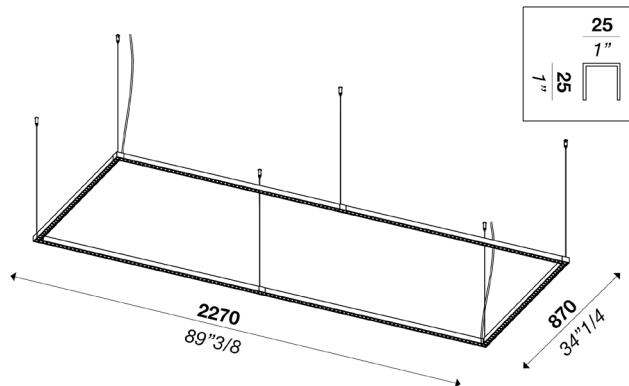
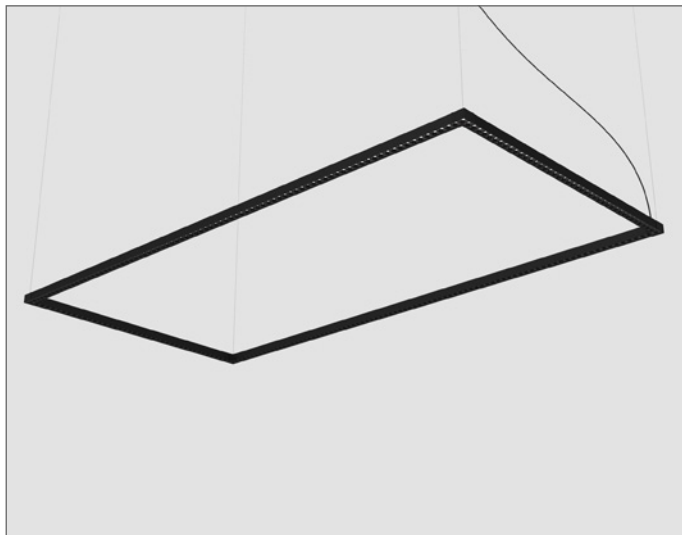


# DAYTONA™ RECTANGULAR 9x23

SUSPENSION - DARKLIGHT DIFFUSER

TYPE:

PROJECT NAME:



Lighting modular system with direct light. Aluminum structure in matt white, embossed black or brass finish. Linear profiles with dark light optic diffuser, and round structures with opal polycarbonate diffuser. LED module on dark light optic diffuser.

**Power input:** 165W

**Light emission direction:** Direct

**Hanging cables:**

Stainless steel cables standard length 2000 mm (78 3/4),  
Electric cable standard length 2500 mm (100")

**Materials:** Aluminum structure, PMMA dark light diffuser

**Electrical:** High efficiency electronic power supply, rated  
50,000 hours 120V-277V

**Dimming:** Power supply compatible with 0-10V

**Structure finish:** Matt white, embossed black, gold



**Light source:** LED

3000K: 90CRI

4000K: 90CRI

**Degree of protection:** IP20

**Source lumens:** 23925 lm

**Delivered lumens:** 14474 lm

**Source efficacy:** 145 lm/W

SPECIFICATION SHEET

## ORDERING INFO

Model (Order Code)	Structure Finish	LED	Driver Options
<input type="radio"/> L032650342B10140	<input type="radio"/> Matt White <input type="radio"/> Embossed Black <input type="radio"/> Gold	<input type="radio"/> 3000K <input type="radio"/> 4000K	<input type="radio"/> 120V 0-10V Dimming <input type="radio"/> 277V 0-10V Dimming



**Luminart®**

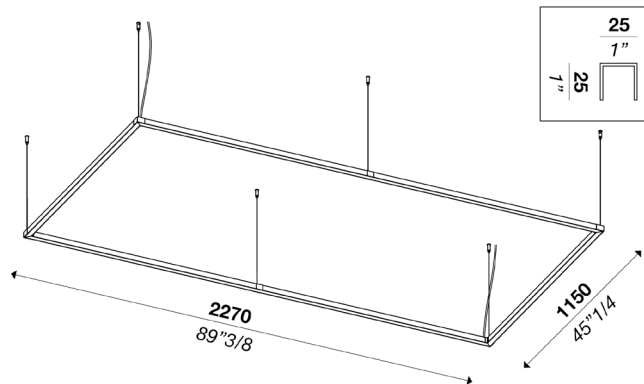
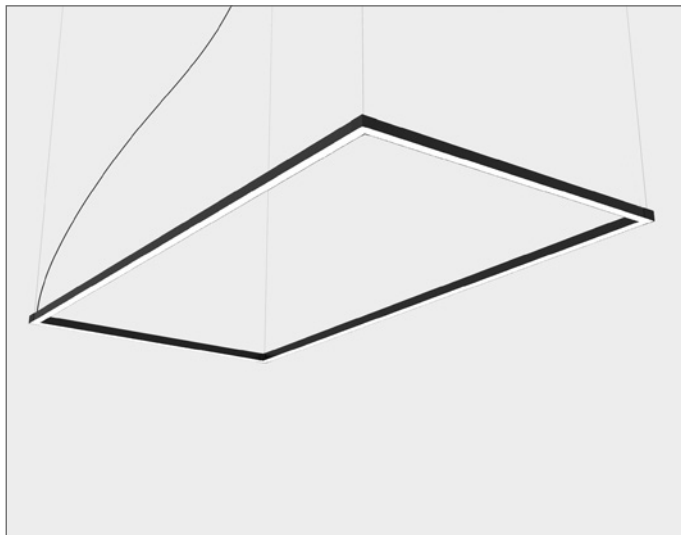
WWW.LUMINARTLIGHTING.COM

# DAYTONA™ RECTANGULAR 12x23

SUSPENSION - OPAL DIFFUSER

TYPE:

PROJECT NAME:



Lighting modular system with direct light. Aluminum structure in matt white, embossed black or gold finish. Linear profiles with opal polycarbonate, and round structures with opal polycarbonate diffuser. Strip LED on polycarbonate diffuser.

**Power input:** 140W

**Light emission direction:** Direct

**Hanging cables:**

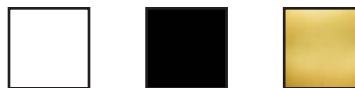
Stainless steel cables standard length 2000 mm (78 3/4),  
Electric cable standard length 2500 mm (100")

**Materials:** Aluminum structure, opal polycarbonate diffuser

**Electrical:** High efficiency electronic power supply, rated  
50,000 hours 120V-277V

**Dimming:** Power supply compatible with 0-10V

**Structure finish:** Matt white, embossed black, gold



**Light source:** LED

3000K: 90CRI

4000K: 90CRI

**Degree of protection:** IP20

**Source lumens:** 23800 lm

**Delivered lumens:** 14440 lm

**Source efficacy:** 170 lm/W

SPECIFICATION SHEET

## ORDERING INFO

Model (Order Code)	Structure Finish	LED	Driver Options
<input type="radio"/> L032650343B10100	<input type="radio"/> Matt White <input type="radio"/> Embossed Black <input type="radio"/> Gold	<input type="radio"/> 3000K <input type="radio"/> 4000K	<input type="radio"/> 120V 0-10V Dimming <input type="radio"/> 277V 0-10V Dimming



**Luminart®**

WWW.LUMINARTLIGHTING.COM

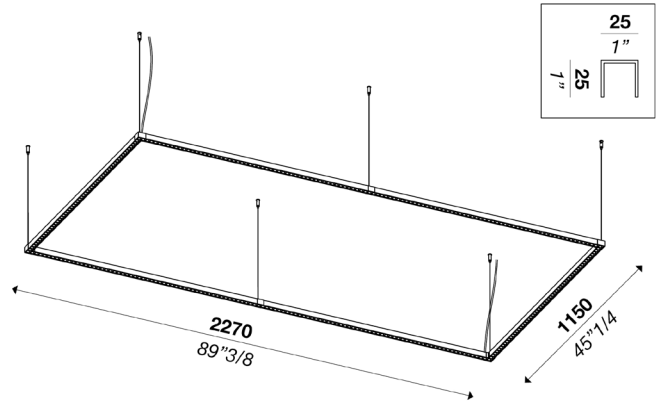
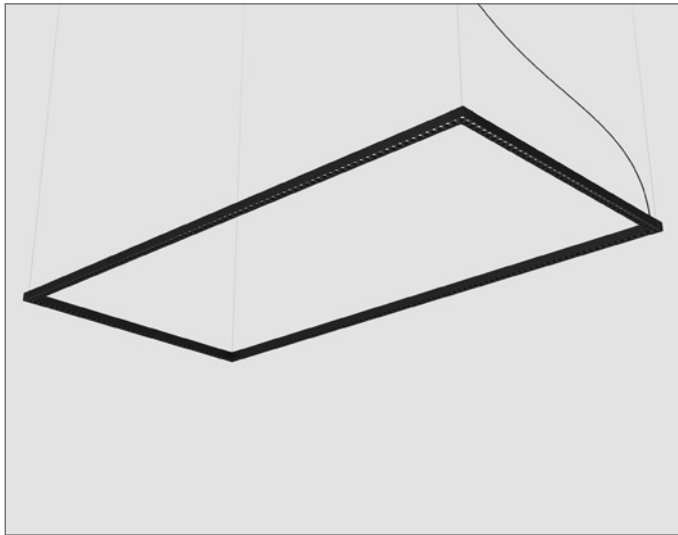


# DAYTONA™ RECTANGULAR 12x23

SUSPENSION - DARKLIGHT DIFFUSER

TYPE:

PROJECT NAME:



Lighting modular system with direct light. Aluminum structure in matt white, embossed black or brass finish. Linear profiles with dark light optic diffuser, and round structures with opal polycarbonate diffuser. LED module on dark light optic diffuser.

**Structure finish:** Matt white, embossed black, gold



**Power input:** 180W

**Light source:** LED  
3000K: 90CRI  
4000K: 90CRI

**Light emission direction:** Direct

**Degree of protection:** IP20

**Hanging cables:**

Stainless steel cables standard length 2000 mm (78 3/4),  
Electric cable standard length 2500 mm (100")

**Source lumens:** 26100 lm

**Materials:** Aluminum structure, PMMA dark light diffuser

**Delivered lumens:** 15822 lm

**Electrical:** High efficiency electronic power supply, rated  
50,000 hours 120V-277V

**Source efficacy:** 145 lm/W

**Dimming:** Power supply compatible with 0-10V

SPECIFICATION SHEET

## ORDERING INFO

Model (Order Code)	Structure Finish	LED	Driver Options
<input type="radio"/> L032650343B10140	<input type="radio"/> Matt White <input type="radio"/> Embossed Black <input type="radio"/> Gold	<input type="radio"/> 3000K <input type="radio"/> 4000K	<input type="radio"/> 120V 0-10V Dimming <input type="radio"/> 277V 0-10V Dimming

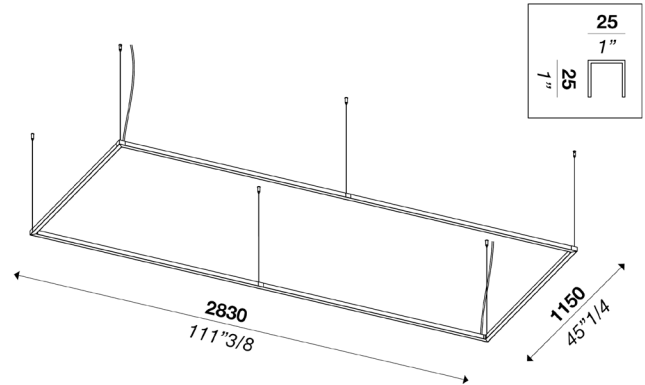
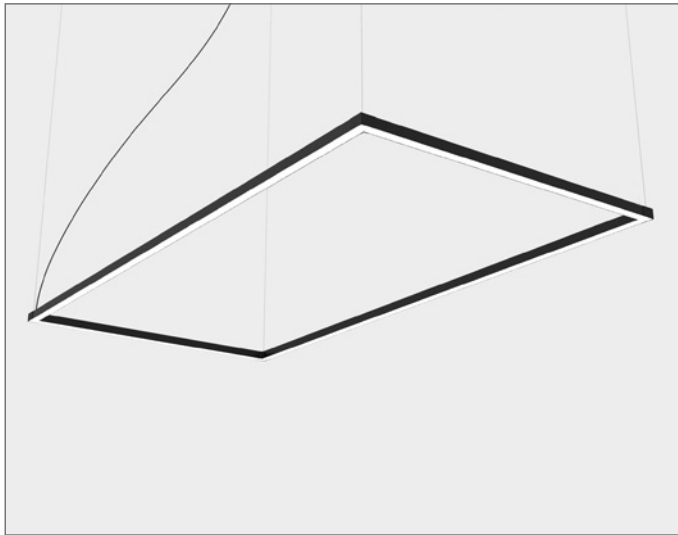


# DAYTONA™ RECTANGULAR 12x28

SUSPENSION - OPAL DIFFUSER

TYPE:

PROJECT NAME:



Lighting modular system with direct light. Aluminum structure in matt white, embossed black or gold finish. Linear profiles with opal polycarbonate, and round structures with opal polycarbonate diffuser. Strip LED on polycarbonate diffuser.

**Power input:** 160W

**Light emission direction:** Direct

**Hanging cables:**  
Stainless steel cables standard length 2000 mm (78 3/4),  
Electric cable standard length 2500 mm (100")

**Materials:** Aluminum structure, opal polycarbonate diffuser

**Electrical:** High efficiency electronic power supply, rated 50,000 hours 120V-277V

**Dimming:** Power supply compatible with 0-10V

**Structure finish:** Matt white, embossed black, gold



**Light source:** LED  
3000K: 90CRI  
4000K: 90CRI

**Degree of protection:** IP20

**Source lumens:** 27200 lm

**Delivered lumens:** 16864 lm

**Source efficacy:** 170 lm/W

SPECIFICATION SHEET

## ORDERING INFO

Model (Order Code)	Structure Finish	LED	Driver Options
<input type="radio"/> L032650344B10100	<input type="radio"/> Matt White <input type="radio"/> Embossed Black <input type="radio"/> Gold	<input type="radio"/> 3000K <input type="radio"/> 4000K	<input type="radio"/> 120V 0-10V Dimming <input type="radio"/> 277V 0-10V Dimming



**Luminart®**

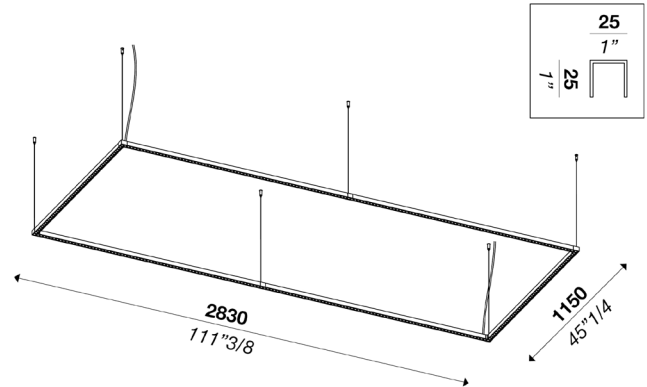
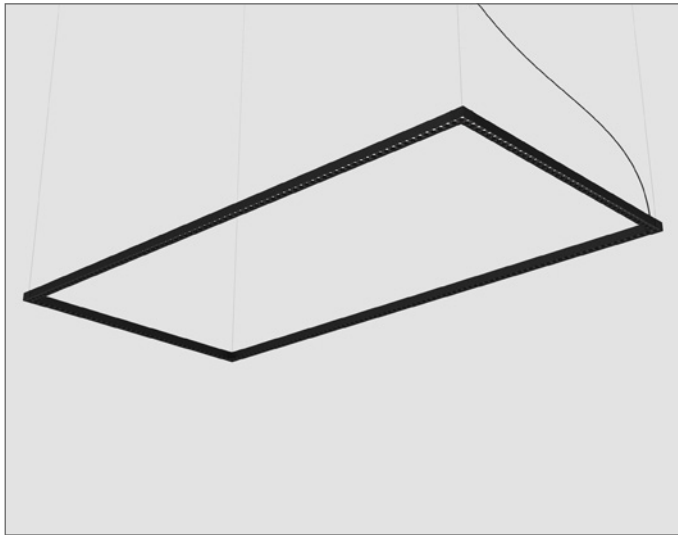
WWW.LUMINARTLIGHTING.COM

# DAYTONA™ RECTANGULAR 12x28

SUSPENSION - DARKLIGHT DIFFUSER

TYPE:

PROJECT NAME:



Lighting modular system with direct light. Aluminum structure in matt white, embossed black or brass finish. Linear profiles with dark light optic diffuser, and round structures with opal polycarbonate diffuser. LED module on dark light optic diffuser.

**Structure finish:** Matt white, embossed black, gold



**Power input:** 210W

**Light source:** LED  
3000K: 90CRI  
4000K: 90CRI

**Light emission direction:** Direct

**Degree of protection:** IP20

**Hanging cables:**  
Stainless steel cables standard length 2000 mm (78 3/4),  
Electric cable standard length 2500 mm (100")

**Source lumens:** 30450 lm

**Materials:** Aluminum structure, PMMA dark light diffuser

**Delivered lumens:** 18430 lm

**Electrical:** High efficiency electronic power supply, rated 50,000 hours 120V-277V

**Source efficacy:** 145 lm/W

**Dimming:** Power supply compatible with 0-10V

SPECIFICATION SHEET

## ORDERING INFO

Model (Order Code)	Structure Finish	LED	Driver Options
<input type="radio"/> L032650344B10140	<input type="radio"/> Matt White <input type="radio"/> Embossed Black <input type="radio"/> Gold	<input type="radio"/> 3000K <input type="radio"/> 4000K	<input type="radio"/> 120V 0-10V Dimming <input type="radio"/> 277V 0-10V Dimming

