

DELIA™ 400

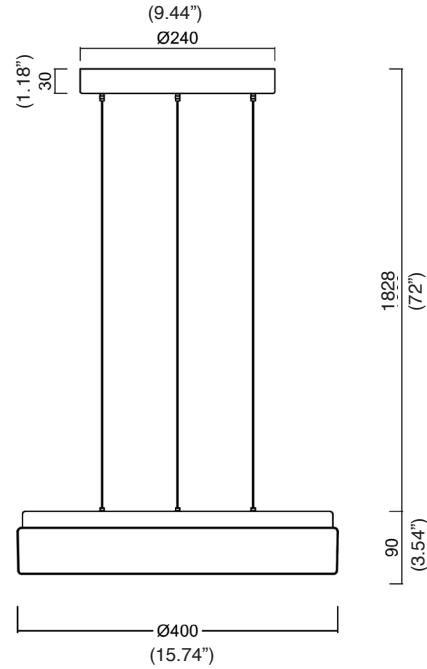
SUSPENSION

TYPE:

PROJECT NAME:



Cylindrical pendant light with shade diameter Ø400mm (15.74"). Product consists of cableless pendant and PMMA shade. Shade is fixed by two-step clamp holders. Suitable for indoor use.



Come with 72" air craft suspension cable, longer cable on request.

Power input: 27W

Mounting: 72" adjustable air craft cable and one canopy. Installs on a standard 4" junction box.

Shade: Matt opal polymethyl methacrylate - PMMA

Electrical: High efficiency electronic power supply, rated 50,000 hours 120V-277V

Dimming: Power supply compatible with 0-10V (D10) or LTE phase dimming (TRIAC).

Finish: White

Base material: Steel

Source: LED module

3000K: 80CRI

4000K: 80CRI

Lumen maintenance: >80% of initial lumens at 50,000h

Input [W]	Lum. flux of light source [lm]		Lum. flux of luminaire [lm]	
	3000K	4000K	3000K	4000K
27	3690	3890	2580	2720

SPECIFICATION SHEET

ORDERING INFO

Model (Order Code)	Structure Finish	LED	Driver Options
<input type="radio"/> L74DELIALE2 27W	<input type="radio"/> White Ral 9003	<input type="radio"/> 3000K <input type="radio"/> 4000K	<input type="radio"/> 120V LTE <input type="radio"/> 120-277V 0-10V



Luminart®

WWW.LUMINARTLIGHTING.COM
Last updated: 09/05/24

DELIA™ 500

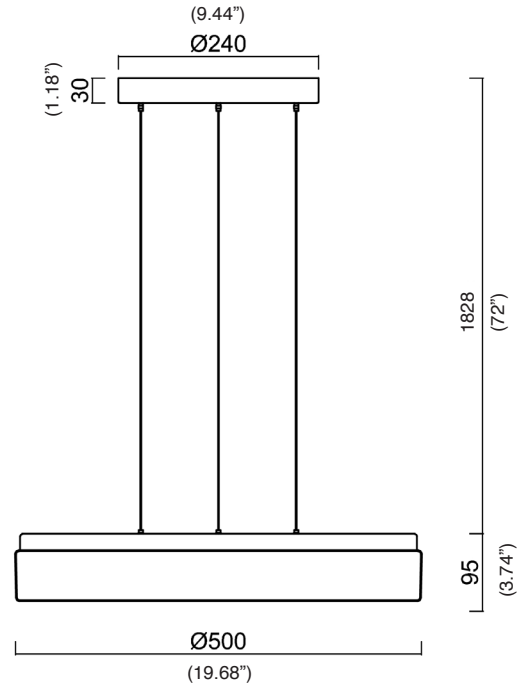
SUSPENSION

TYPE:

PROJECT NAME:



Cylindrical pendant light with shade diameter Ø500mm (19.68"). Product consists of cableless pendant and PMMA shade. Shade is fixed by two-step clamp holders. Suitable for indoor use.



Come with 72" air craft suspension cable, longer cable on request.

Power input: 33W

Mounting: 72" adjustable air craft cable and one canopy. Installs on a standard 4" junction box.

Shade: Matt opal polymethyl methacrylate - PMMA

Electrical: High efficiency electronic power supply, rated 50,000 hours 120V-277V

Dimming: Power supply compatible with 0-10V (D10) or LTE phase dimming (TRIAC).

Finish: White

Base material: Steel

Source: LED module

3000K: 80CRI

4000K: 80CRI

Lumen maintenance: >80% of initial lumens at 50,000h

Input [W]	Lum. flux of light source [lm]		Lum. flux of luminaire [lm]	
	3000K	4000K	3000K	4000K
33	4750	5010	3140	3310

SPECIFICATION SHEET

ORDERING INFO

Model (Order Code)	Structure Finish	LED	Driver Options
<input type="radio"/> L74DELIALE3 33W	<input type="radio"/> White Ral 9003	<input type="radio"/> 3000K <input type="radio"/> 4000K	<input type="radio"/> 120V LTE <input type="radio"/> 120-277V 0-10V



Luminart®

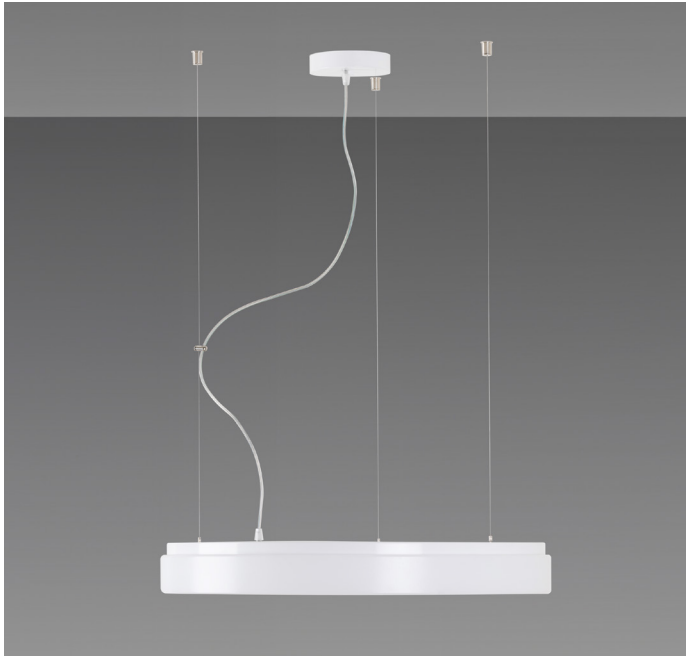
WWW.LUMINARTLIGHTING.COM
Last updated: 09/05/24

DELIA™ 700

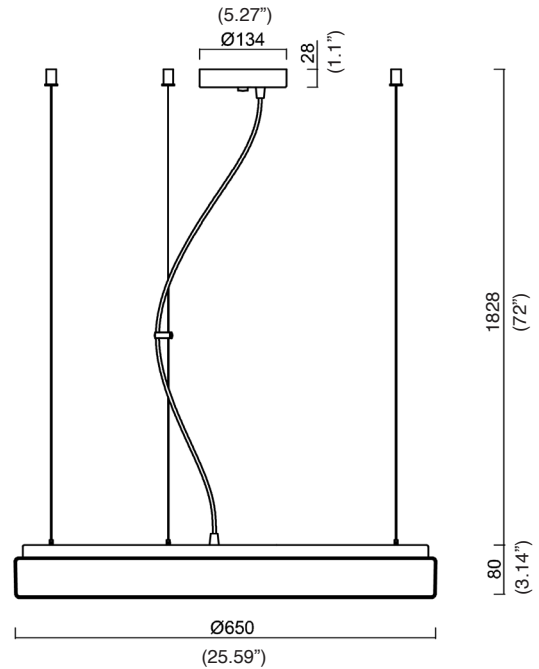
SUSPENSION

TYPE:

PROJECT NAME:



Cylindrical pendant light with shade diameter Ø650mm (25.59"). Product consists of powder-coated metal base and PMMA shade. Shade is fixed by two-step clamp holders. Suitable for indoor use.



Come with 72" air craft suspension cable, longer cable on request.

Power input: 64W

Mounting: 72" adjustable air craft cable, clear power cord (white or black on request), and one canopy. Installs on a standard 4" junction box.

Shade: Matt opal polymethyl methacrylate - PMMA

Electrical: High efficiency electronic power supply, rated 50,000 hours 120V-277V

Dimming: Power supply compatible with 0-10V (D10) or LTE phase dimming (TRIAC).

Finish: White

Shade attachment: with folding holders

Source: LED module

3000K: 80CRI

4000K: 80CRI

Lumen maintenance: >80% of initial lumens at 50,000h

Input [W]	Lum. flux of light source [lm]		Lum. flux of luminaire [lm]	
	3000K	4000K	3000K	4000K
64	10210	10670	6940	7260

SPECIFICATION SHEET

ORDERING INFO

Model (Order Code)	Structure Finish	LED	Driver Options
<input type="radio"/> L74DELIAL4 64W	<input type="radio"/> White Ral 9003	<input type="radio"/> 3000K <input type="radio"/> 4000K	<input type="radio"/> 120V LTE <input type="radio"/> 120-277V 0-10V



Luminart®

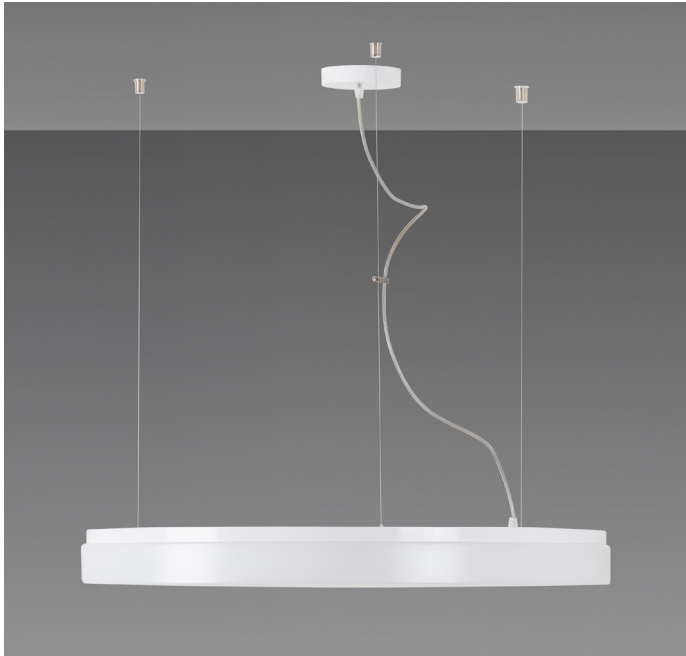
WWW.LUMINARTLIGHTING.COM
Last updated: 09/05/24

DELIA™ 900

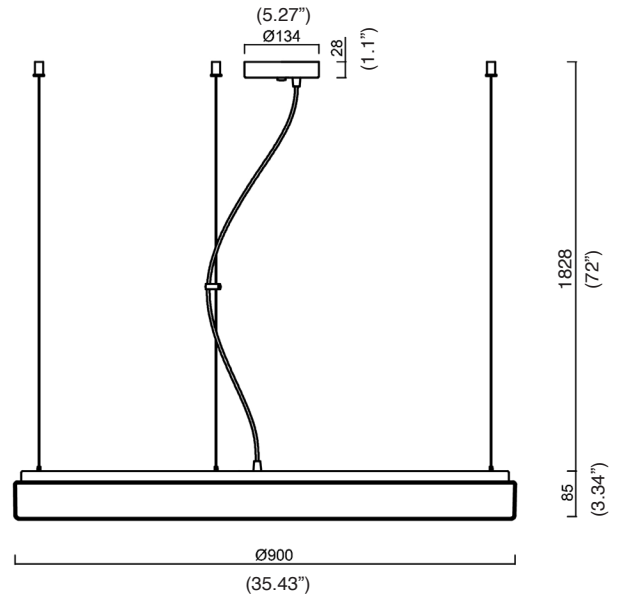
SUSPENSION

TYPE:

PROJECT NAME:



Cylindrical pendant light with shade diameter Ø900mm (35.43"). Product consists of powder-coated metal base and PMMA shade. Shade is fixed by two-step clamp holders. Suitable for indoor use.



Come with 72" air craft suspension cable, longer cable on request.

Power input: 98W

Mounting: 72" adjustable air craft cable, clear power cord (white or black on request), and one canopy. Installs on a standard 4" junction box.

Shade: Matt opal polymethyl methacrylate - PMMA

Electrical: High efficiency electronic power supply, rated 50,000 hours 120V-277V

Dimming: Power supply compatible with 0-10V (D10) or LTE phase dimming (TRIAC).

Finish: White

Shade attachment: with folding holders

Source: LED module

3000K: 80CRI

4000K: 80CRI

Lumen maintenance: >80% of initial lumens at 50,000h

Input [W]	Lum. flux of light source [lm]		Lum. flux of luminaire [lm]	
	3000K	4000K	3000K	4000K
98	15310	16000	10720	11200

SPECIFICATION SHEET

ORDERING INFO

Model (Order Code)	Structure Finish	LED	Driver Options
<input type="radio"/> L74DELIAL5 98W	<input type="radio"/> White Ral 9003	<input type="radio"/> 3000K <input type="radio"/> 4000K	<input type="radio"/> 120V LTE <input type="radio"/> 120-277V 0-10V



Luminart®

WWW.LUMINARTLIGHTING.COM
Last updated: 09/05/24