

# DELIA™ 400

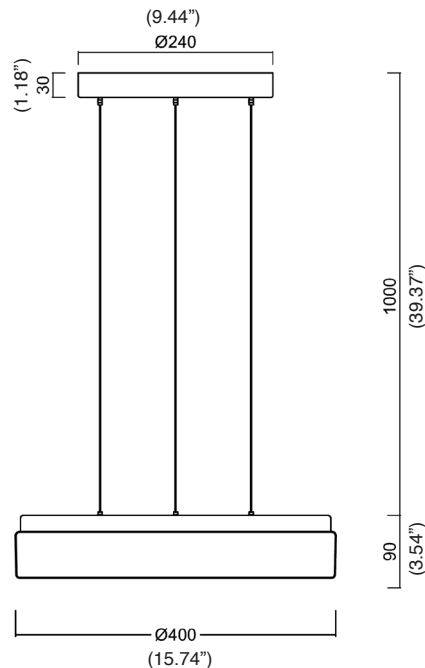
SUSPENSION

TYPE:

PROJECT NAME:



Cylindrical pendant light with shade diameter Ø400mm (15.74"). Product consists of cableless pendant and PMMA shade. Shade is fixed by two-step clamp holders. Suitable for indoor use.



**Power input:** 27W

**Hanger:** 3 wire with length 1000mm (39.37")

**Mounting:** Pendant

**Shade:** Matt opal polymethyl methacrylate - PMMA

**Electrical:** High efficiency electronic power supply, rated 50,000 hours 120V-277V

**Dimming:** Power supply compatible with 0-10V (UNV) or leading (TRIAC) and trailing edge (ELV) (120V only).

**Finish:** White

**Base material:** Steel

**Source:** LED module

3000K: 80CRI

4000K: 80CRI

**Lumen maintenance:** >80% of initial lumens at 50,000h

Input [W]	Lum. flux of light source [lm]		Lum. flux of luminaire [lm]	
	3000K	4000K	3000K	4000K
27	3690	3890	2580	2720

SPECIFICATION SHEET

## ORDERING INFO

Model (Order Code)	Structure Finish	LED	Driver Options
<input type="radio"/> L74DELIALE2 27W	<input type="radio"/> White Ral 9003	<input type="radio"/> 3000K <input type="radio"/> 4000K	<input type="radio"/> 120V Phase Dimming <input type="radio"/> 120V 0-10V Dimming <input type="radio"/> 277V 0-10V Dimming



# Luminart®

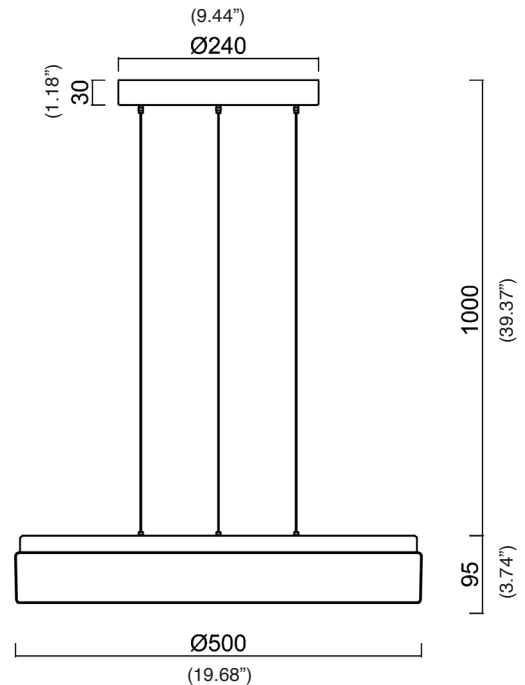
WWW.LUMINARTLIGHTING.COM

# DELIA™ 500

SUSPENSION

TYPE:

PROJECT NAME:



Cylindrical pendant light with shade diameter Ø500mm (19.68"). Product consists of cableless pendant and PMMA shade. Shade is fixed by two-step clamp holders. Suitable for indoor use.

**Power input:** 33W

**Hanger:** 3 wire with length 1000mm (39.37")

**Mounting:** Pendant

**Shade:** Matt opal polymethyl methacrylate - PMMA

**Electrical:** High efficiency electronic power supply, rated 50,000 hours 120V-277V

**Dimming:** Power supply compatible with 0-10V (UNV) or leading (TRIAC) and trailing edge (ELV) (120V only).

**Finish:** White

**Base material:** Steel

**Source:** LED module

3000K: 80CRI

4000K: 80CRI

**Lumen maintenance:** >80% of initial lumens at 50,000h

Input [W]	Lum. flux of light source [lm]		Lum. flux of luminaire [lm]	
	3000K	4000K	3000K	4000K
33	4750	5010	3140	3310

SPECIFICATION SHEET

## ORDERING INFO

Model (Order Code)	Structure Finish	LED	Driver Options
<input type="radio"/> L74DELIALAE3 33W	<input type="radio"/> White Ral 9003	<input type="radio"/> 3000K <input type="radio"/> 4000K	<input type="radio"/> 120V Phase Dimming <input type="radio"/> 120V 0-10V Dimming <input type="radio"/> 277V 0-10V Dimming



**Luminart®**

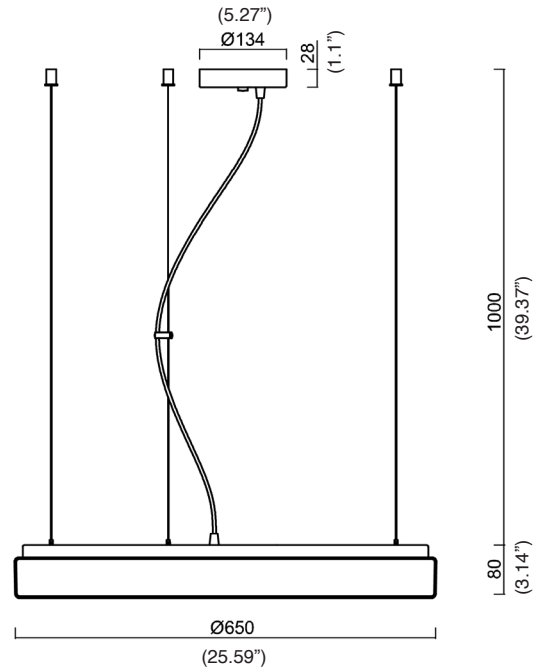
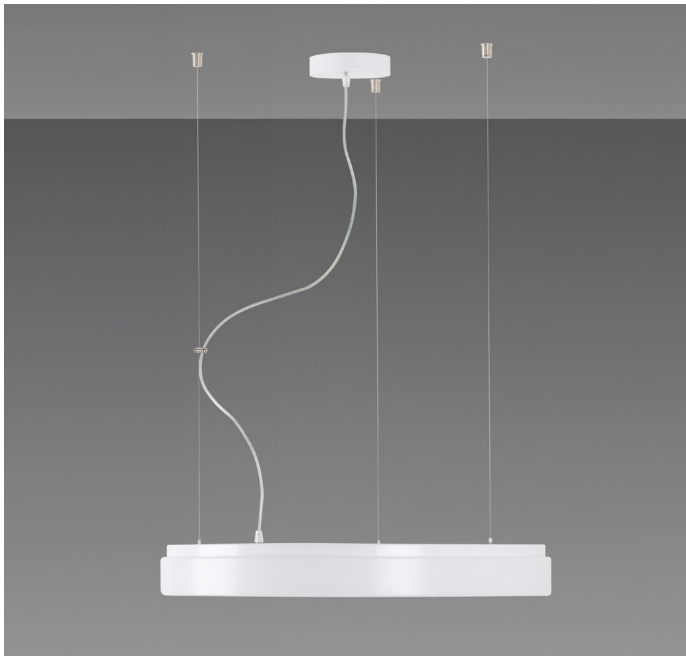
WWW.LUMINARTLIGHTING.COM

# DELIA™ 700

SUSPENSION

TYPE:

PROJECT NAME:



Cylindrical pendant light with shade diameter Ø650mm (25.59"). Product consists of powder-coated metal base and PMMA shade. Shade is fixed by two-step clamp holders. Suitable for indoor use.

**Power input:** 64W

**Hanger:** 3 wire with length 1000mm (39.37")

**Mounting:** Pendant

**Shade:** Matt opal polymethyl methacrylate - PMMA

**Electrical:** High efficiency electronic power supply, rated 50,000 hours 120V-277V

**Dimming:** Power supply compatible with 0-10V (UNV) or leading (TRIAC) and trailing edge (ELV) (120V only).

**Finish:** White

**Shade attachment:** with folding holders

**Source:** LED module

3000K: 80CRI

4000K: 80CRI

**Lumen maintenance:** >80% of initial lumens at 50,000h

Input [W]	Lum. flux of light source [lm]		Lum. flux of luminaire [lm]	
	3000K	4000K	3000K	4000K
64	10210	10670	6940	7260

SPECIFICATION SHEET

## ORDERING INFO

Model (Order Code)	Structure Finish	LED	Driver Options
<input type="radio"/> L74DELIAL4 64W	<input type="radio"/> White Ral 9003	<input type="radio"/> 3000K <input type="radio"/> 4000K	<input type="radio"/> 120V Phase Dimming <input type="radio"/> 120V 0-10V Dimming <input type="radio"/> 277V 0-10V Dimming



**Luminart®**

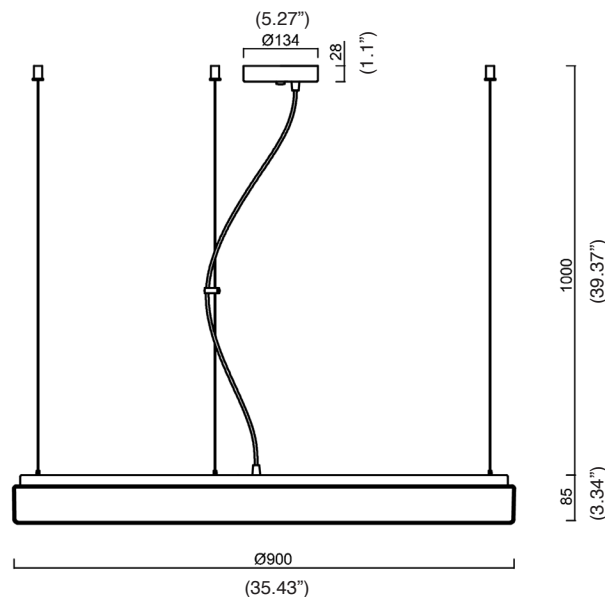
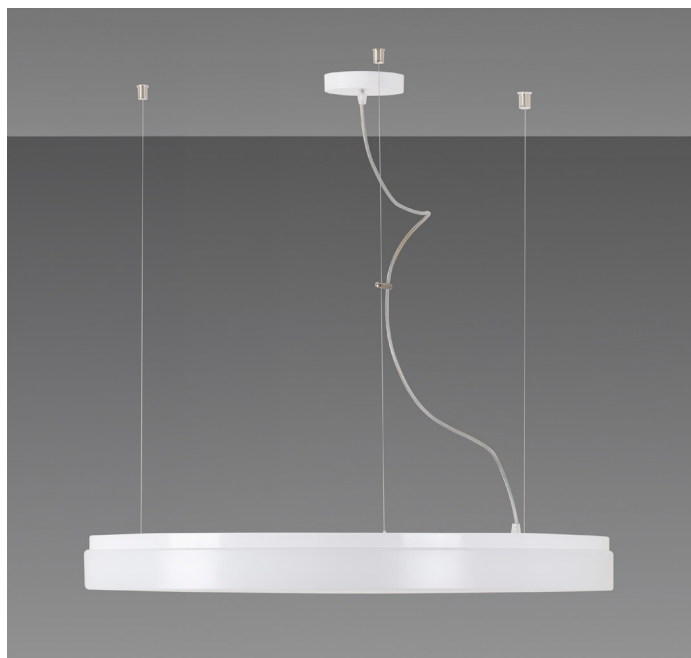
WWW.LUMINARTLIGHTING.COM

# DELIA™ 900

SUSPENSION

TYPE:

PROJECT NAME:



Cylindrical pendant light with shade diameter Ø900mm (35.43"). Product consists of powder-coated metal base and PMMA shade. Shade is fixed by two-step clamp holders. Suitable for indoor use.

**Power input:** 98W

**Hanger:** 3 wire with length 1000mm (39.37")

**Mounting:** Pendant

**Shade:** Matt opal polymethyl methacrylate - PMMA

**Electrical:** High efficiency electronic power supply, rated 50,000 hours 120V-277V

**Dimming:** Power supply compatible with 0-10V (UNV) or leading (TRIAC) and trailing edge (ELV) (120V only).

**Finish:** White

**Shade attachment:** with folding holders

**Source:** LED module

3000K: 80CRI

4000K: 80CRI

**Lumen maintenance:** >80% of initial lumens at 50,000h

Input [W]	Lum. flux of light source [lm]		Lum. flux of luminaire [lm]	
	3000K	4000K	3000K	4000K
98	15310	16000	10720	11200

SPECIFICATION SHEET

## ORDERING INFO

Model (Order Code)	Structure Finish	LED	Driver Options
<input type="radio"/> L74DELIAL5 98W	<input type="radio"/> White Ral 9003	<input type="radio"/> 3000K <input type="radio"/> 4000K	<input type="radio"/> 120V Phase Dimming <input type="radio"/> 120V 0-10V Dimming <input type="radio"/> 277V 0-10V Dimming



**Luminart®**

WWW.LUMINARTLIGHTING.COM