

DISCOVOLANTE™

INSTALLATION INSTRUCTIONS

TYPE:

PROJECT NAME:

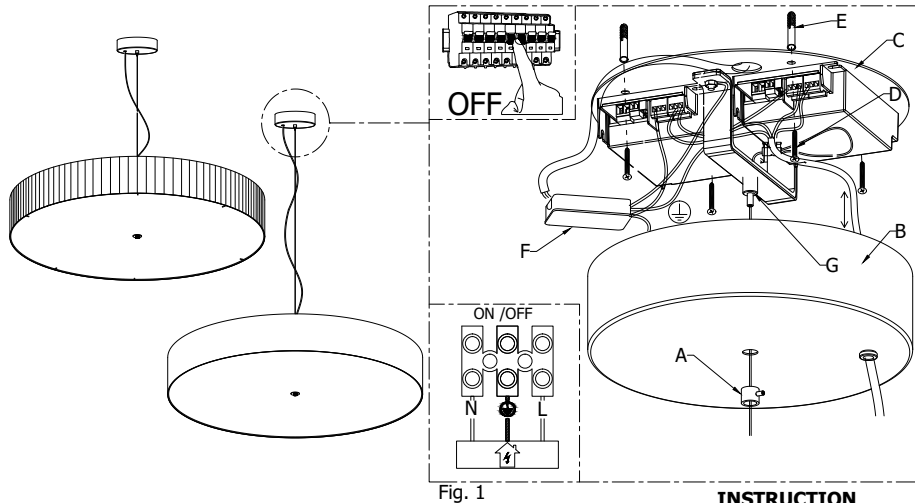


Fig. 1

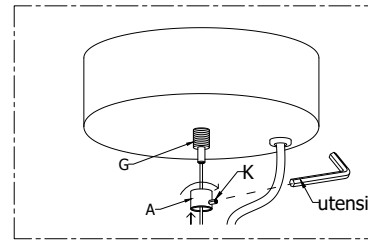


Fig. 2

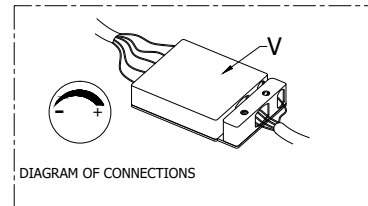


Fig. A

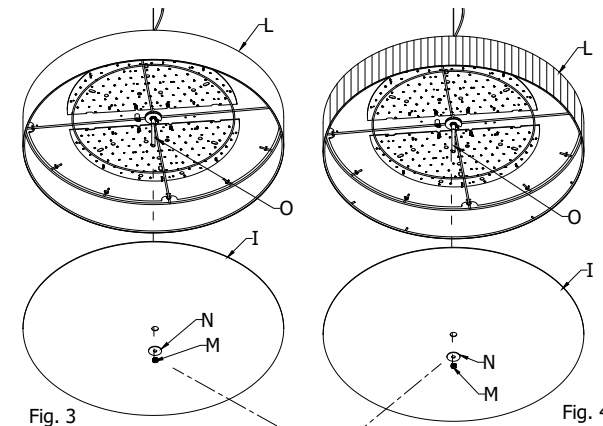
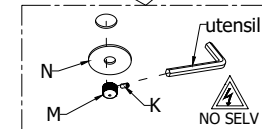


Fig. 3

Fig. 4



INSTRUCTION

- Disconnect the power source.
- Unscrew the handle (A) and lower the canopy (B). (FIG.1)
- Fix the bracket (C) with screw (D) and dowels (E) on the ceiling. (FIG.1)
- Adjust the length of the steel cable acting on regulating terminal security (G), push the part (B) of the gripper so that the steel cable runs. (FIG.1)
- Connect the network cables to terminal (F) according to the polarity, and close the box. (FIG.1)
- Version Dimmable connect the cables inside the box (V) matching the polarity, and close the box (Fig. A).
- DIAGRAM OF CONNECTIONS DIMMABLE see attached sheet
- Tense the power cable paying attention to the regulation , it dosen't have to be too tensed.
- Place the canopy in the ceiling. Screw with care the particular (A), the block cable (G).(FIG.2).
- Screw the safety screw (K)(Fig. 2).
- COTTON VERSION: Insert the plexiglas finishing panel (I) inside the lamp shade (L) and then lean it by fall on the border of the lampshade.
- insert the plex (I) by turning the handle (M) and the washer (N) at the threaded pipe (O) (Fig. 3+Fig. 3a).
- PLEATED FABRIC VERSION : insert the plex (I) by turning the handle (M) and the washer (N) at the threaded pipe (O). the plexiglas doesn't lean on the external border, but it leans on details B.(Fig. 4+Fig. 4a).
- VERSION NO SELV :Screw the safety screw (K).

ATTENTION:

The products of our production are suitable for the using in usual surroundings with standard temperature and humidity levels.
All the operations have to be done by a technician.

CLEANING:

Switch off the power or pull the plug out.

For the periodical cleaning of the lamp use always gloves and a soft cloth (for glossy surfaces) or a feather duster for the lampshade in fabric or pleated fabric. Don't use aggressive solvents or alcohol.

Avoid absolutely to fold parts which are not expected for folding, in this case welded parts are going to be damaged.

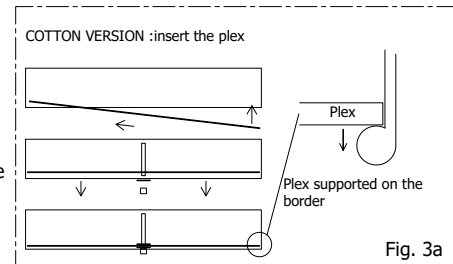


Fig. 3a

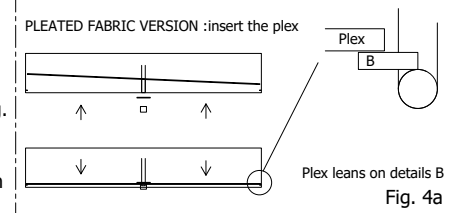


Fig. 4a