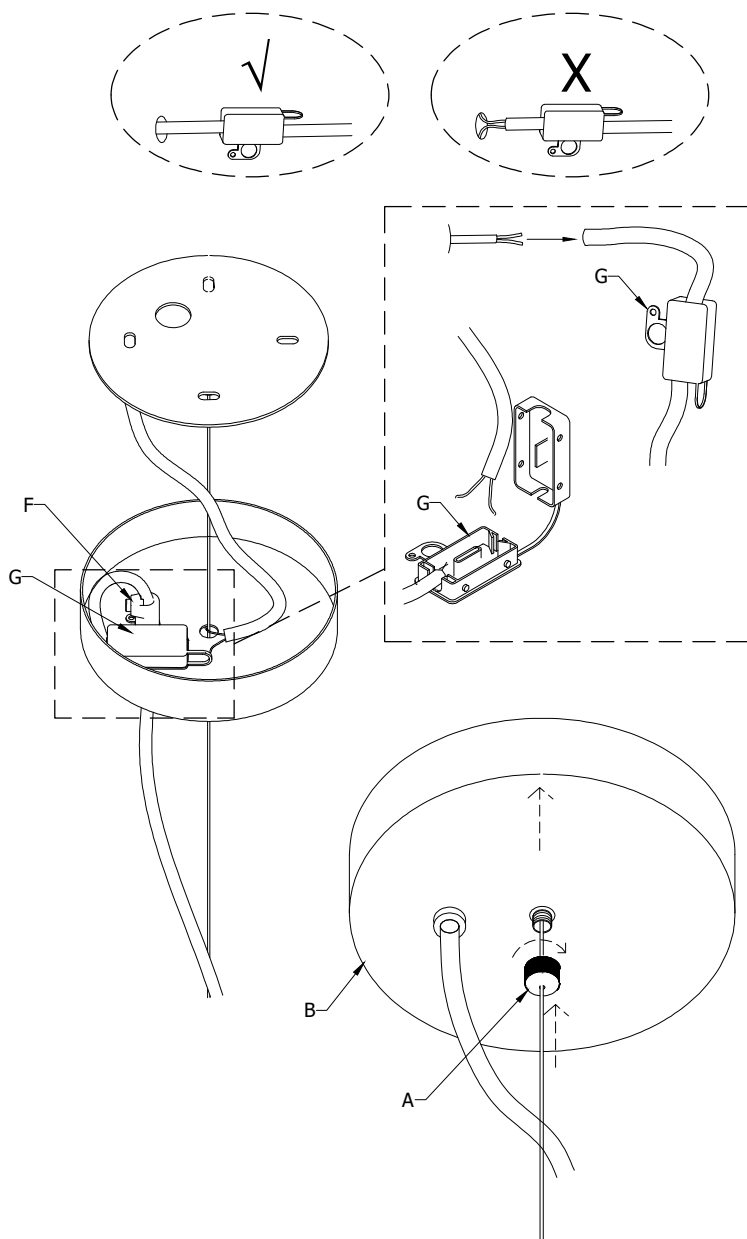
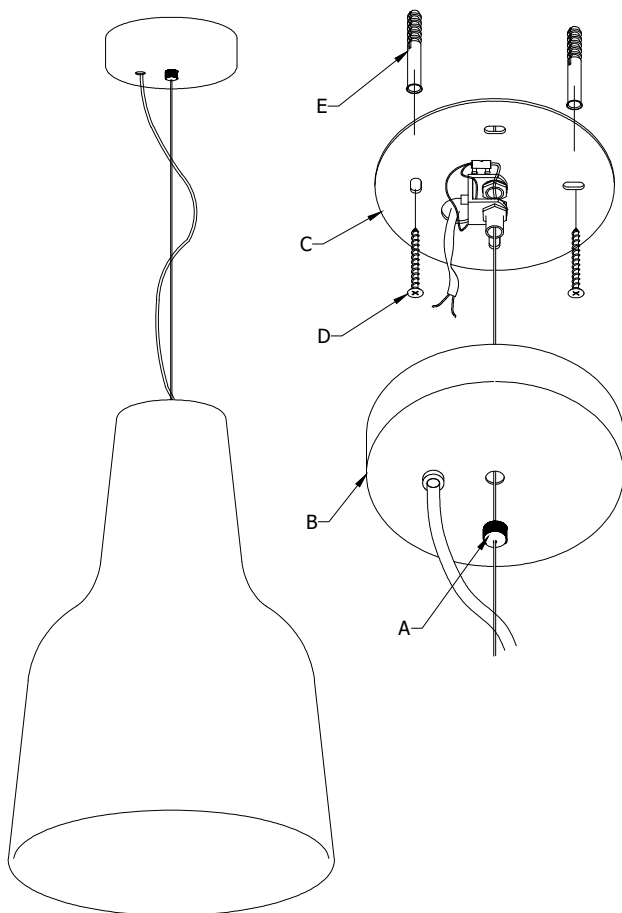


EVA™

INSTALLATION INSTRUCTIONS

TYPE:

PROJECT NAME:



INSTRUCTION

- Disconnect the power source.
- Unscrew the handle (A) and lower the canopy (B).
- Fix the plate (C) with screw (D) and dowels (E) on the ceiling.
- Adjust the length of the cable securing the clamp (F).
- Connect the network cable into the terminal (G) according to the polarity.
- Place the canopy in the ceiling. Screw with care the particular (A).
- Screw the bulb into the socket.

ATTENTION

The products of our production are suitable for the using in usual surroundings with standard temperature and humidity levels.
All the operations have to be done by a technician.

CLEANING:

Switch off the power or pull the plug out.

For the periodical cleaning of the lamp use always gloves and a soft cloth (for glossy surfaces) or a feather duster for the lampshade in fabric or pleated fabric. Don't use aggressive solvents or alcohol.
Avoid absolutely to fold parts which are not expected for folding, in this case welded parts are going to be damaged.