

EXPO™

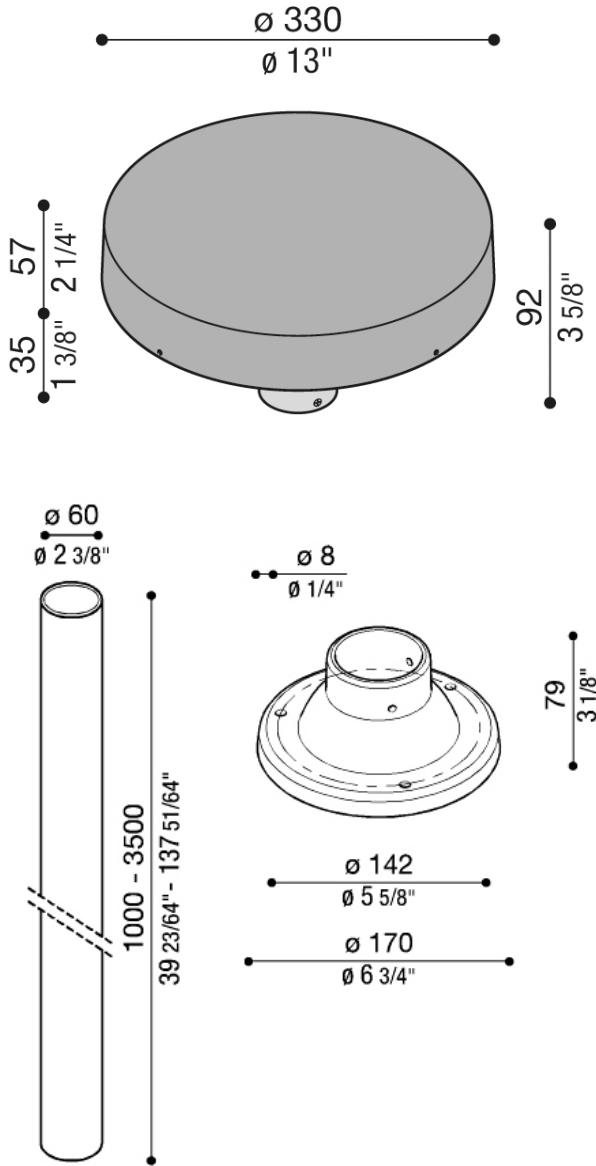
POLE

TYPE:

PROJECT NAME:



SPECIFICATION SHEET



Technical information:

Installation:	Post Ø60 (2.36")
Material:	Polycarbonate
Treatment:	Sea Treatment
Diffuser type:	Polycarbonate
CRI:	>80
LB Factor:	L80B20 - 50.000h
Power consumption [Watt]	25
Source Lumen:	3000 lm
Delivered Lumen:	2144 lm
Type of protection:	IP66

ORDERING INFO

Model (Order Code)	Structure Finish	Pole Mounting Options	LED	Dimming Options
<input type="radio"/> L53 EXPO POLE	<input type="radio"/> BL: Black RAL9005 <input type="radio"/> CO: Corten <input type="radio"/> AN: Anthracite RAL7021 <input type="radio"/> GR: Grey RAL9006	<input type="radio"/> 10: 1000mm (39.37") + Ø170mm (6.69") Base <input type="radio"/> 15: 1500mm (59.05") + Ø170mm (6.69") Base <input type="radio"/> 20: 2000mm (78.74") + Ø170mm (6.69") Base <input type="radio"/> 25: 2500mm (98.42") + Ø170mm (6.69") Base <input type="radio"/> 30: 3000mm (118.11") + Ø170mm (6.69") Base <input type="radio"/> 35: 3500mm (137.79") + Ø170mm (6.69") Base	<input type="radio"/> 2700K <input type="radio"/> 3000K <input type="radio"/> 4000K	<input type="radio"/> 120V LTE <input type="radio"/> 120V 0-10V <input type="radio"/> 277V 0-10V



