

EXTRA™

INSTALLATION INSTRUCTIONS

TYPE:

PROJECT NAME:

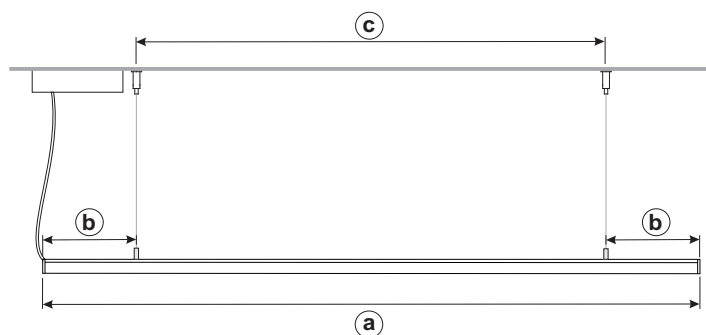
EXTRA

Art. 1560

103 cm

~ 50/60 Hz 120V

Led 15W 1900lm 3000K



Article code:		a	b	c
1560.01	/W - /WW - /XW	103 cm	20 cm	63 cm
A1560.01/120	/W - /WW - /XW	123 cm	20 cm	83 cm
A1560.01/140	/W - /WW - /XW	143 cm	20 cm	103 cm
A1560.01/160	/W - /WW - /XW	163 cm	30 cm	103 cm
A1560.01/180	/W - /WW - /XW	183 cm	30 cm	123 cm
A1560.01/200	/W - /WW - /XW	203 cm	40 cm	123 cm
A1560.01/220	/W - /WW - /XW	223 cm	40 cm	143 cm
A1560.01/240	/W - /WW - /XW	243 cm	50 cm	143 cm
A1560.01/260	/W - /WW - /XW	263 cm	60 cm	143 cm
A1560.01/280	/W - /WW - /XW	283 cm	60 cm	163 cm
A1560.01/300	/W - /WW - /XW	303 cm	60 cm	183 cm

INSTALLATION SHEET

Luminart®

WWW.LUMINARTLIGHTING.COM

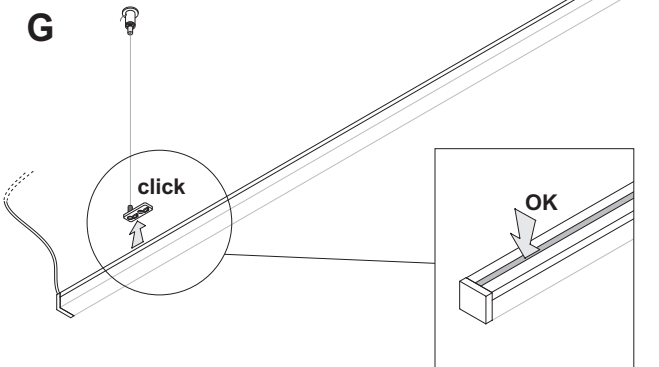
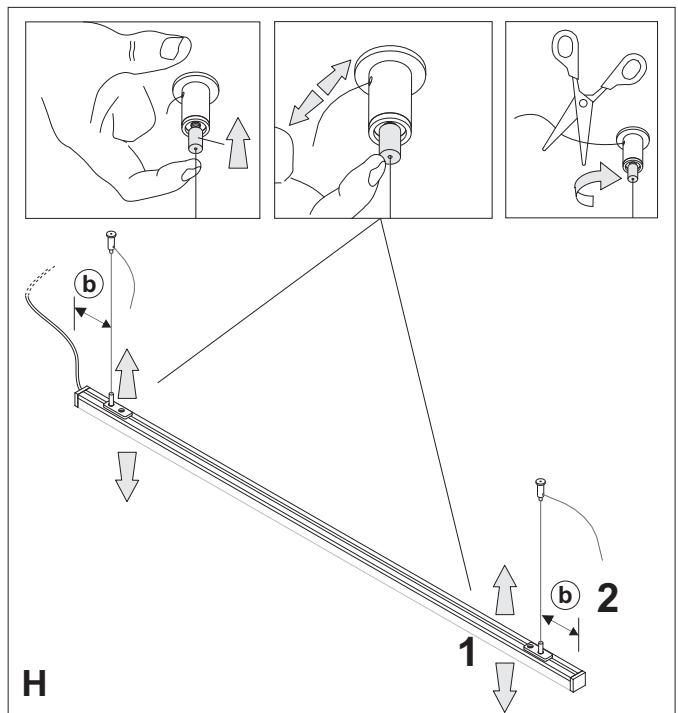
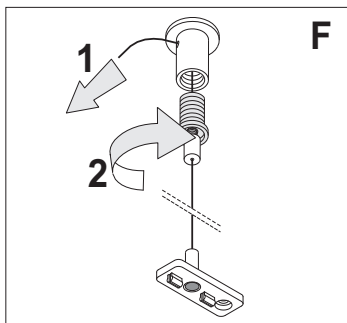
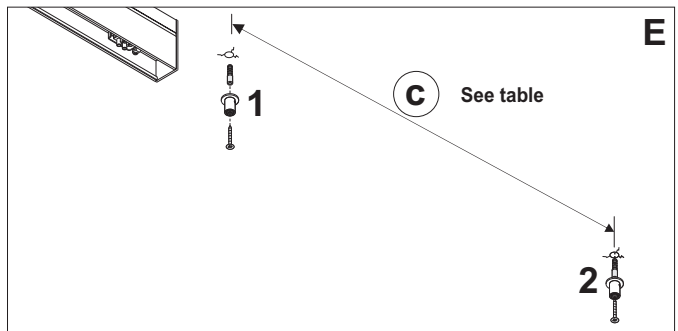
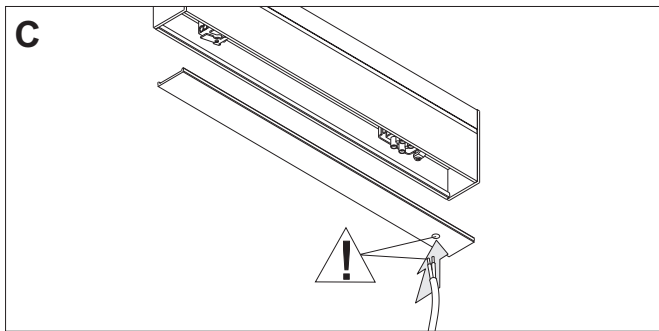
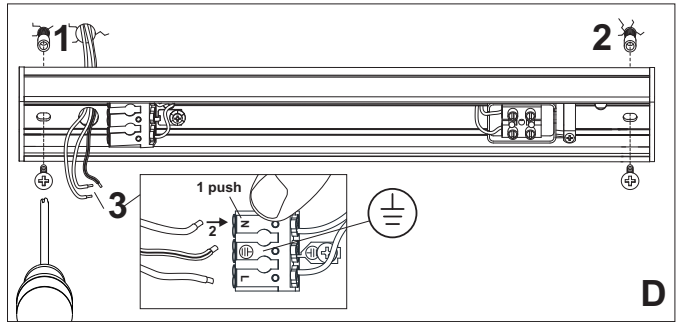
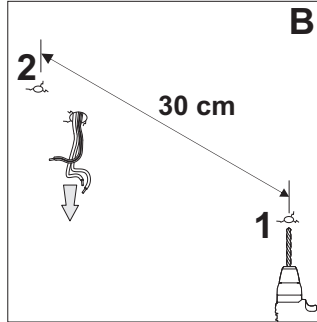
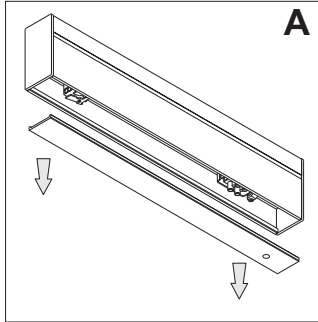
EXTRA™

INSTALLATION INSTRUCTIONS

TYPE:

PROJECT NAME:

art. 1560



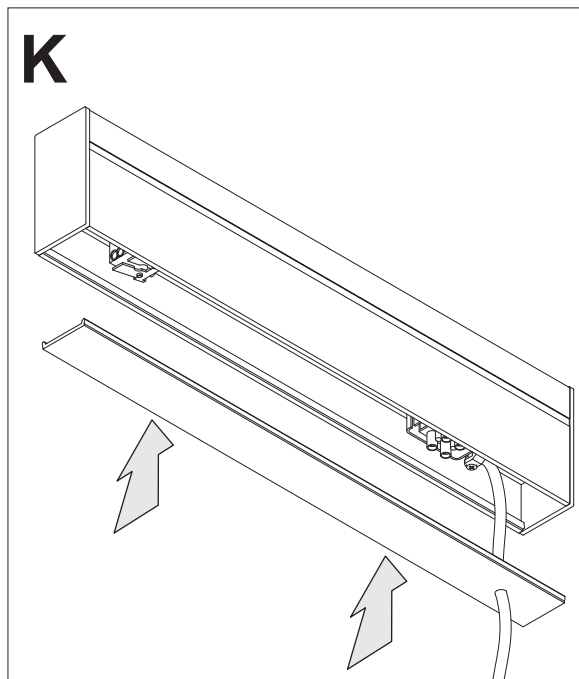
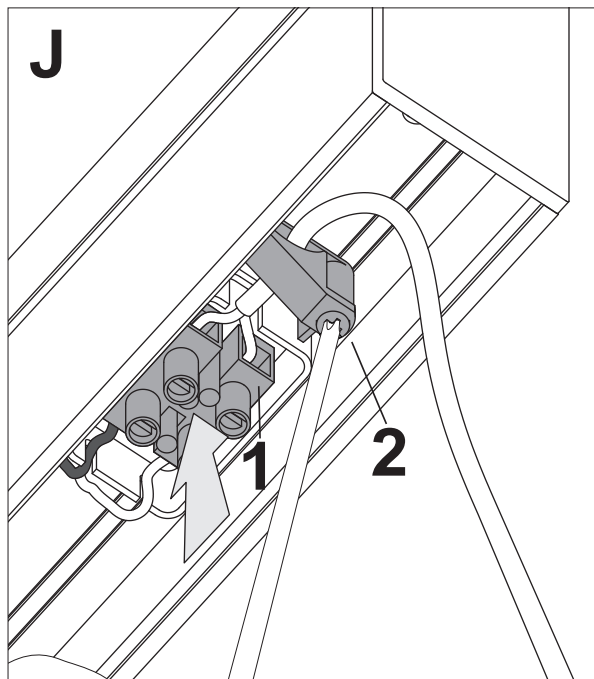
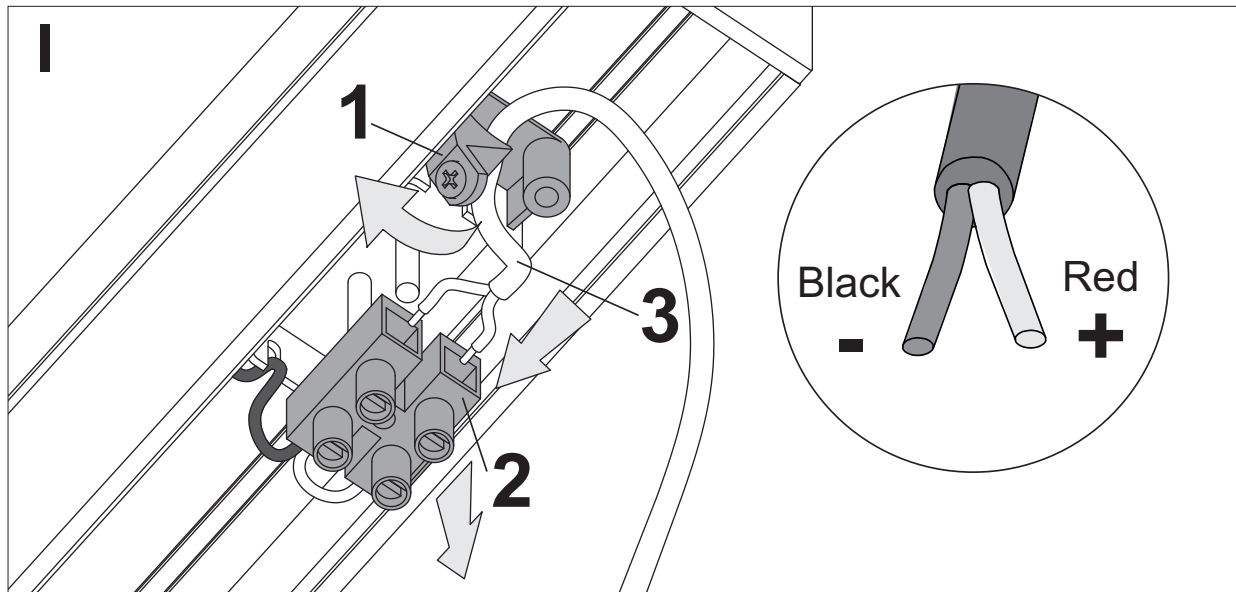
INSTALLATION SHEET

EXTRA™

INSTALLATION INSTRUCTIONS

TYPE:

PROJECT NAME:



INSTALLATION SHEET