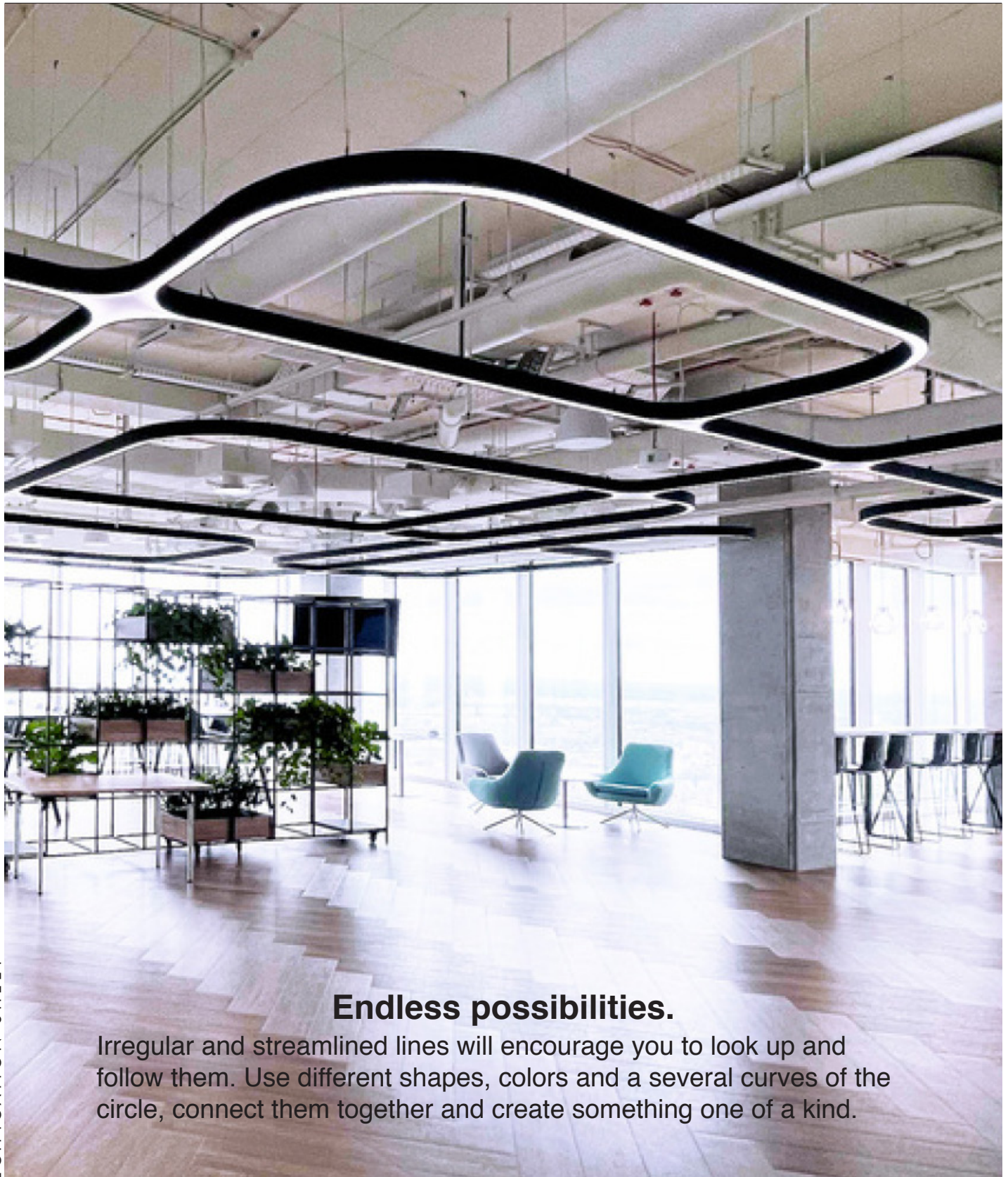


F1 MODULAR SYSTEM™ TYPE:

SUSPENSION / CEILING

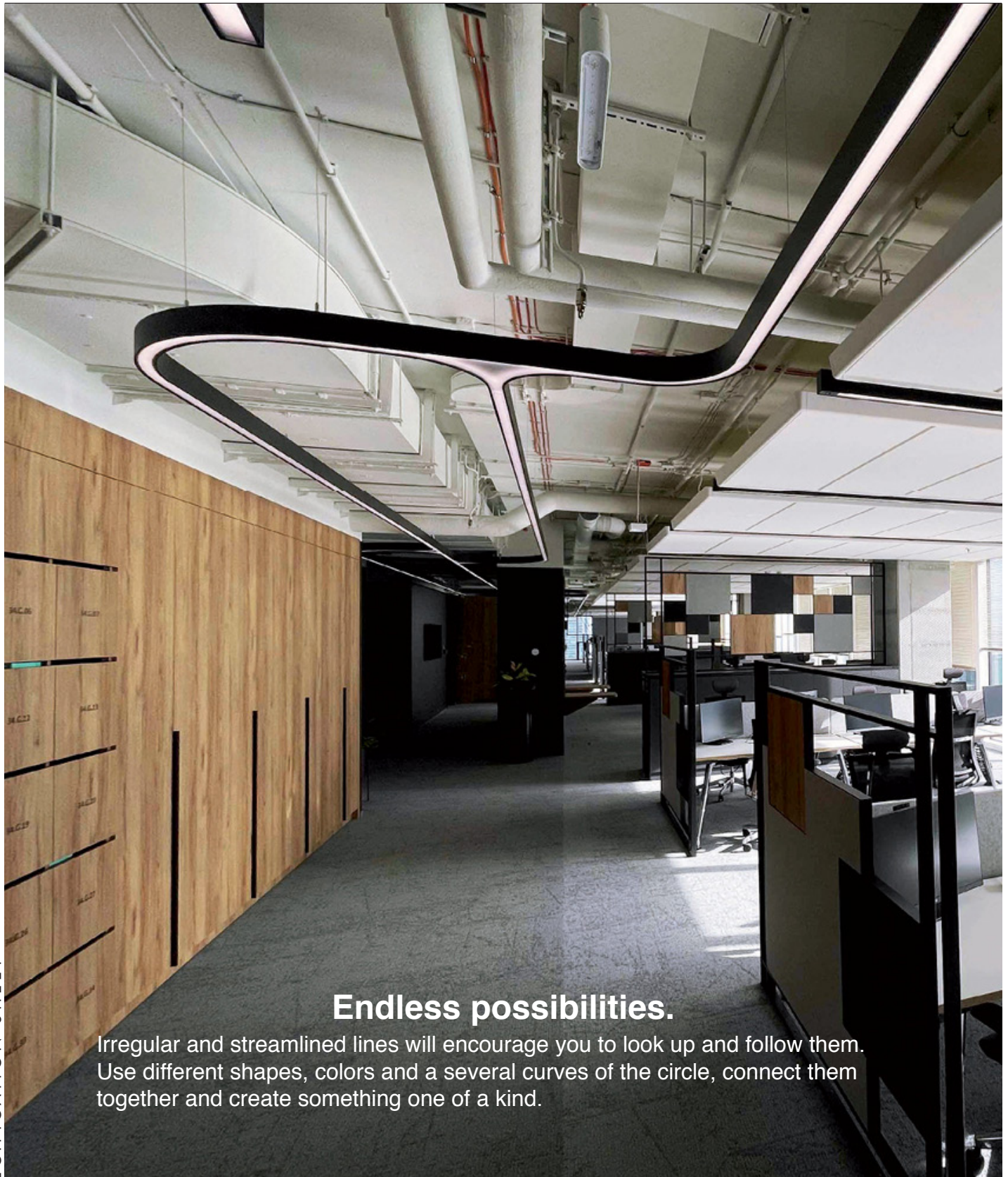
PROJECT NAME:



SPECIFICATION SHEET

Endless possibilities.

Irregular and streamlined lines will encourage you to look up and follow them. Use different shapes, colors and a several curves of the circle, connect them together and create something one of a kind.



SPECIFICATION SHEET

Endless possibilities.

Irregular and streamlined lines will encourage you to look up and follow them. Use different shapes, colors and a several curves of the circle, connect them together and create something one of a kind.

F1 MODULAR SYSTEM™ TYPE:

SUSPENSION / CEILING

PROJECT NAME:

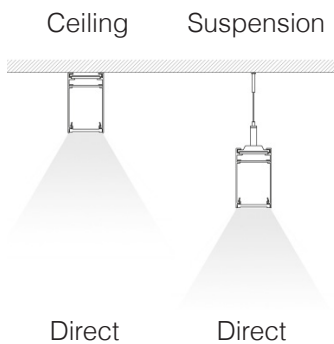
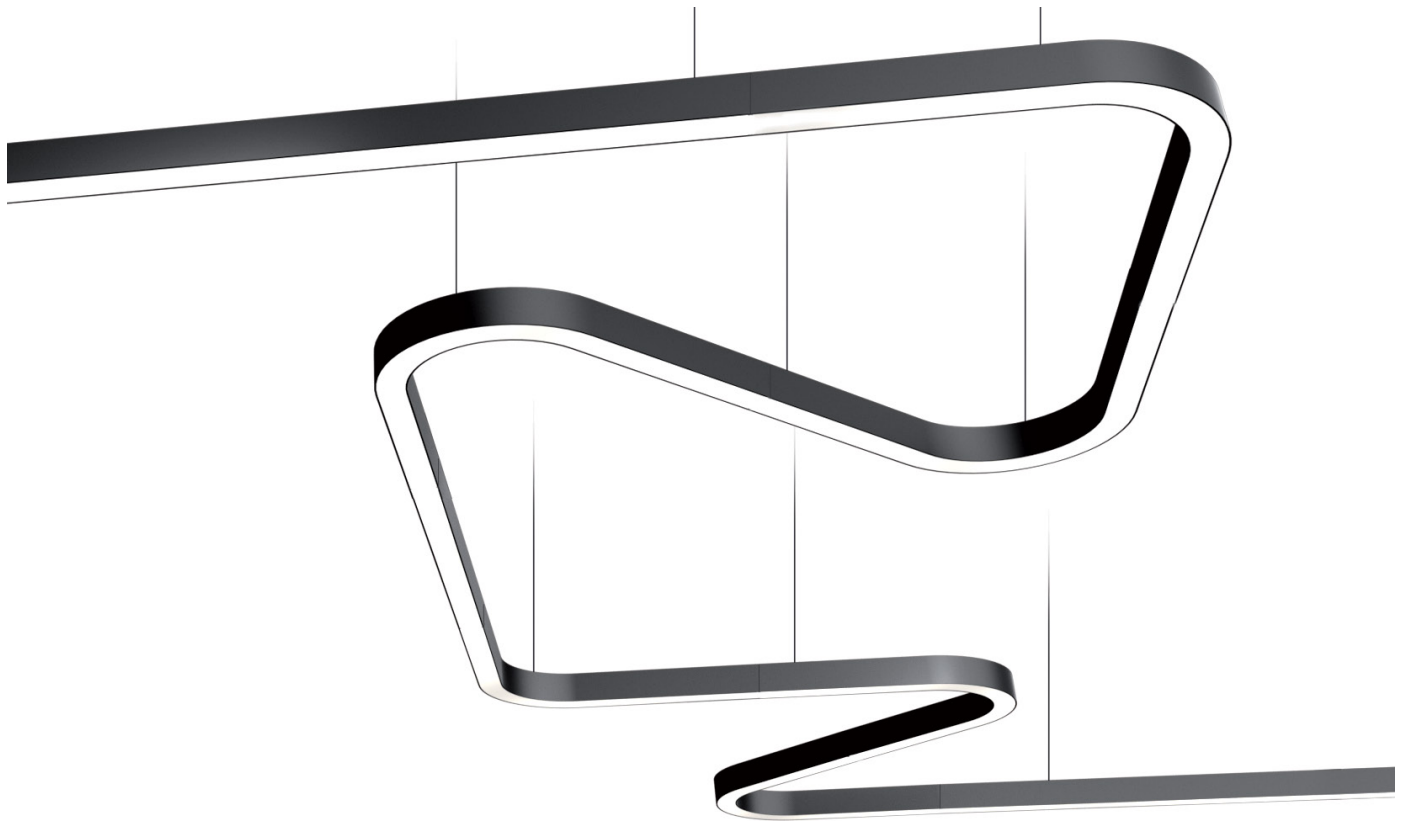


SPECIFICATION SHEET

F1 MODULAR SYSTEM™ TYPE:

SUSPENSION / CEILING

PROJECT NAME:



Installation:

Ceiling mounted, Suspended: 3m (118.11") cable (Longer cable on request).

Light source:

LED PCB, 3000 K / 4000 K, CRI > 80, MacAdam ≤ 3, 50 000 h L80 B10.

Luminaire power:

Medium output (MO) version 5 W/ft,
High output (HO) version 9 W/m.

Luminaire flux:

Medium output (MO) version up to 527 lm/ft,
High output (HO) version up to 979 lm/ft (for microcrystal duffuser).

Light distribution:

Direct

Body:

Extruded aluminum profile, powder coated.

Diffuser for linear lighting:

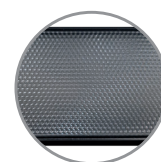
Satin, microcrystal, microprism.



Satin Diffuser

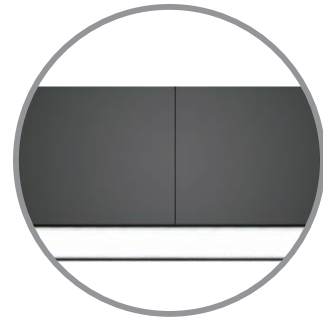
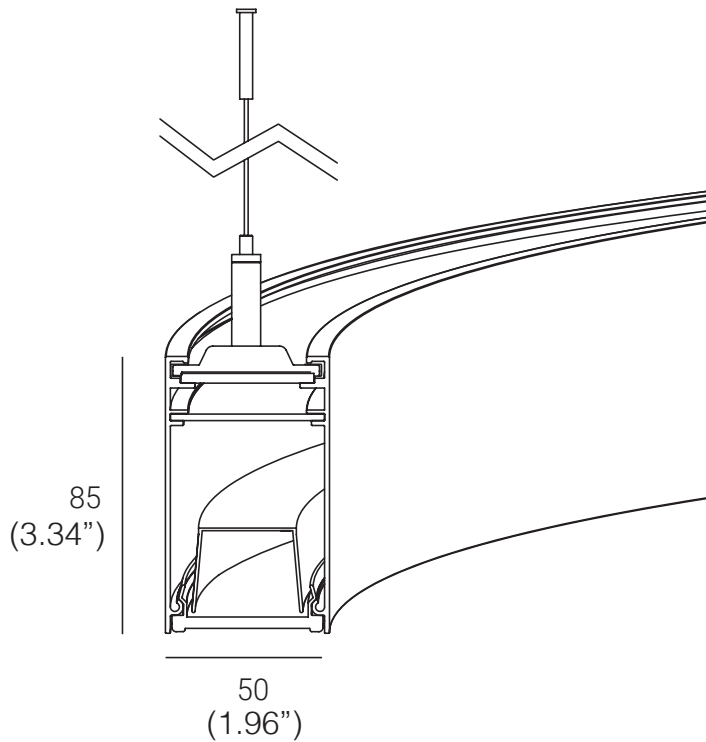


Microcrystal Diffuser



Microprism Diffuser

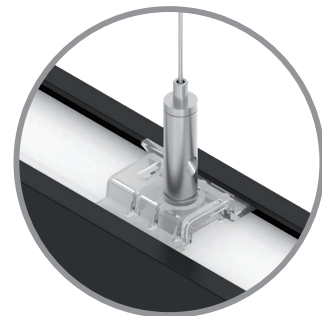
SPECIFICATION SHEET



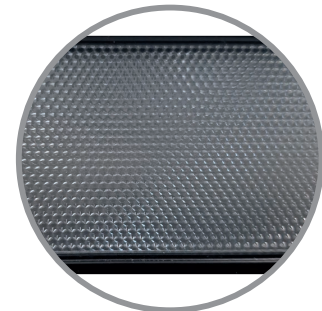
Connection of profiles in a way that eliminates the risk of glowing through the gaps.



Diffusers with overlapping joints eliminate gaps at their connection point.



Micropositioner - with it you can freely adjust the height of the luminaire suspension with an accuracy of 1 mm (0.03"). It is possible to change the position of the micropositioner.

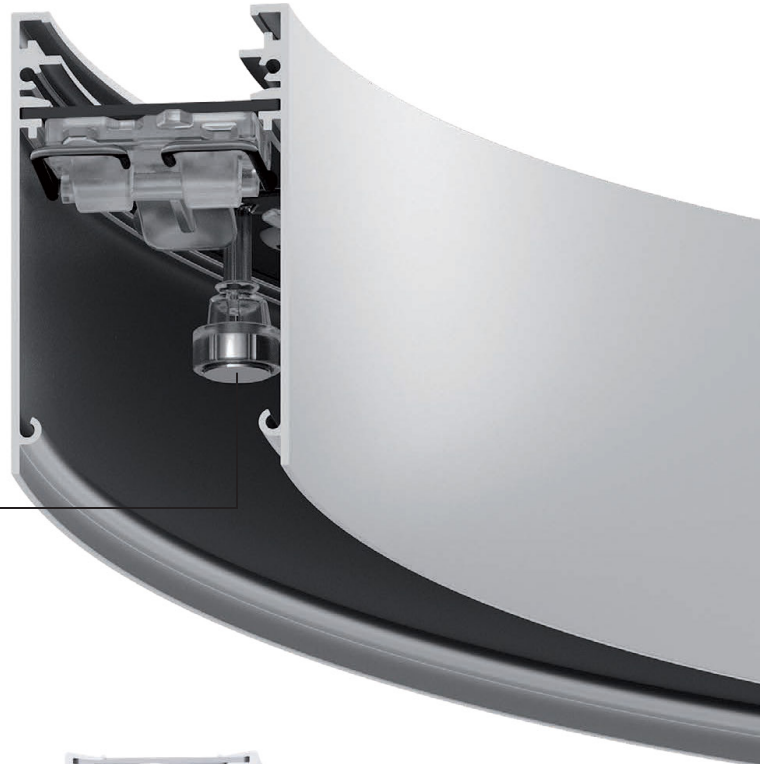


Microprismatic diffuser with hexagonal structure providing anti-glare protection from multiple viewing directions.

Colors

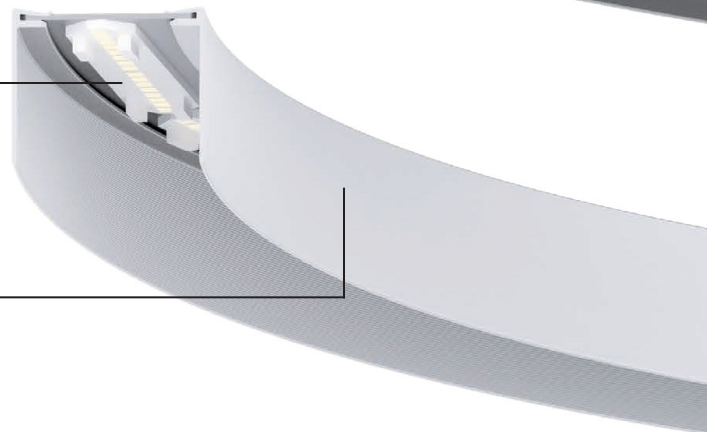


SPECIFICATION SHEET



Magnetic holder

Magnetic holder holding down the radiator and other accessories together.



LED module

LED module on an aluminum base

Reflector

White reflector made of high reflective PC profile to increase the efficiency of the luminaire.



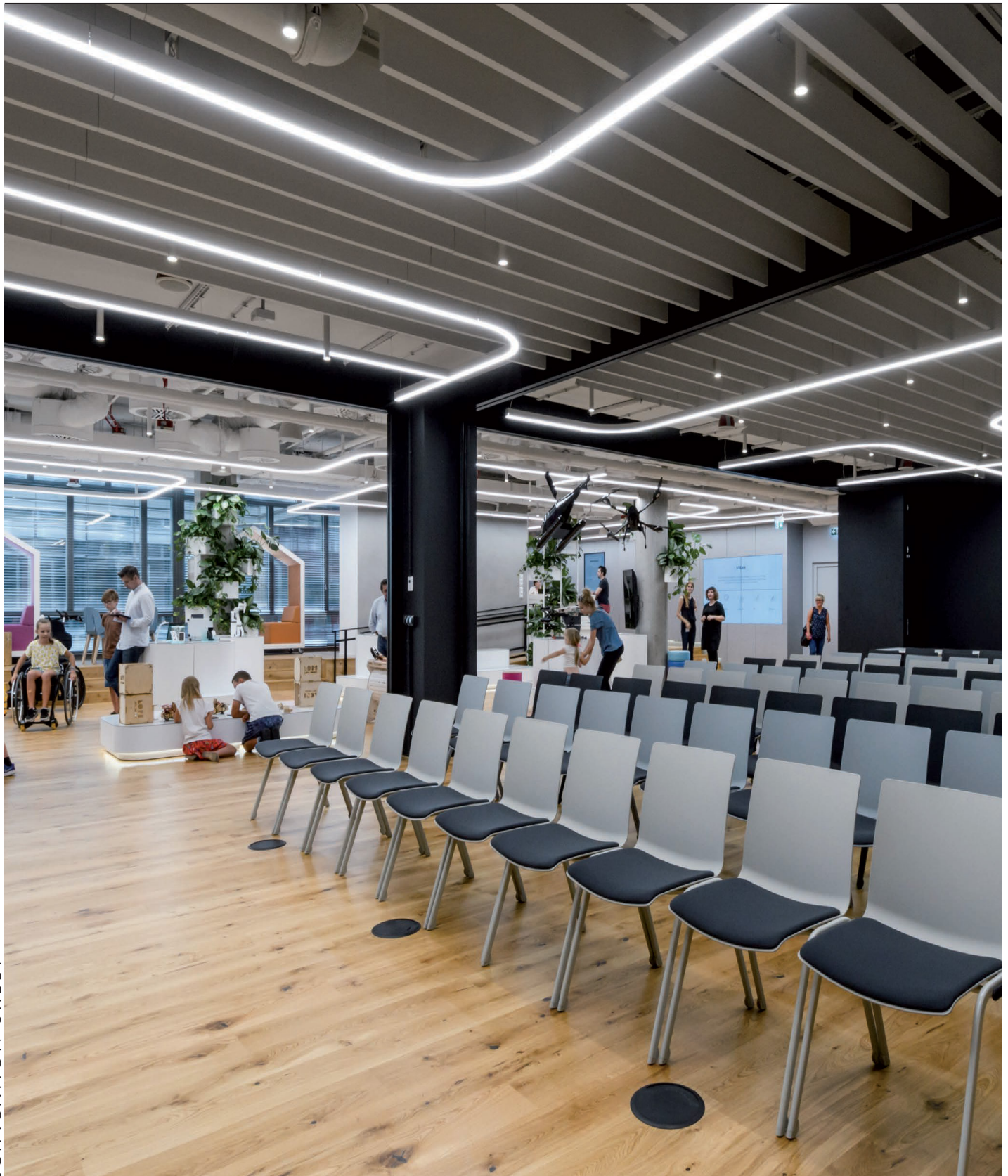
Dark microrystal diffuser

Dark microrystal diffuser with hexagonal structure providing anti glare protection from multiple viewing directions.

F1 MODULAR SYSTEM™ TYPE:

SUSPENSION / CEILING

PROJECT NAME:



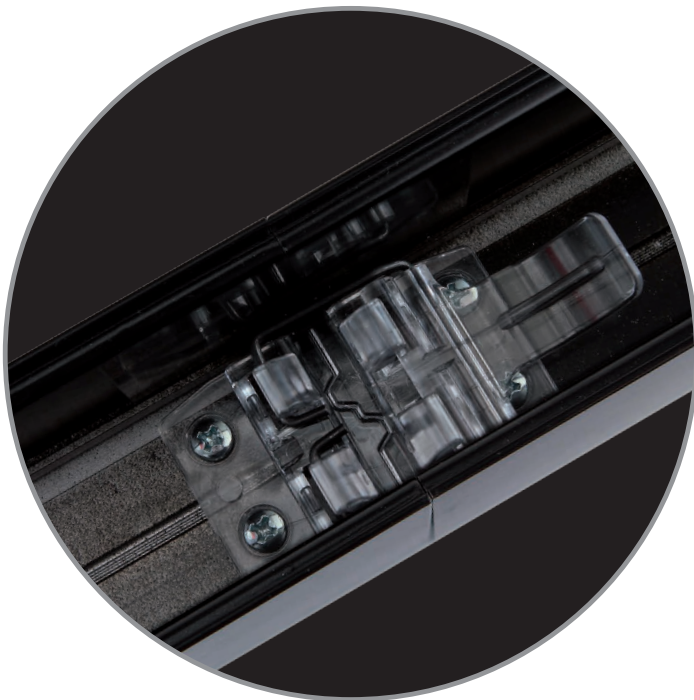
SPECIFICATION SHEET

F1 MODULAR SYSTEM™ TYPE:

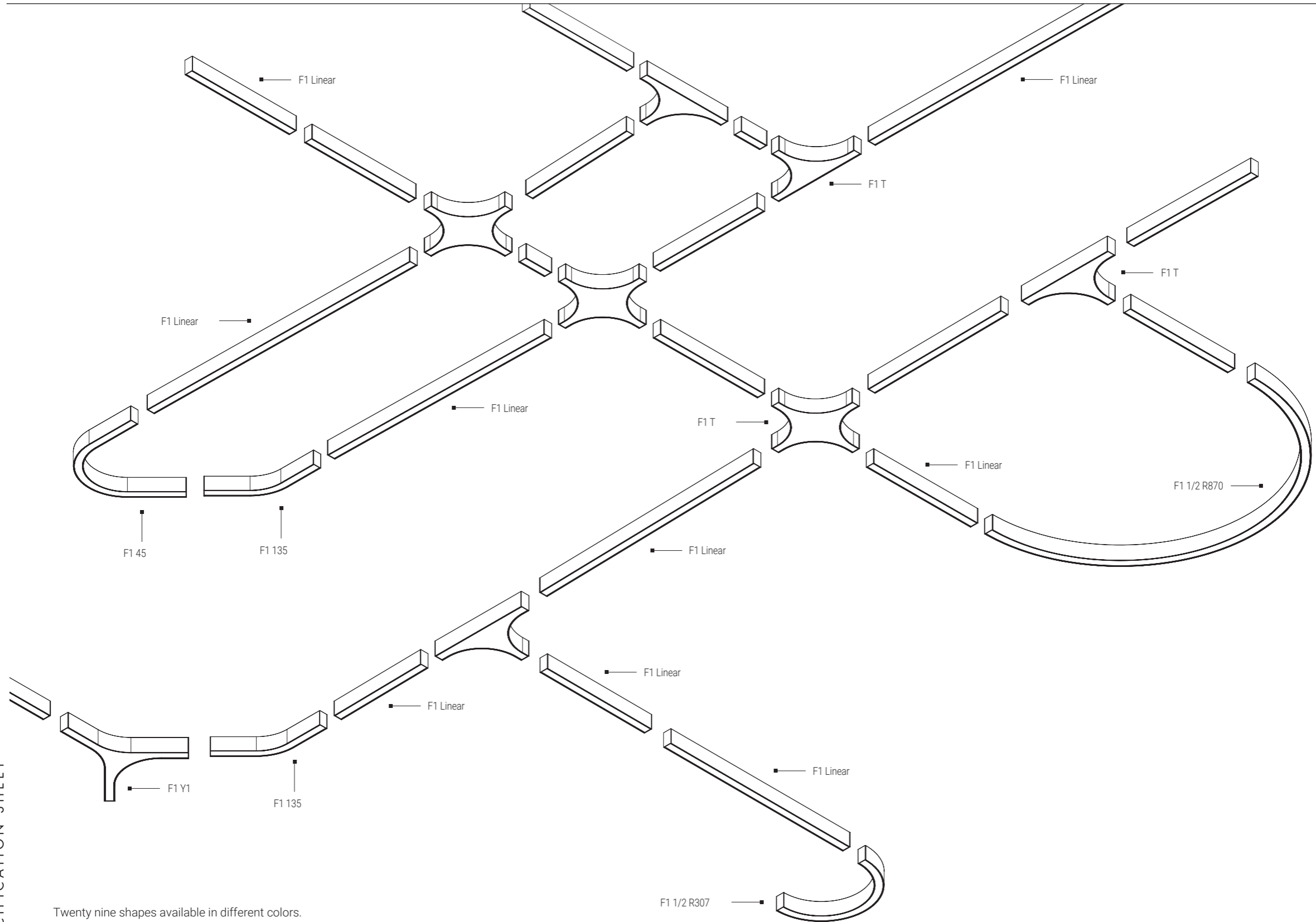
SUSPENSION / CEILING

PROJECT NAME:

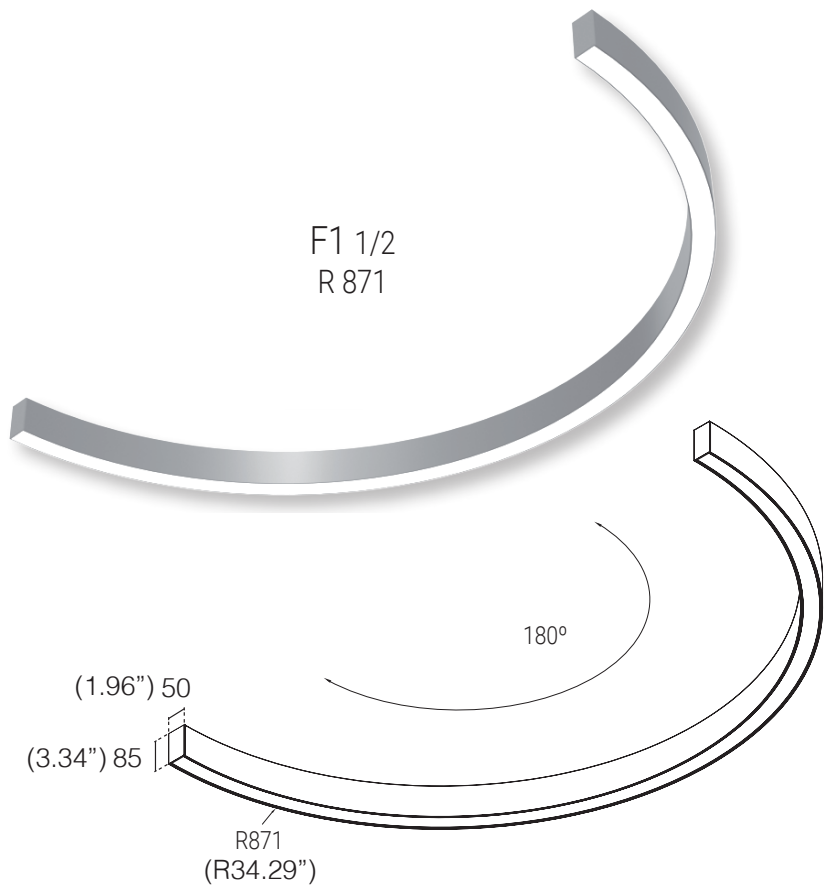
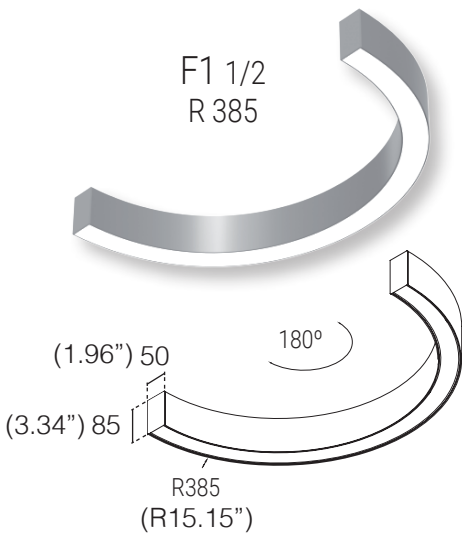
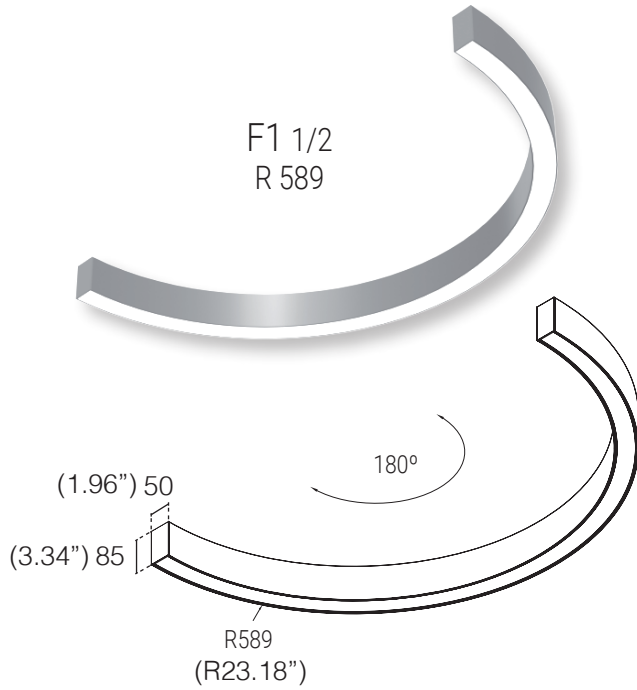
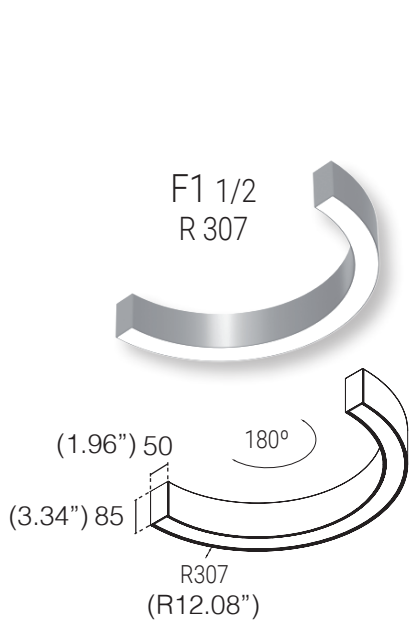
Black screens - connection of profiles in a way eliminating lighting gaps.

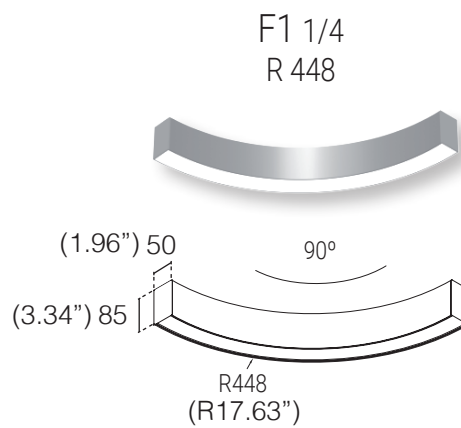
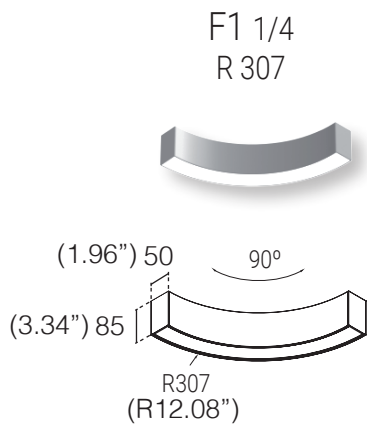
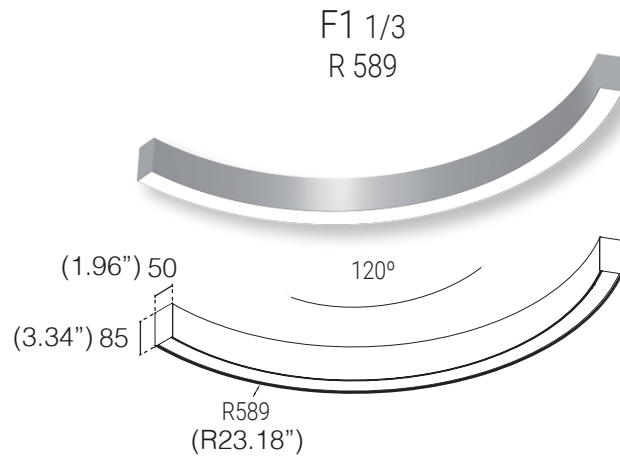
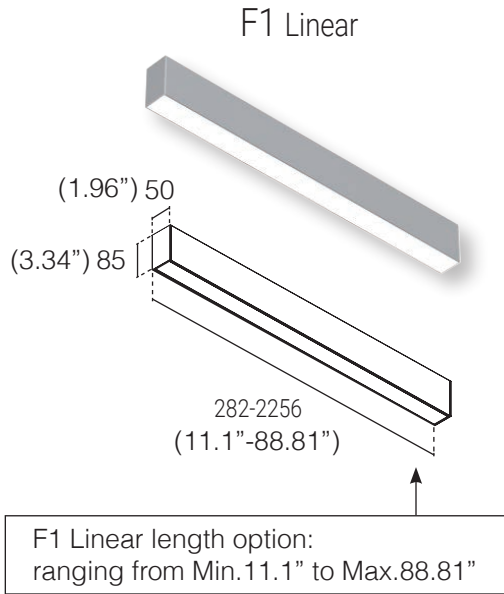


Mechanical lock allowing to connect the system modules without any tools.

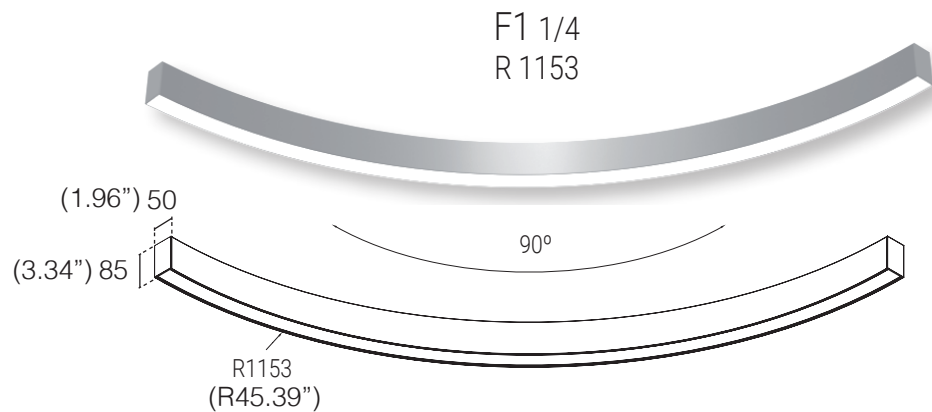
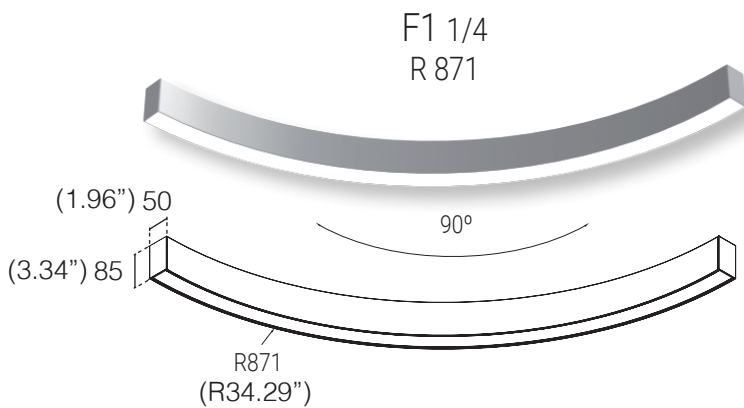
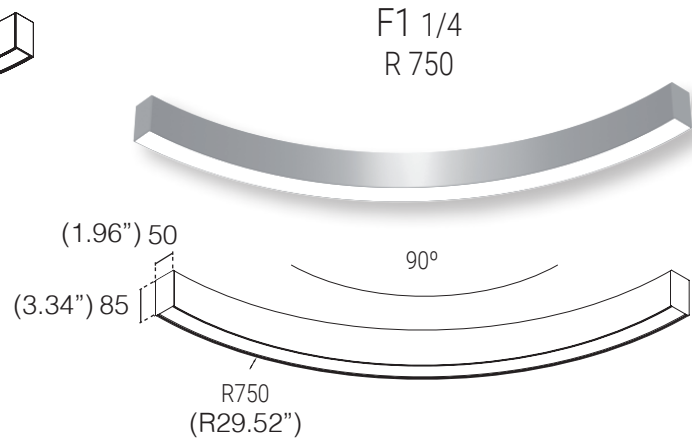
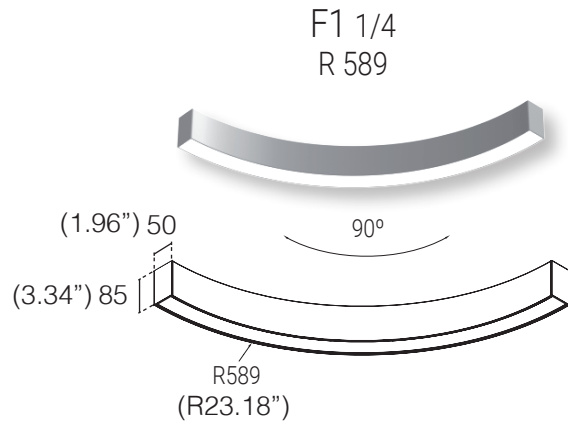


Twenty nine shapes available in different colors.

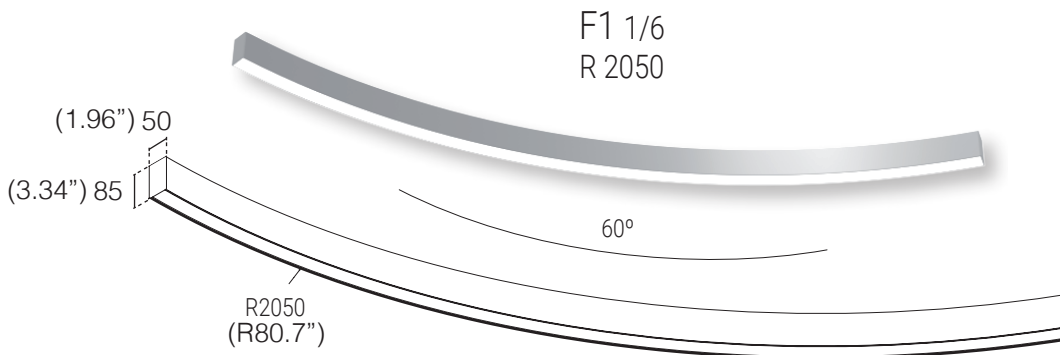
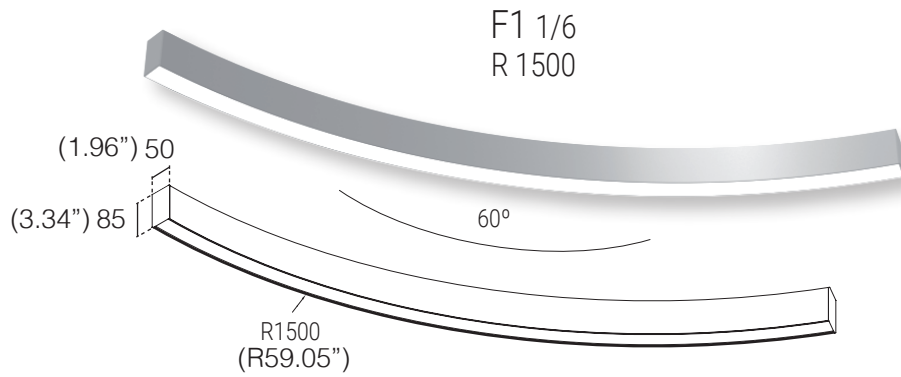
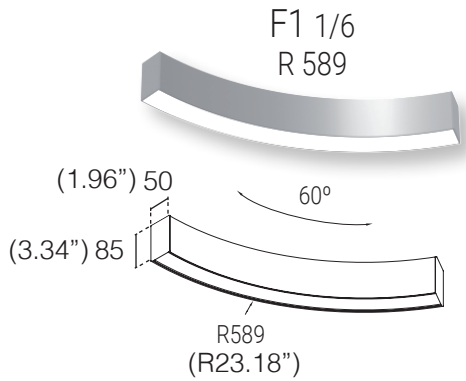




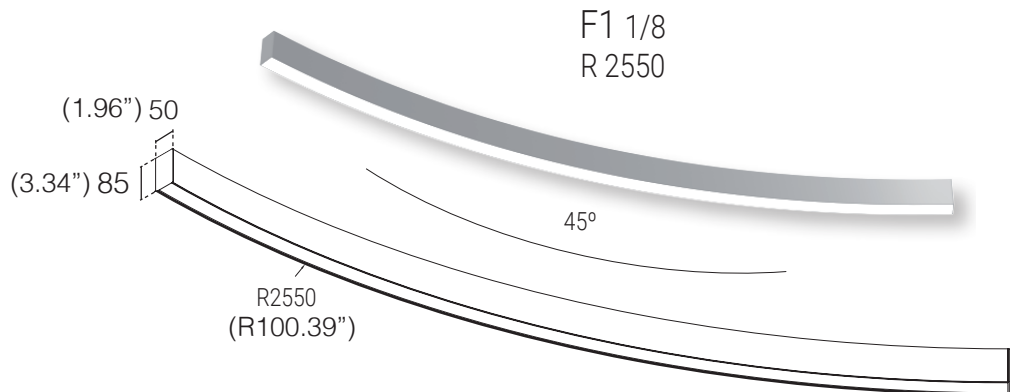
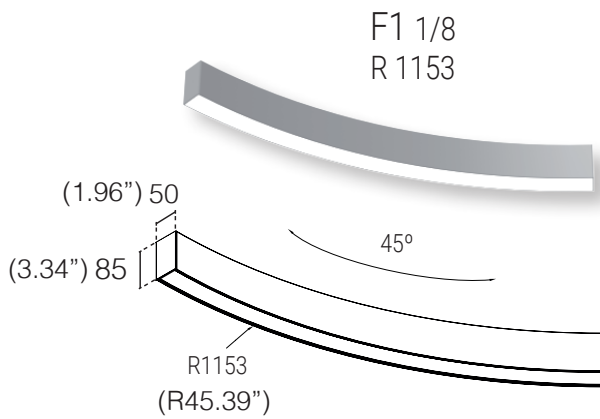
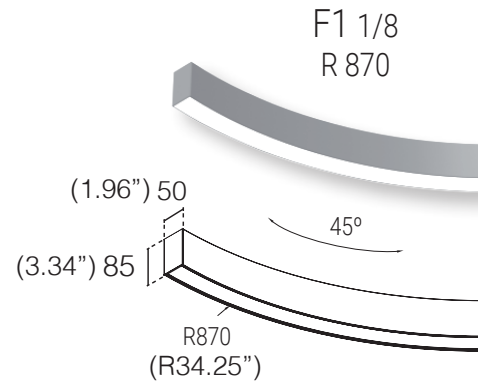
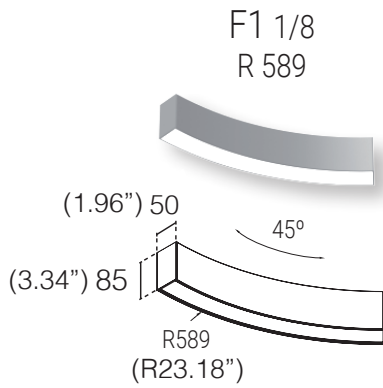
SPECIFICATION SHEET



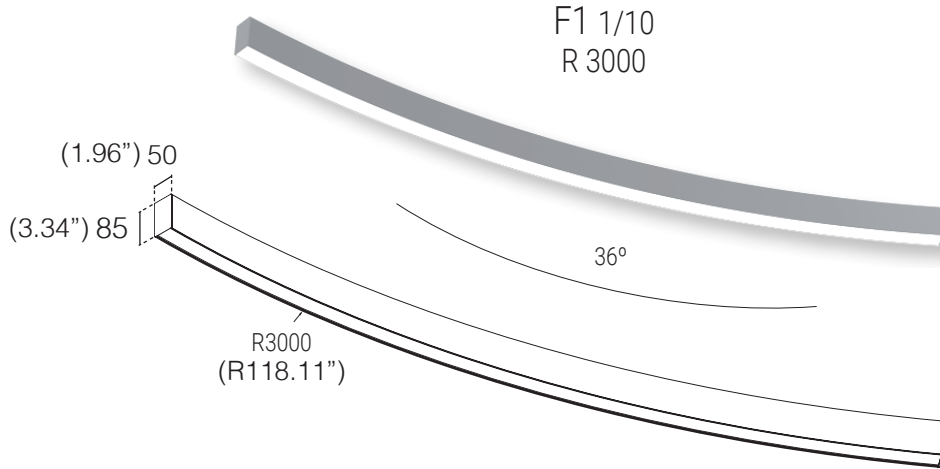
SPECIFICATION SHEET



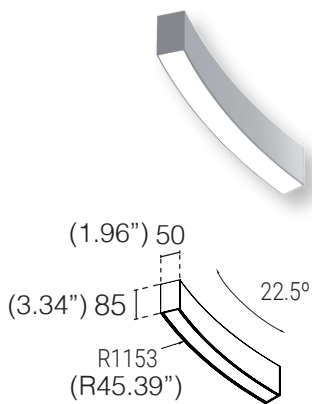
SPECIFICATION SHEET



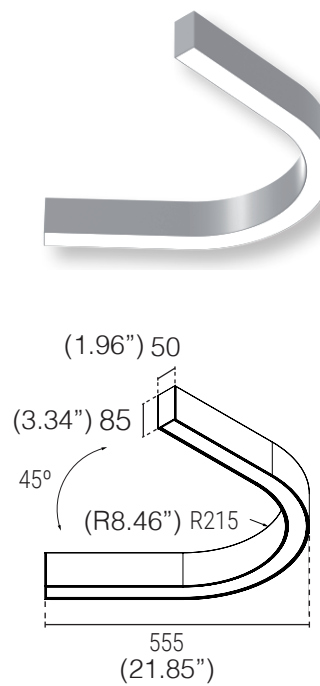
SPECIFICATION SHEET



F1 1/16
R 1153

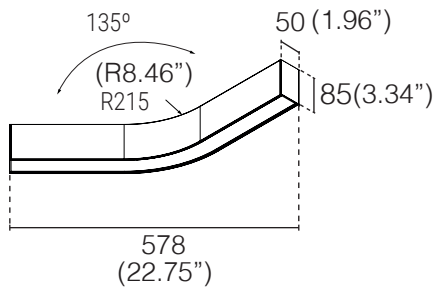


F1 45

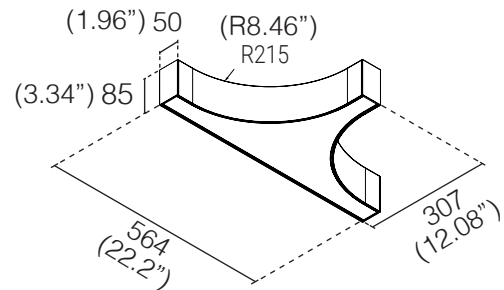


SPECIFICATION SHEET

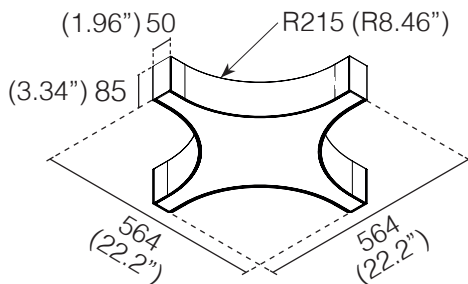
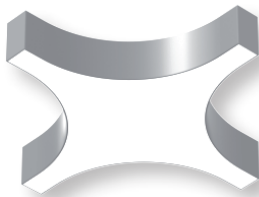
F1 135



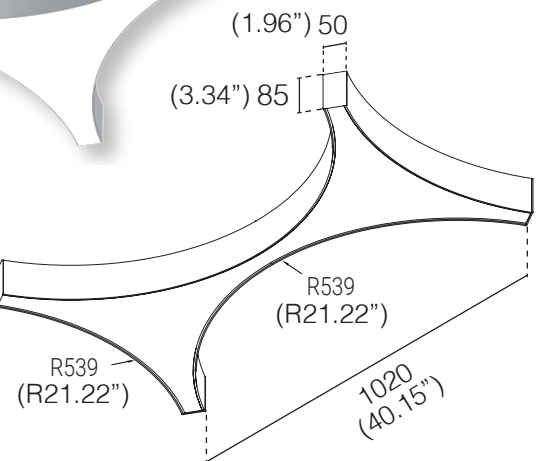
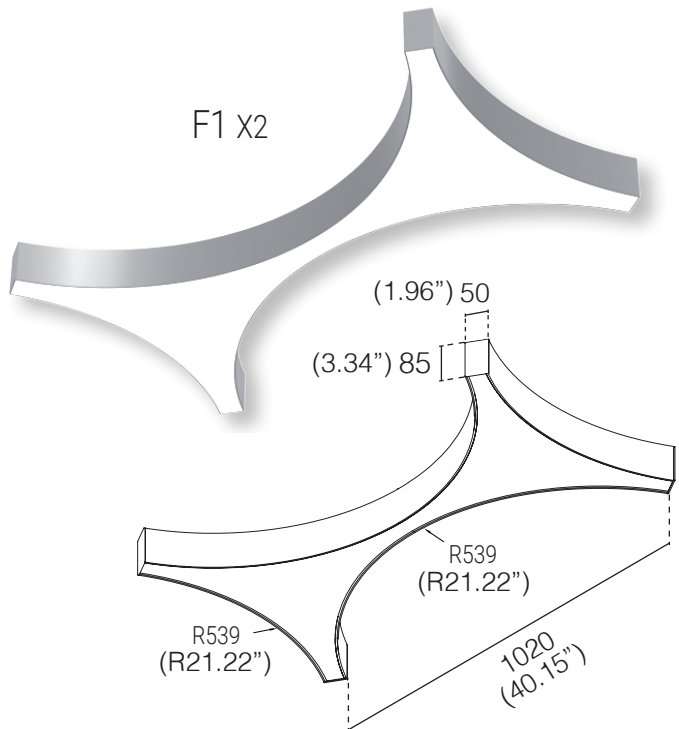
F1 T



F1 X1

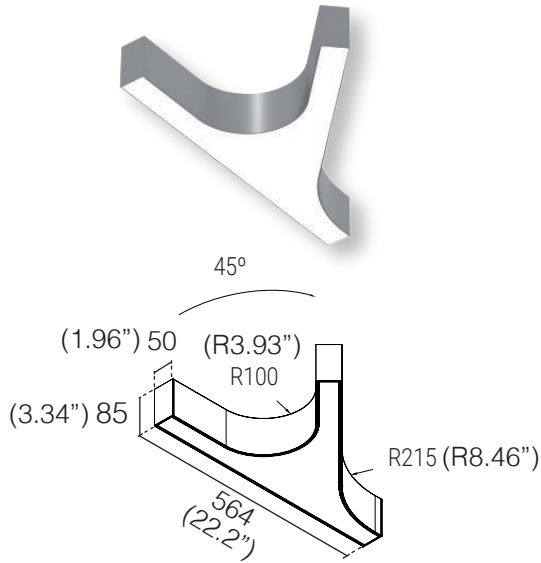


F1 X2

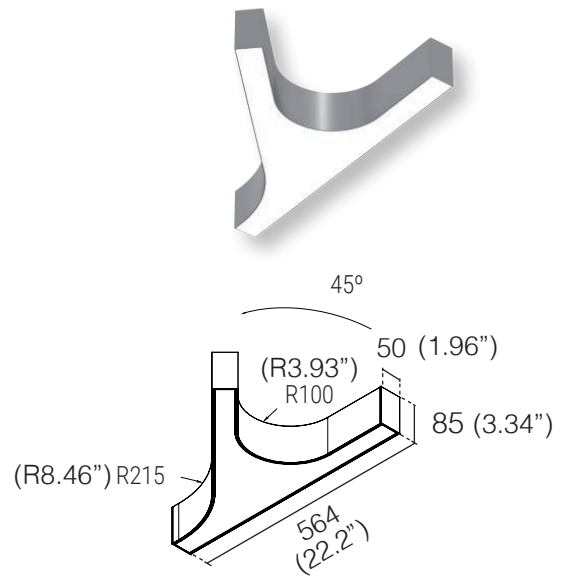


SPECIFICATION SHEET

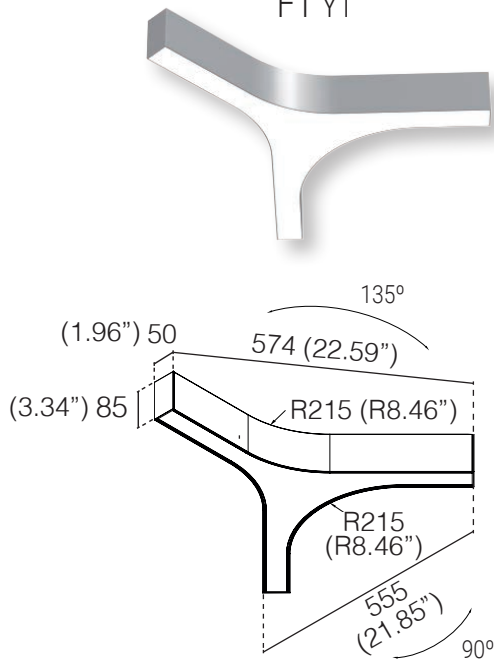
F1 Y2R



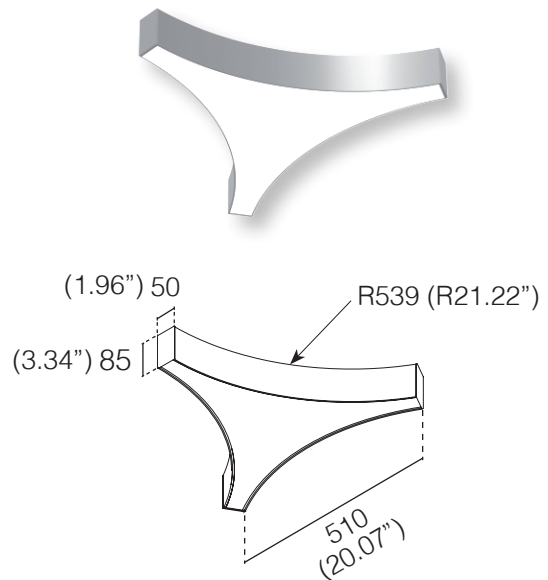
F1 Y2L



F1 Y1



F1 Y3



SPECIFICATION SHEET



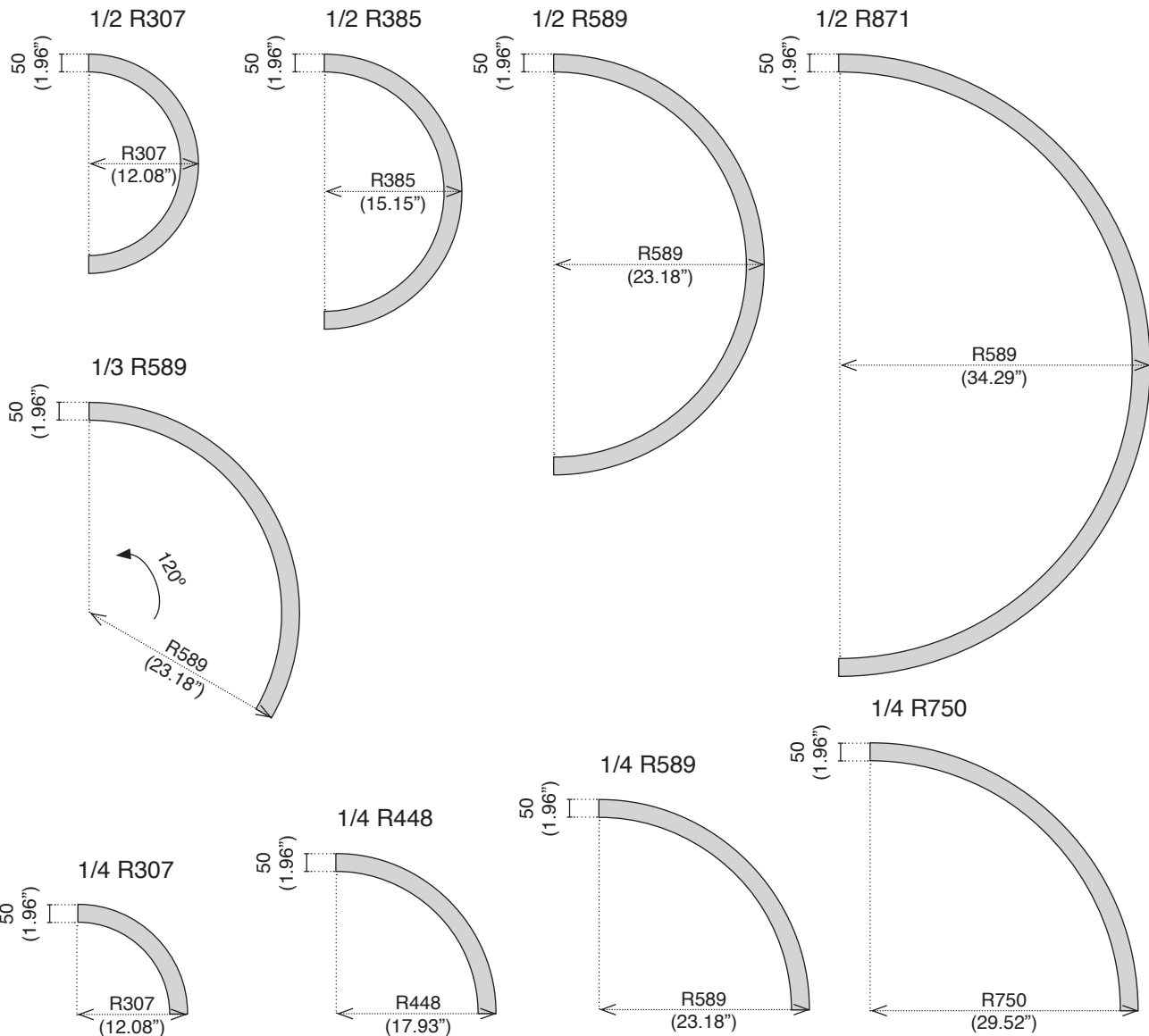
ORDERING INFO

LED OPTIONS:

Installation & Light Distribution	Finish	Lumen Output Options	Diffuser Options	LED	Dimming Options
<input type="radio"/> F1SD: Suspension (Direct Downlight)	See Page 5	<input type="radio"/> MO: Medium Output 5W/ft 527 lm/ft	<input type="radio"/> SA: Satin	<input type="radio"/> 3000K	<input type="radio"/> 120V LTE
<input type="radio"/> F1CD: Ceiling Mounted (Direct Downlight)		<input type="radio"/> HO: High Output 9 W/ft 979 lm/ft	<input type="radio"/> MP: Microprism	<input type="radio"/> 4000K	<input type="radio"/> 120-277V 0-10V (Universal Voltage)
			<input type="radio"/> MC: Microcrystal		
			<input type="radio"/> DMC: Dark Microcrystal		

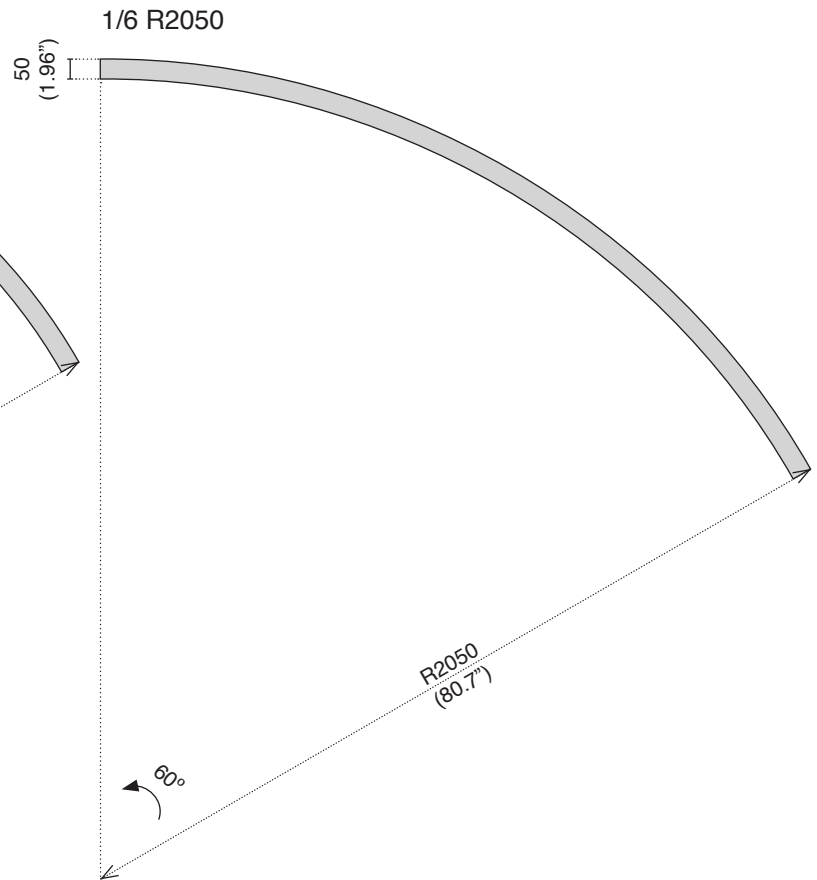
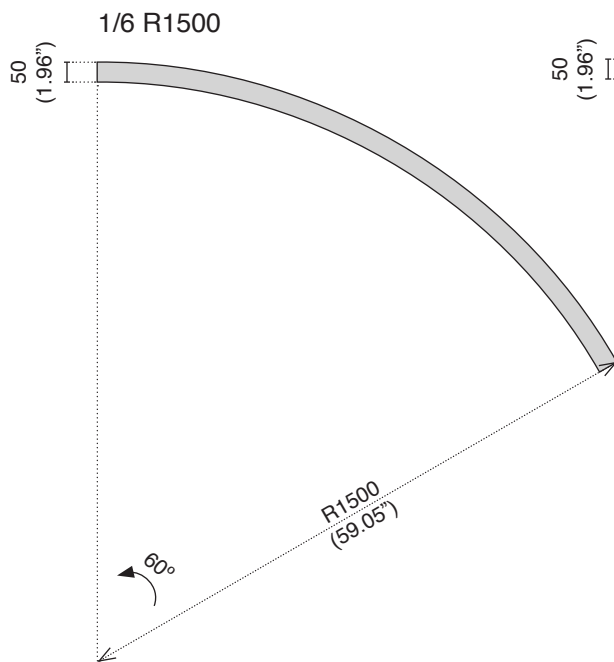
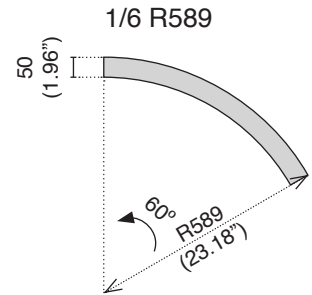
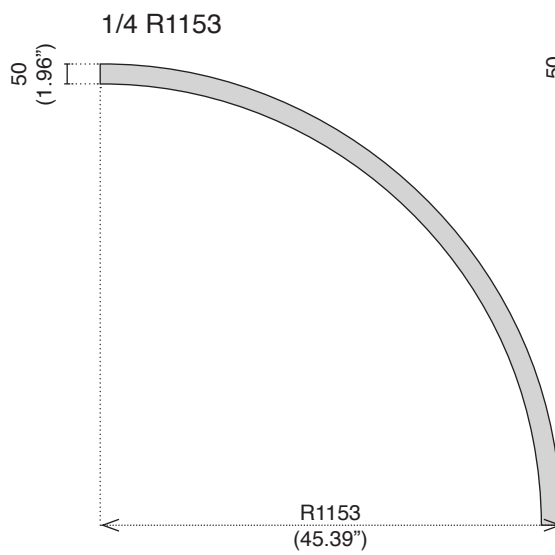
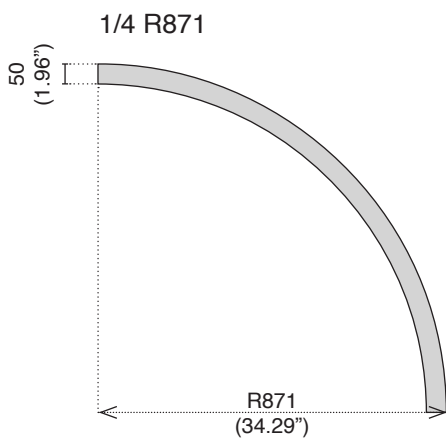
F1 SYSTEM DESIGN NOTE: MODULES (Part 1 of 4)

The F1 modular system can be designed in multiple configurations by using the different F1 System modules below. Please use the modules shown below to create your own unique preliminary design, and submit to Luminart for engineering and quotation.



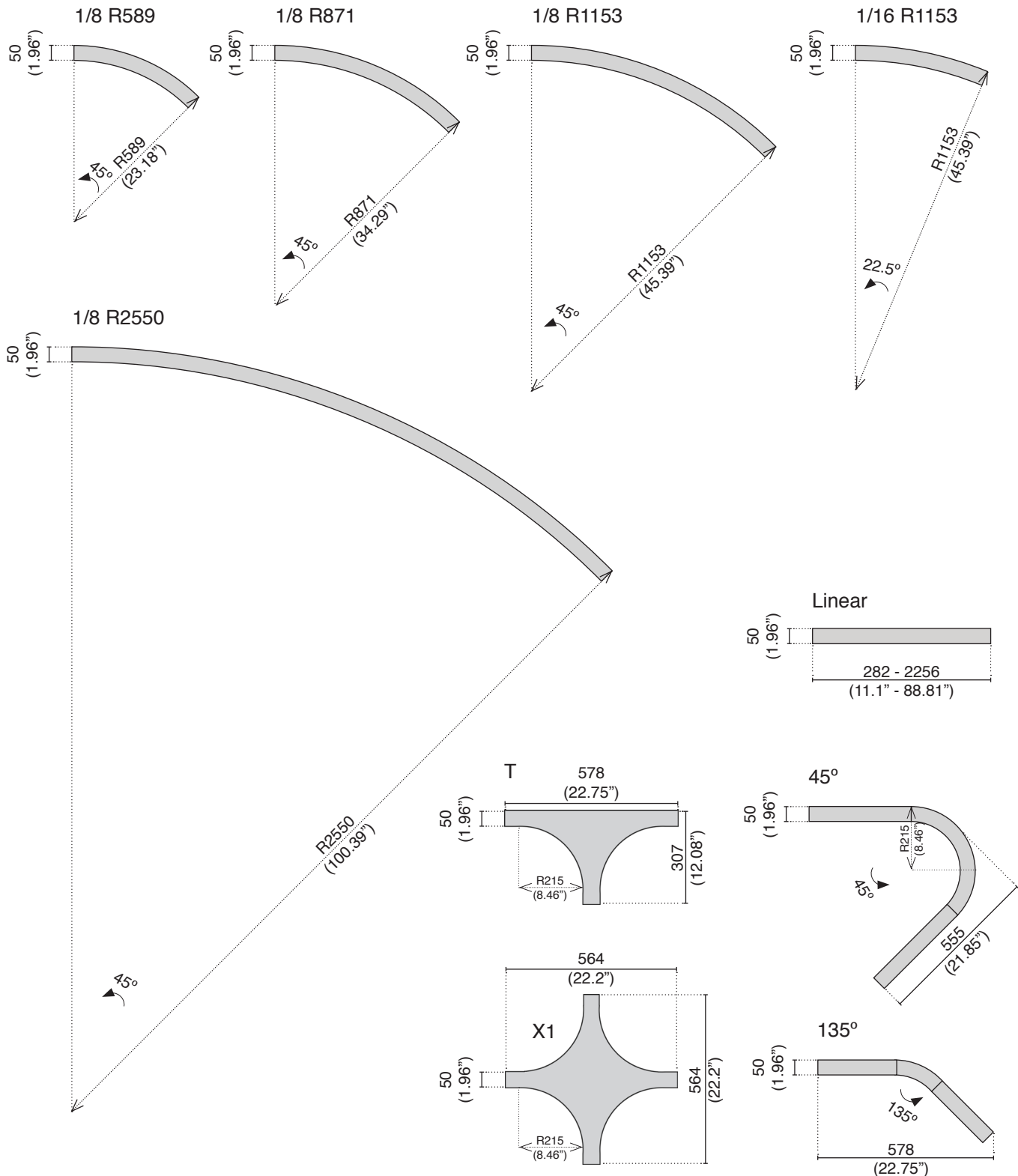
SPECIFICATION SHEET

F1 SYSTEM DESIGN NOTE: MODULES (Part 2 of 4)



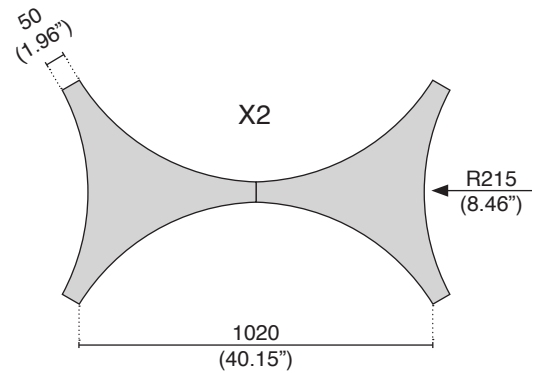
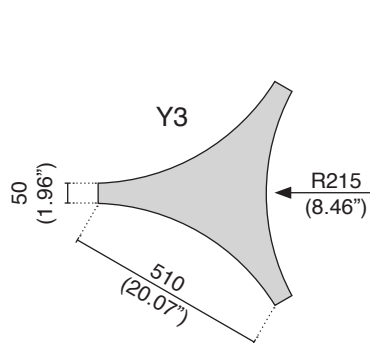
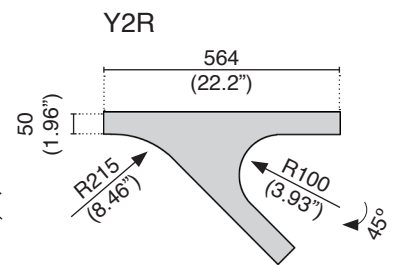
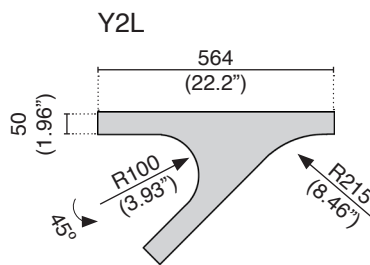
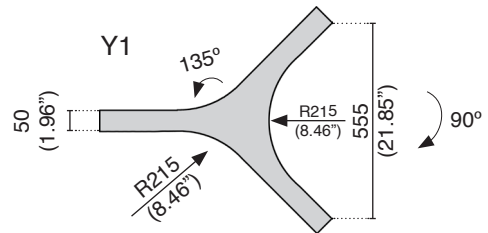
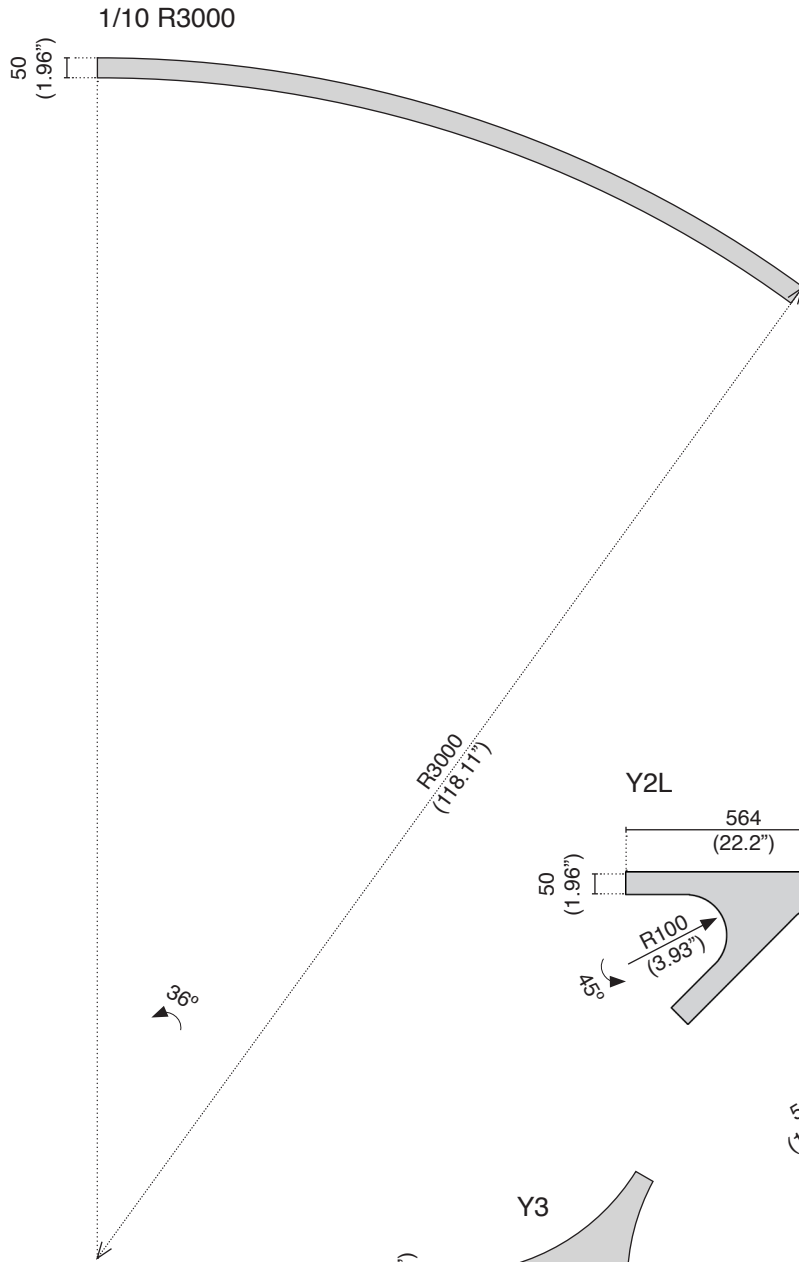
SPECIFICATION SHEET

F1 SYSTEM DESIGN NOTE: MODULES (Part 3 of 4)



SPECIFICATION SHEET

F1 SYSTEM DESIGN NOTE: MODULES (Part 4 of 4)



SPECIFICATION SHEET