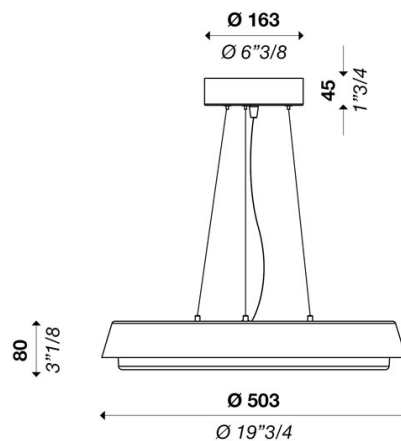


# FLAT™

## SUSPENSION

TYPE:

PROJECT NAME:



### Technical data

Light source	LED
Circuit structure	LED module vers.4
Light emission direction	direct
Power	41 W
Source lumens	7000 lm
Source efficacy	171 lm/W
Consumption	48 W
Delivered lumens	5000 lm
Luminaire efficacy	104 lm/W
Secondary	1200mA
Colour temperature	3000K / 4000K
Colour rendering index	80 CRI
Standard Deviation of Colour Matching	3 SDCM
Energy class	A
Safety class	I
Degree of protection	IP 20
Direct mounting on normally flammable surfaces	●
Operating temperature	+10° / +40°

### Structure

Material aluminum

### Diffuser

Material pmma

### Canopy

Diameter ( Ø ) 163 mm - 6" 3/8 inch

Height 45 mm - 1" 3/4 inch

### Hanging cables

Stainless steel cables standard length (custom available) 2000 mm / 78" 3/4

Electric cable standard length (custom available) 2500 mm/100"

### Structure finish

gold

matte white

matte black



### Diffuser

opal

transparent  
prismatic



SPECIFICATION SHEET

### ORDERING INFO

L032520301U20000

Model (Order Code)

Finish

Diffuser

LED

Driver Options

- Matte Black  
 Matte White  
 Gold

- Opal  
 Prismatic

- 3000K  
 4000K

- 120V Phase Dimming  
 120V 0-10V Dimming  
 277V 0-10V Dimming



**Luminart®**

WWW.LUMINARTLIGHTING.COM