

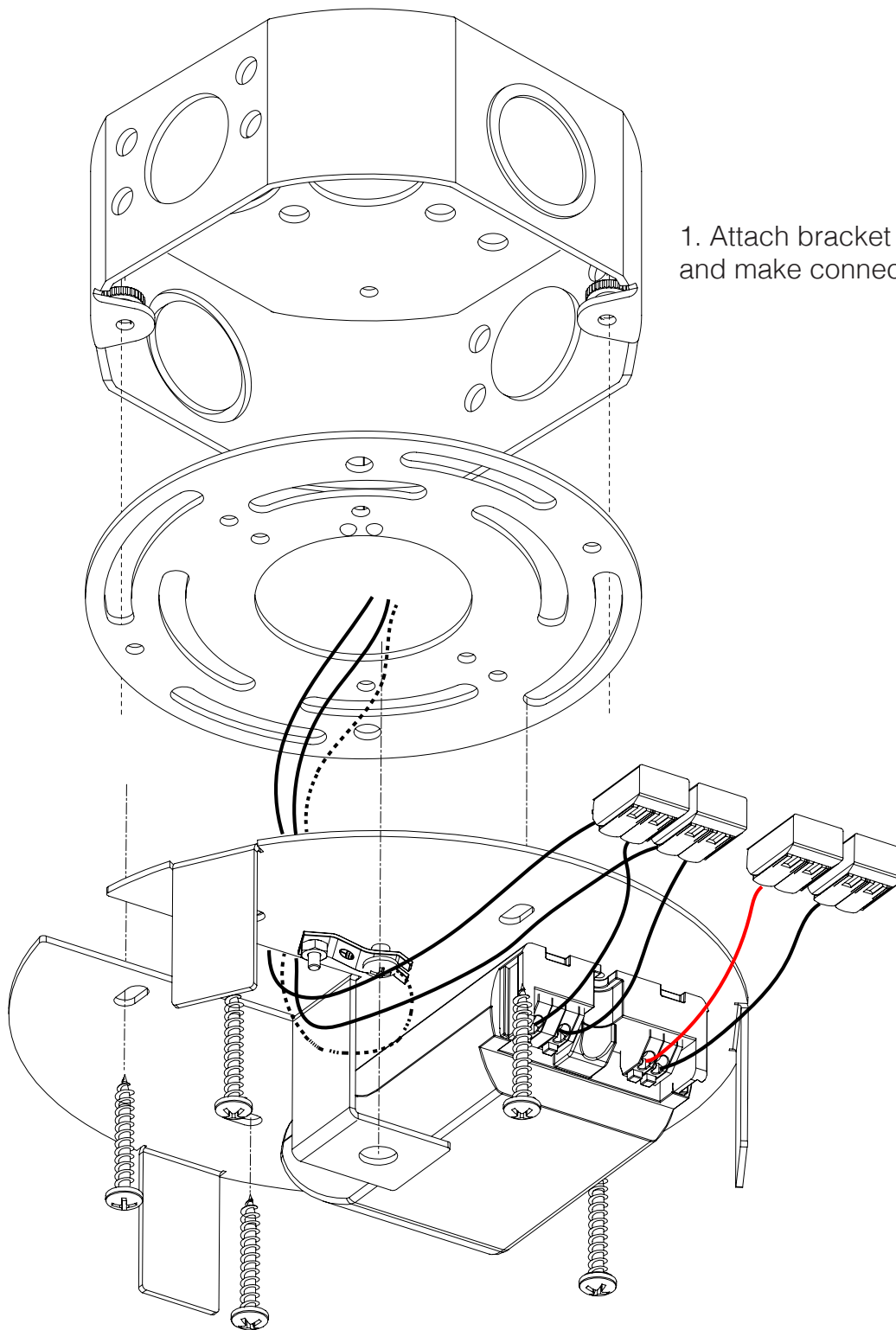
# FLOAT™

## INSTALLATION SHEET

TYPE:

PROJECT NAME:

Connecting and testing the lamps must always be done by an acknowledged electrician according to the locally applying regulations on electric installations. Do not place on a flammable surface. Disconnect from the main supply when fitting lamp or changing bulb.  
Fixture mounts to a standard junction box (not supplied).



1. Attach bracket to junction box and make connections to driver.

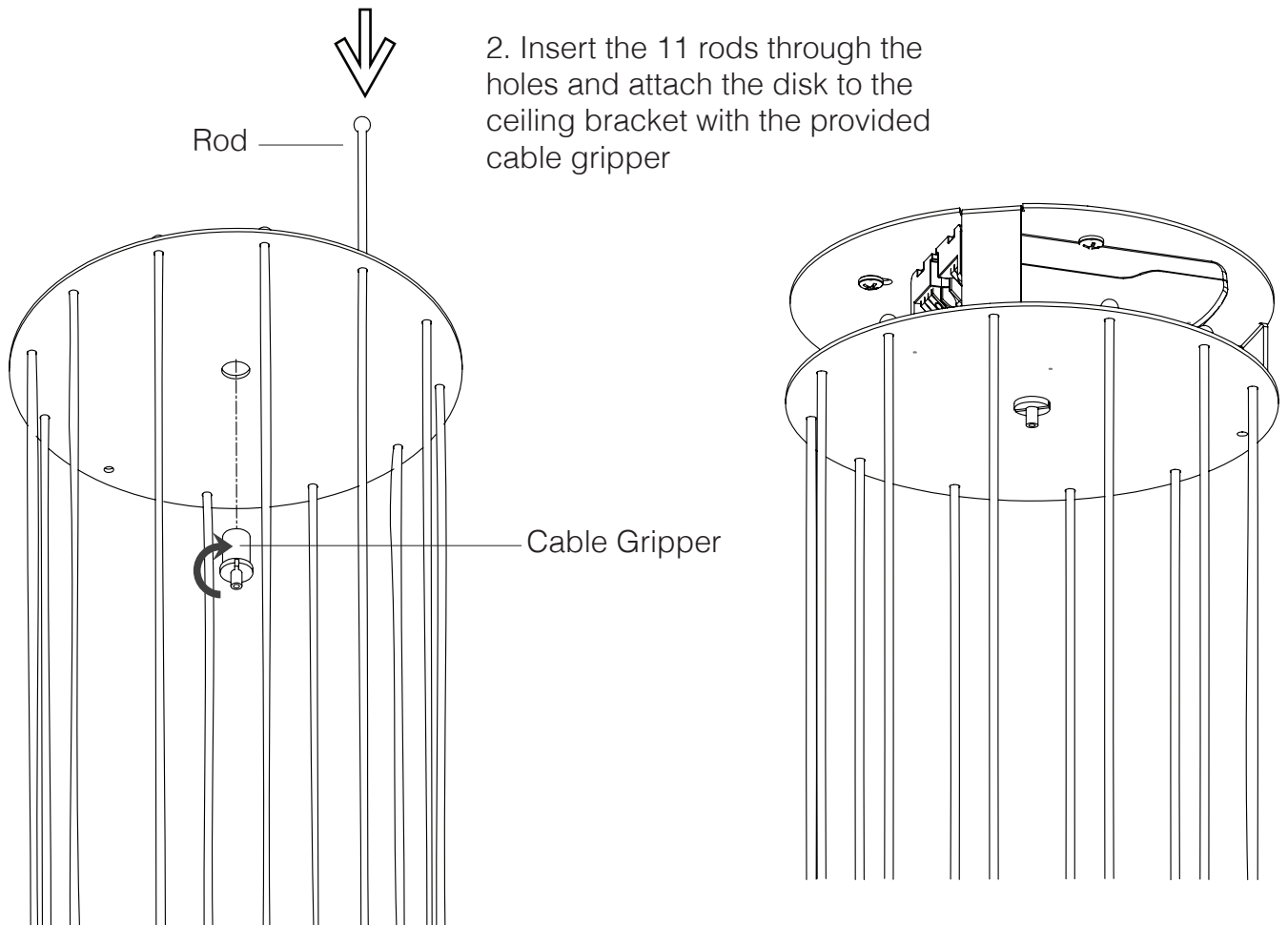
INSTALLATION SHEET

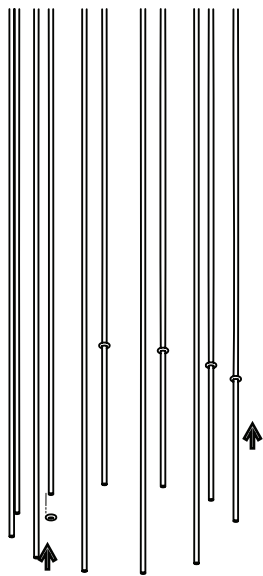
# FLOAT™

INSTALLATION SHEET

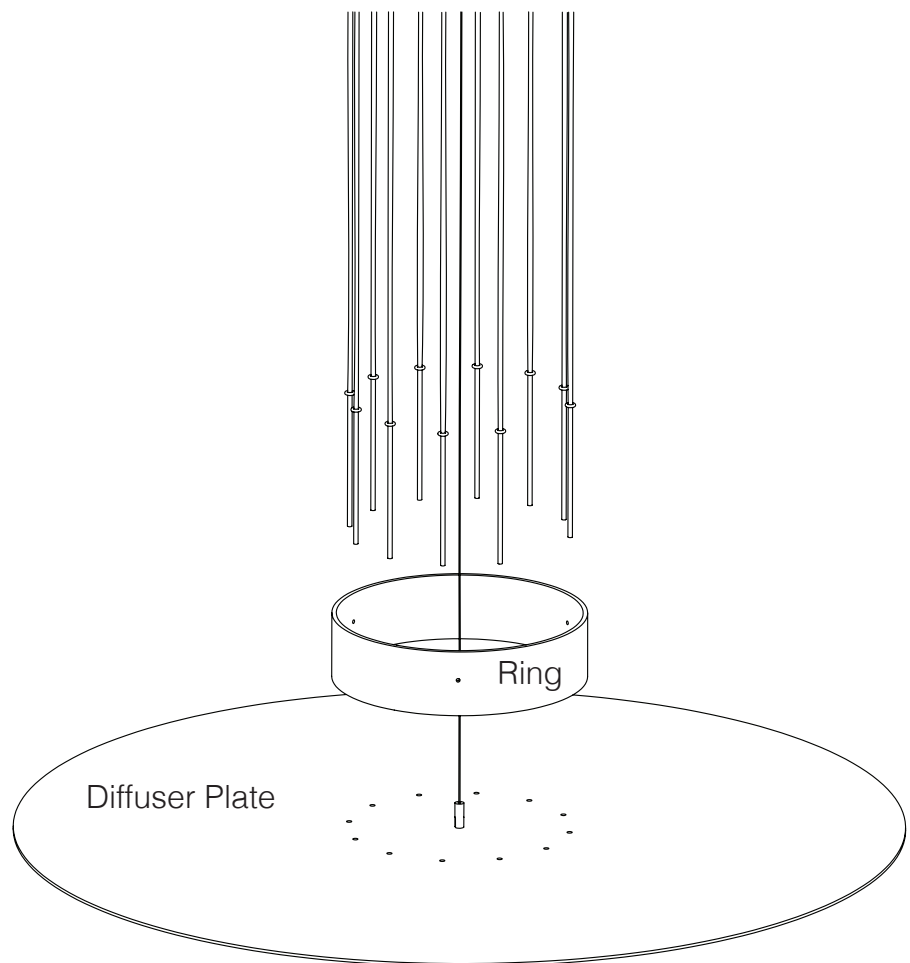
TYPE:

PROJECT NAME:

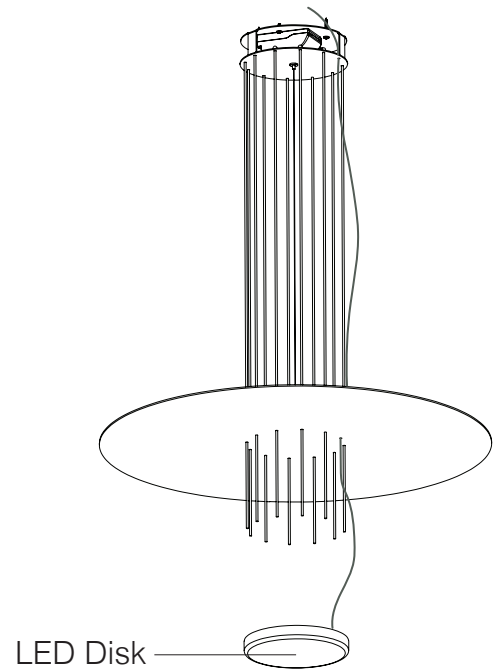
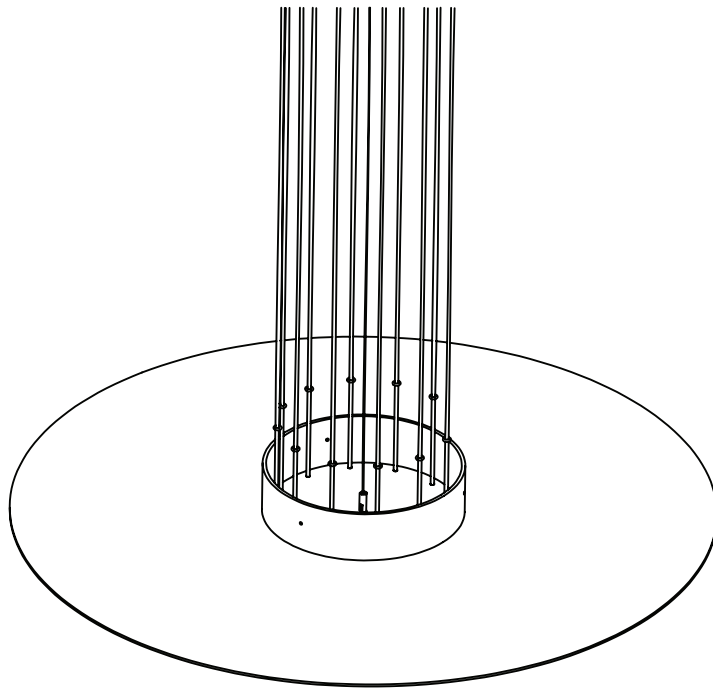




3. Place the o-rings over the rods and slide up



4. Pass the steel wire through the ring and insert the wire through the cable gripper. Adjust the length of the steel wire to adjust the height of the diffuser plate as desired.



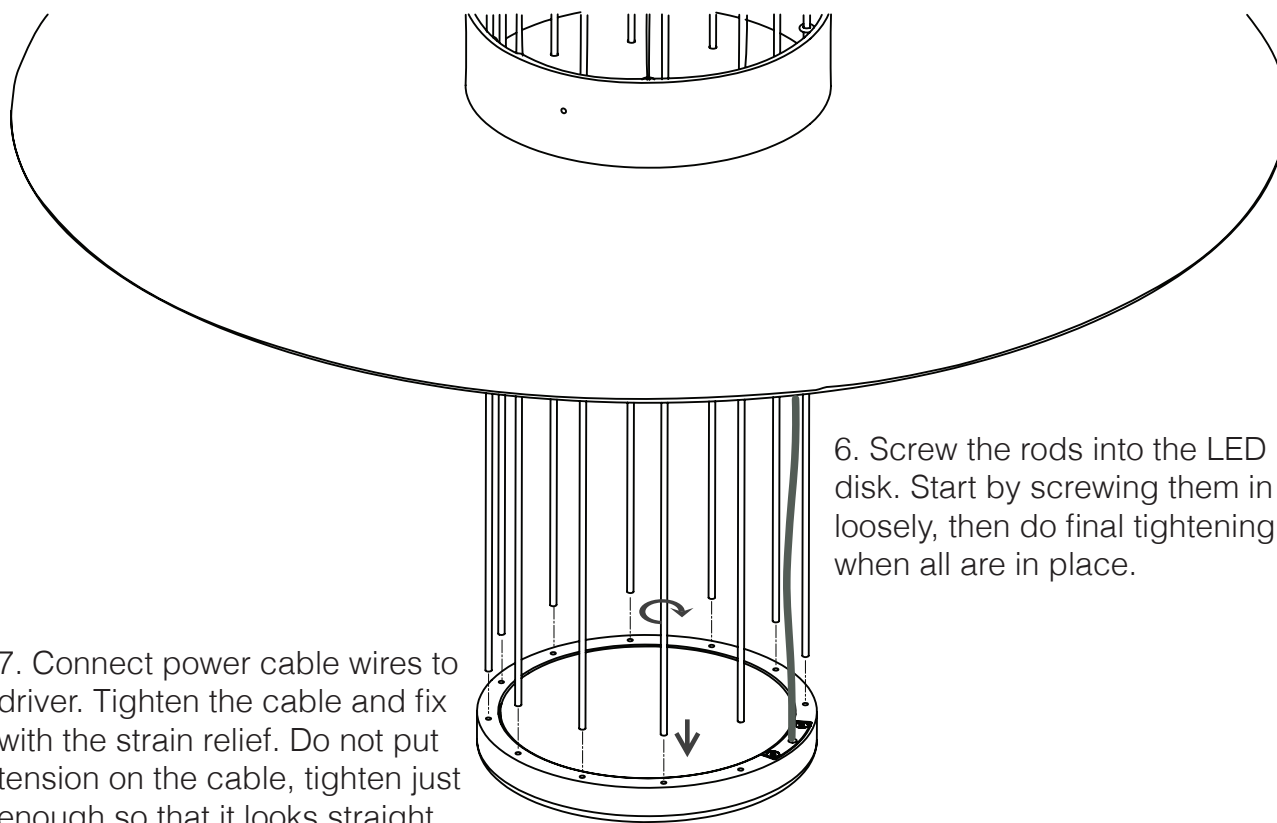
5. Raise the diffuser plate and thread the rods through the holes on the plate, then thread the power cable of the LED disk through the diffuser plate and through the canopy disk.

# FLOAT™

INSTALLATION SHEET

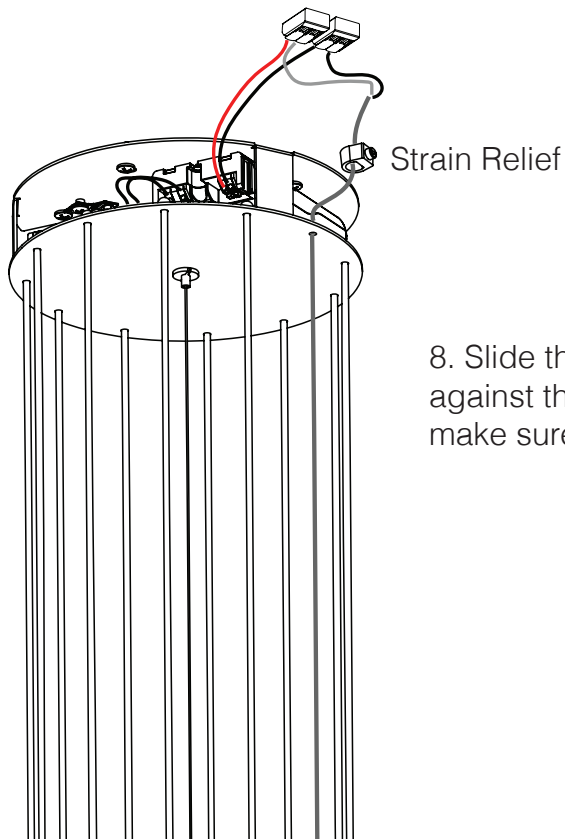
TYPE:

PROJECT NAME:

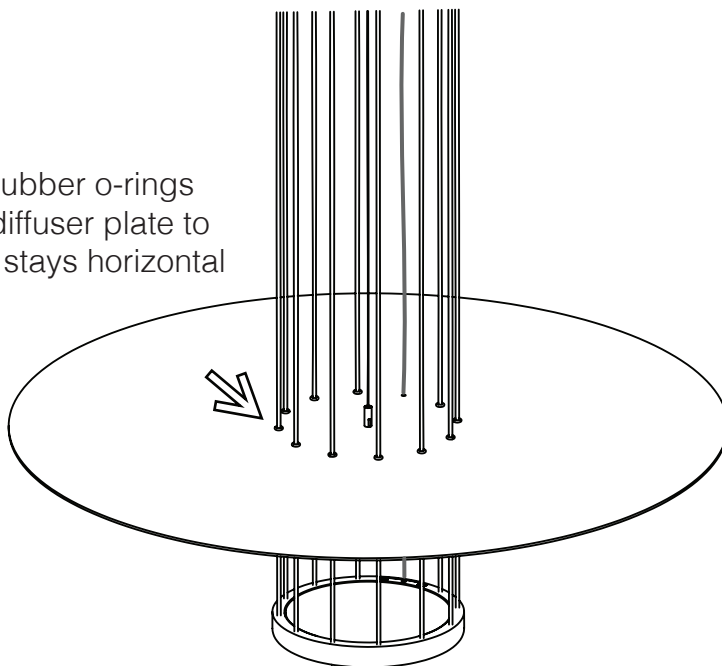


6. Screw the rods into the LED disk. Start by screwing them in loosely, then do final tightening when all are in place.

7. Connect power cable wires to driver. Tighten the cable and fix with the strain relief. Do not put tension on the cable, tighten just enough so that it looks straight.



8. Slide the rubber o-rings against the diffuser plate to make sure it stays horizontal



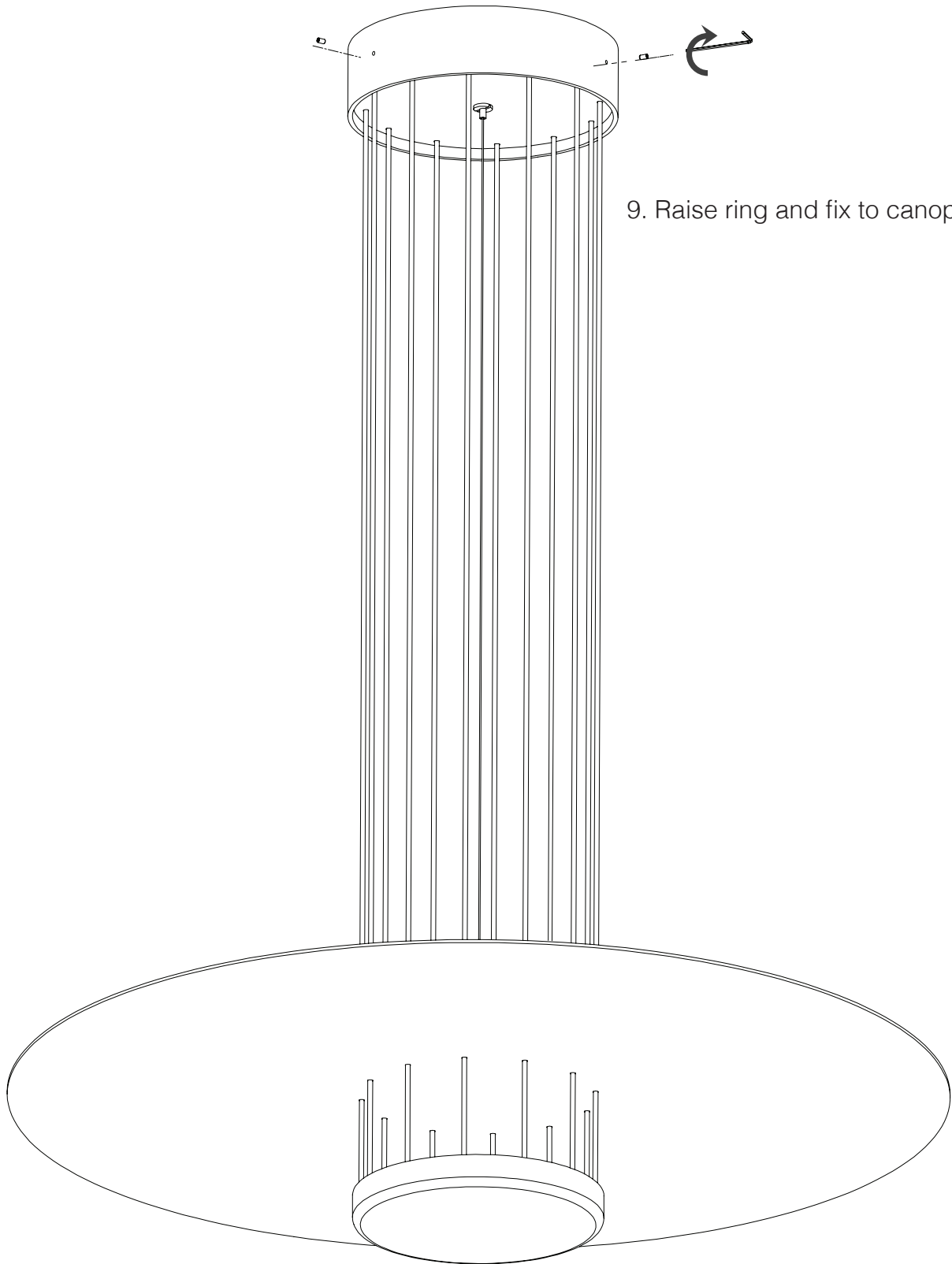
INSTALLATION SHEET

# FLOAT™

INSTALLATION SHEET

TYPE:

PROJECT NAME:



INSTALLATION SHEET