

Fig.1a

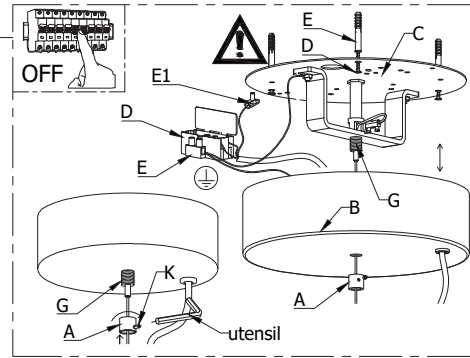


Fig.1

WIRING DIAGRAM
Double turning

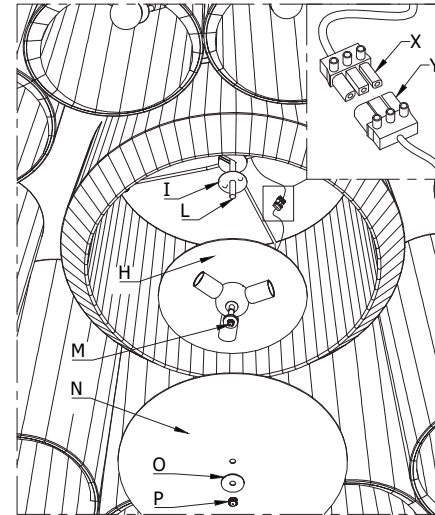
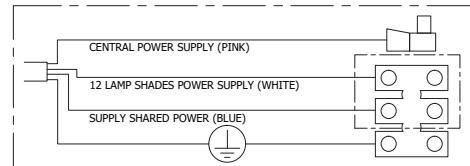


Fig.2

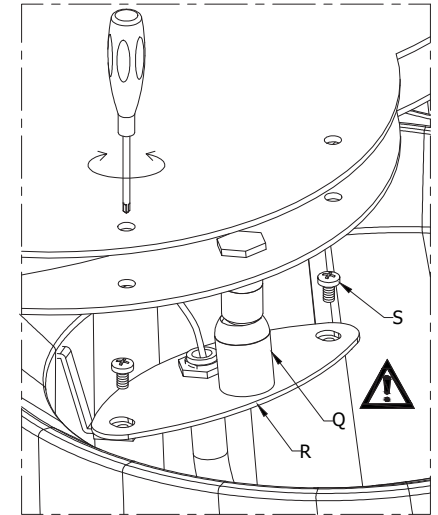


Fig.3

INSTRUCTION

- Switch off the power or pull the plug out.
- Unscrew the handle (A) and lower the canopy (B). Fix the bracket (C) with screw (D) and dowels (E) on the ceiling. (FIG.1)
- **Lift the lamp with the box** to avoid damaging the lampshades
- Adjust the length of the steel cable acting on regulating terminal security (G), push the part of the gripper so that the steel cable runs. (Fig.1)
- Connect the network cables at the clamp (E) and (E1), check the polarity as shows and close again the box (D) (Fig. 1).
- Tense the power cable paying attention to the regulation , it dosen't have to be too tensed.
- Place the canopy in the ceiling. Screw with care the particular (A), the block cable (G).(Fig.1).
- Screw the safety screw (K) (Fig.1).
- Fix the central lampshade inserting it in the threaded tube (L) and by screwing the washer (I) (Fig. 2).
- Screw the plate (H) to the threaded tube (L); don't force (Fig.2).
- Join the particular (X) with the particular (Y) (Fig.2).
- Fix the Plexiglass (N) by screwing the detail (P) and the washer (O) to the threaded tube (M) (Fig.2).
- Attached the included bulb to bulb socket.

REGULATION

- For a perfect positioning of the lampshades the lamp is provided with a joint (Q) (Fig. 3).
- To regulate the lampshade catch with the hand the plate (R) and move slightly until the right positioning (Fig. 3).
- **ATTENTION:** for the regulation act as before described, not move the lampshade from other points to not damage parts of the lampshade.

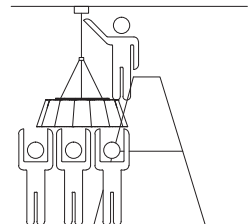
ATTENTION

The products of our production are suitable for the using in usual surroundings with standard temperature and humidity levels. All the operations have to be done by a technician.

CLEANING

Switch off the power or pull the plug out.
For the periodical cleaning of the lamp use always gloves and a soft cloth or a feather duster.
Don't use aggressive solvents or alcohol.

It's possible to remove completely the lampshades by unscrewing with a screwdriver the two screws (S) that join the lampshade to the structure.



4 installers

WEIGHT
Kg 35 / 77.09 lb