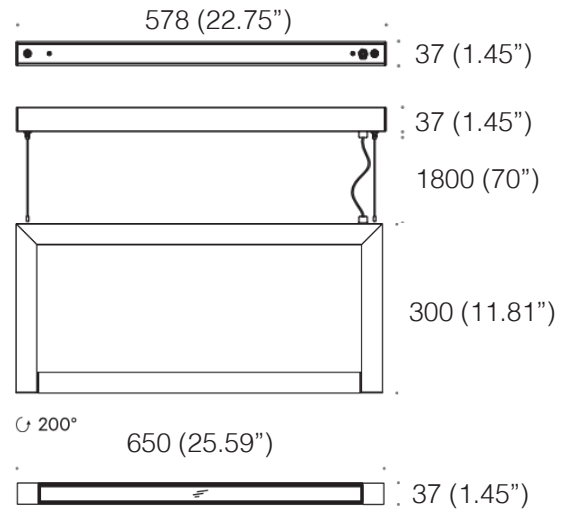
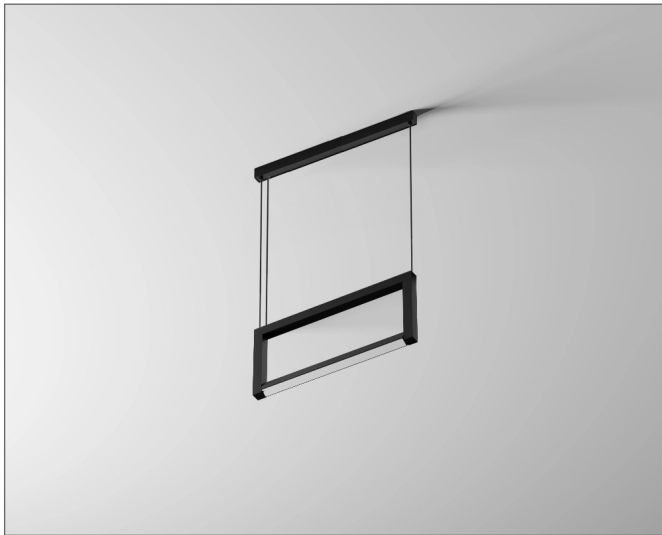


FMS+™ 3X6

SUSPENSION

TYPE:

PROJECT NAME:



FMS Plus features a movable lower lamp profile, providing the ability to change the direction of light or illuminate the ceiling. Soft light is ensured by a shade made of opal PMMA or microprismatic satin.

Color rendering: CRI 90

Materials: Aluminum body, polycarbonate

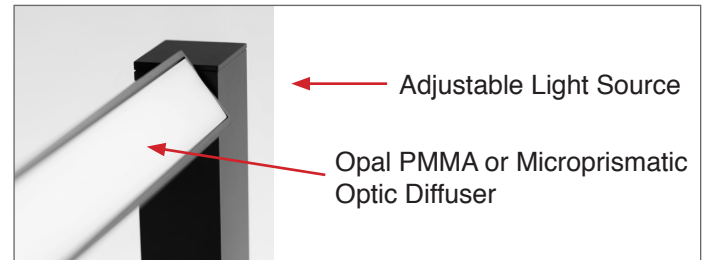
Ingress protection: IP20

Electrical: High efficiency electronic power supply, rated 50,000 hours 120V-277V

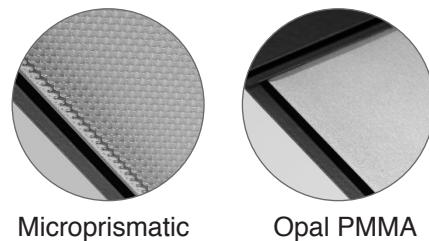
Input [W] 28W

Lum. flux of light source [lm]	Opal PMMA	1430 lm
	Microprismatic	1790 lm

Finish options:



Optic diffuser options:



SPECIFICATION SHEET

ORDERING INFO

L543.2139S

Model (Order Code)	Structure Finishes	Optic Diffuser Options	LED	Dimming Options
<input type="radio"/> L543.2139S 28W	<input type="radio"/> 12: Black <input type="radio"/> 13: White <input type="radio"/> 21: Terracotta <input type="radio"/> 22: Ocean Grey <input type="radio"/> 23: Dust <input type="radio"/> 80: Gold	<input type="radio"/> OP: Opal PMMA <input type="radio"/> MP: Microprismatic	<input type="radio"/> 27: 2700K <input type="radio"/> 30: 3000K <input type="radio"/> 40: 4000K	<input type="radio"/> 120V LTE Remote driver <input type="radio"/> 120V-277V 0-10V Remote driver <input type="radio"/> 120V LTE Integral driver <input type="radio"/> 120V-277V 0-10V Integral driver

Installation Note: Fixture with integral driver is installed to a 4x4" backplate.



Luminart®

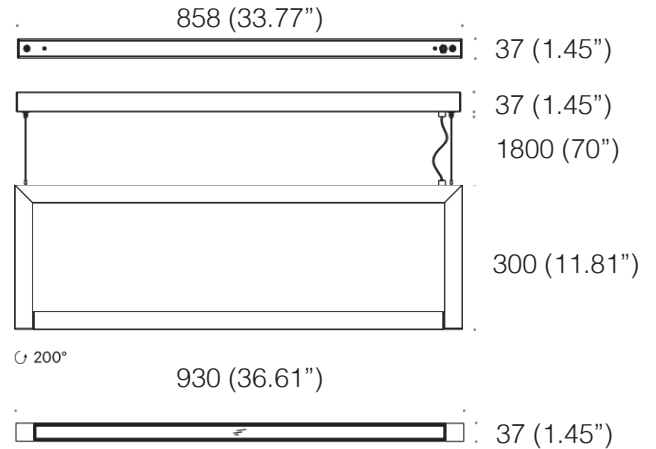
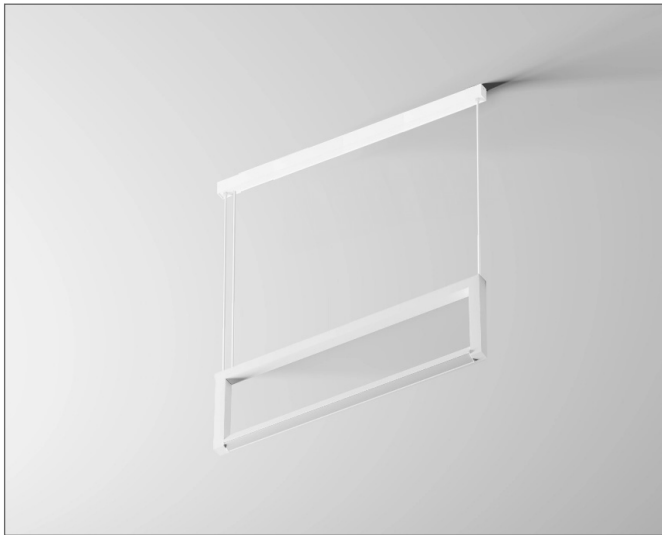
WWW.LUMINARTLIGHTING.COM
Last updated: 10/15/24

FMS+™ 3X9

SUSPENSION

TYPE:

PROJECT NAME:



FMS Plus features a movable lower lamp profile, providing the ability to change the direction of light or illuminate the ceiling. Soft light is ensured by a shade made of opal PMMA or microprismatic satin.

Color rendering: CRI 90

Materials: Aluminum body, polycarbonate

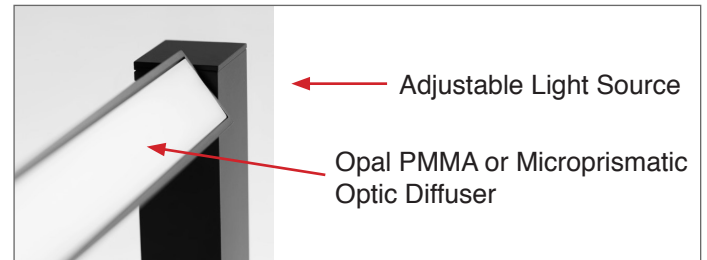
Ingress protection: IP20

Electrical: High efficiency electronic power supply, rated 50,000 hours 120V-277V

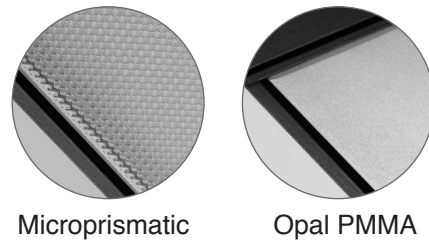
Input [W] 39W

Lum. flux of light source [lm]	Opal PMMA	2150 lm
	Microprismatic	2690 lm

Finish options:



Optic diffuser options:



SPECIFICATION SHEET

ORDERING INFO

L543.2141S

Model (Order Code)	Structure Finishes	Optic Diffuser Options	LED	Dimming Options
<input type="radio"/> L543.2141S 39W	<input type="radio"/> 12: Black <input type="radio"/> 13: White <input type="radio"/> 21: Terracotta <input type="radio"/> 22: Ocean Grey <input type="radio"/> 23: Dust <input type="radio"/> 80: Gold	<input type="radio"/> OP: Opal PMMA <input type="radio"/> MP: Microprismatic	<input type="radio"/> 27: 2700K <input type="radio"/> 30: 3000K <input type="radio"/> 40: 4000K	<input type="radio"/> 120V LTE Remote driver <input type="radio"/> 120V-277V 0-10V Remote driver <input type="radio"/> 120V LTE Integral driver <input type="radio"/> 120V-277V 0-10V Integral driver

Installation Note: Fixture with integral driver is installed to a 4x4" backplate.

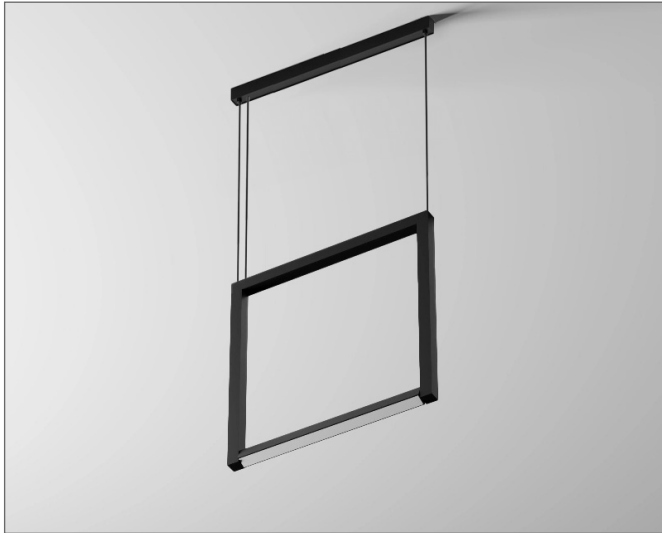


FMS+™ 6X6

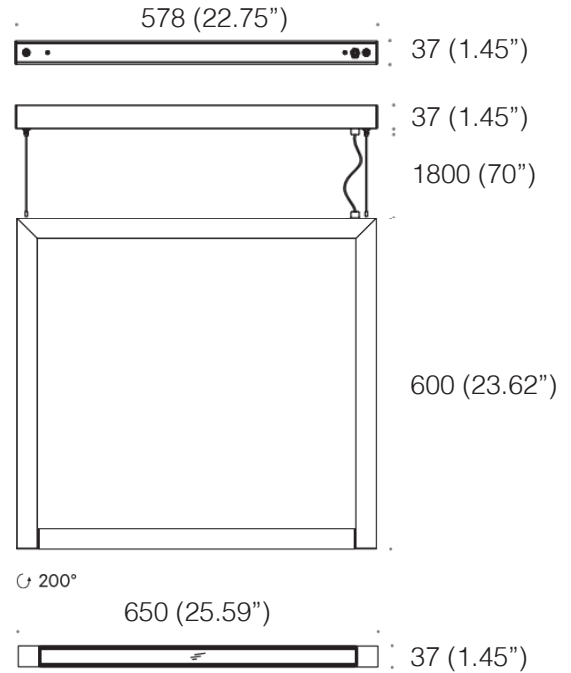
SUSPENSION

TYPE:

PROJECT NAME:



FMS Plus features a movable lower lamp profile, providing the ability to change the direction of light or illuminate the ceiling. Soft light is ensured by a shade made of opal PMMA or microprismatic satin.



Color rendering: CRI 90

Materials: Aluminum body, polycarbonate

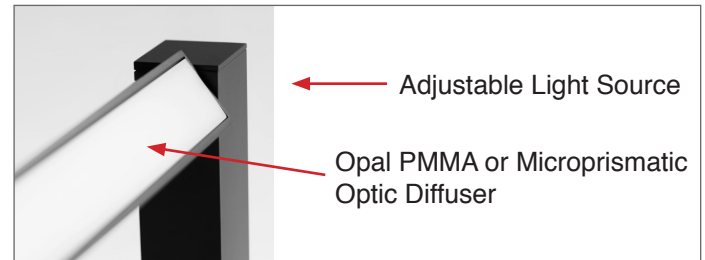
Ingress protection: IP20

Electrical: High efficiency electronic power supply, rated 50,000 hours 120V-277V

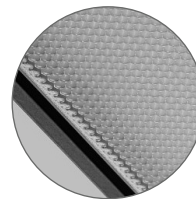
Input [W] 28W

Lum. flux of light source [lm]	Opal PMMA	1430 lm
	Microprismatic	1790 lm

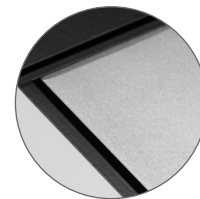
Finish options:



Optic diffuser options:



Microprismatic



Opal PMMA

SPECIFICATION SHEET

ORDERING INFO

L543.2143S

Model (Order Code)	Structure Finishes	Optic Diffuser Options	LED	Dimming Options
<input type="radio"/> L543.2143S 28W	<input type="radio"/> 12: Black <input type="radio"/> 13: White <input type="radio"/> 21: Terracotta <input type="radio"/> 22: Ocean Grey <input type="radio"/> 23: Dust <input type="radio"/> 80: Gold	<input type="radio"/> OP: Opal PMMA <input type="radio"/> MP: Microprismatic	<input type="radio"/> 27: 2700K <input type="radio"/> 30: 3000K <input type="radio"/> 40: 4000K	<input type="radio"/> 120V LTE Remote driver <input type="radio"/> 120V-277V 0-10V Remote driver <input type="radio"/> 120V LTE Integral driver <input type="radio"/> 120V-277V 0-10V Integral driver

Installation Note: Fixture with integral driver is installed to a 4x4" backplate.



FMS+™

SUSPENSION

TYPE:

PROJECT NAME:



SPECIFICATION SHEET

Luminart®

WWW.LUMINARTLIGHTING.COM
Last updated: 10/15/24