

FRISE™

SUSPENSION

TYPE:

PROJECT NAME:

Finish

Diffuser Textile



Velvet



Wool



Eco Friendly

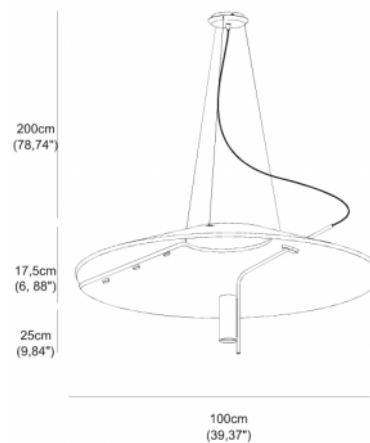
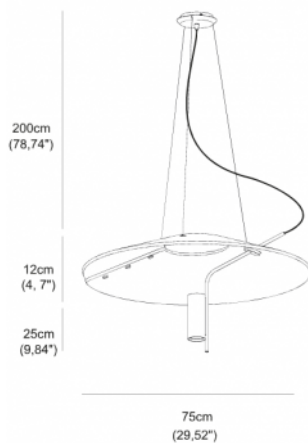
Fabric lampshade,
metal structure



IP20



Antiglare detail



SPECIFICATION SHEET

* on demand

** cable on measure

Pendant lamp D.75

ø 75 x 37 cm
7 Kg

lamp type 2xGU10
max watt 28W HES

L82FRIESO075001

Pendant lamp D.100

ø 100 x 43 cm
12 Kg

lamp type 2xGU10
max watt 28W HES

L82FRIESO100001

FRISE™

SUSPENSION

TYPE:

PROJECT NAME:



WOOL
70% wool
30% polyamide



Code 650

Sand

Code 652

Green



Code 660

Dark green



Code 661

Curry

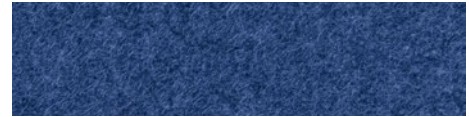


Code 659

Chestnut

Code 662

Turquoise

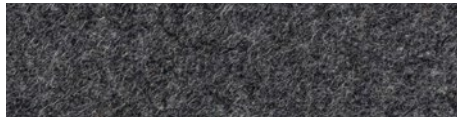


Code 658

Grey

Code 655

Avio blue

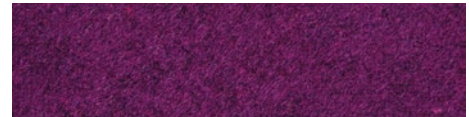


Code 656

Dark grey

Code 654

Purple

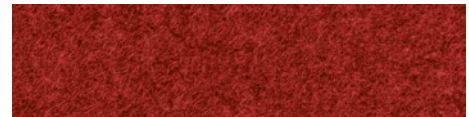


Code 651

Orange

Code 657

Cardinal red



Code 653

Mustard yellow

SPECIFICATION SHEET

FRISE™

SUSPENSION

TYPE:

PROJECT NAME:



VELVET
100% polyester

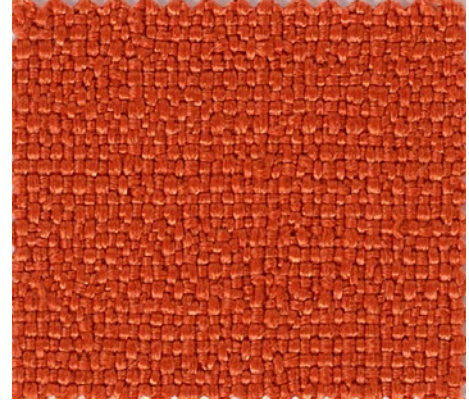


ECO FRIENDLY
100% recycled post-consumer plastic
100% biodegradable by imNativ®



Code 455
Cream

Code 752
Rust

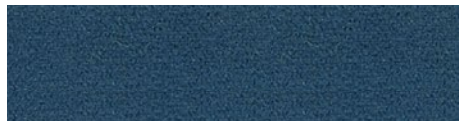


Code 456
Dove



Code 457
Mustard

Code 750
Ivory



Code 458
Cornflower

Code 751
Sage



Code 459
Sherwood

Code 753
Sugar paper



Code 460
Rust

Code 754
Dark grey



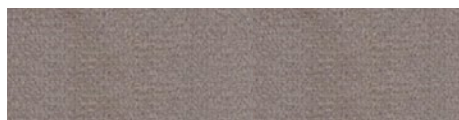
Code 461
Purple red

Code 755
Hazel



Code 462
Ocean blue

Code 756
Ocher



Code 463
Light grey

Code 757
Olive green



Code 464
Anthracite

SPECIFICATION SHEET