

GRID™ GLOBE CC

MODULAR CEILING SYSTEM

TYPE:

PROJECT NAME:



GRID GLOBE

Grid is an innovative modular surface mounted ceiling system. A very small composition or an infinite network of profiles can be placed from a single electrical connection and provide light wherever required. The strikingly graphic configurations form sculptures discretely and stylishly integrated into the architecture of each space. Grid Globe features LED opal globes for a diffused light without glare.



SPECIFICATION SHEET

Luminart®

WWW.LUMINARTLIGHTING.COM

GRID™ GLOBE CC

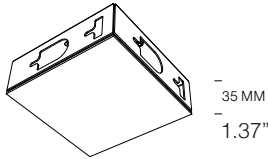
MODULAR CEILING SYSTEM

TYPE:

PROJECT NAME:

BASE WITH DRIVER

4.52" 4.52"
115 MM 115 MM



WATTAGE MAX. 4 SPOTS 4W

ORDER CODE

BLACK ANODIZED	L30T108C1DZL
WHITE PAINTED	L30T108C1DWL

Order one Base for every 4 lights.

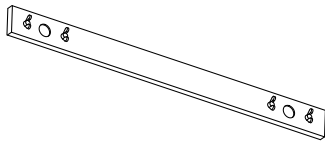
Bases can be connected with connector pieces shown below.

Grid and Grid Globe use the same base and connectors,

so compositions can be made with both spot and globe lights.

See page 5 for composition examples.

GRID CONNECTION PIECE 50CM

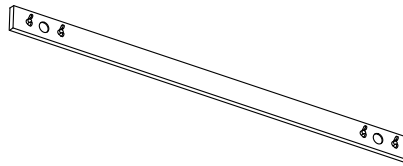


500 MM
19.68"

ORDER CODE

BLACK ANODIZED	L30T108P7DZL
WHITE PAINTED	L30T108P7DWL

GRID CONNECTION PIECE 75CM

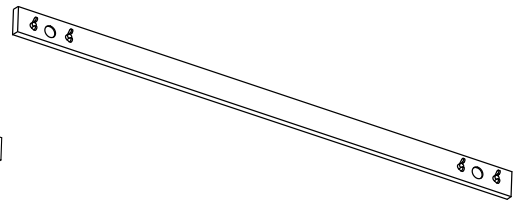


750 MM
29.52"

ORDER CODE

BLACK ANODIZED	L30T108P8DZL
WHITE PAINTED	L30T108P8DWL

GRID CONNECTION PIECE 100CM



1000 MM
39.37"

ORDER CODE

BLACK ANODIZED	L30T108P9DZL
WHITE PAINTED	L30T108P9DWL

SPECIFICATION SHEET

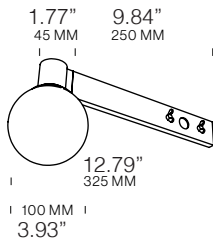
GRID™ GLOBE CC

MODULAR CEILING SYSTEM

TYPE:

PROJECT NAME:

GRID ARM 1 WITH 1 GLOBE

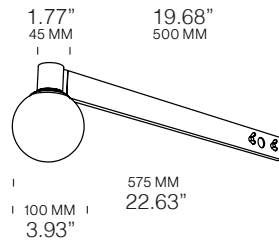


LAMP TYPE	LED
COLOUR TEMP.	2700K
WATTAGE	4W
LUMEN	400

ORDER CODE

BLACK ANODIZED	L30T108SP1DZL
WHITE PAINTED	L30T108SP1DWL

GRID ARM 2 WITH 1 GLOBE

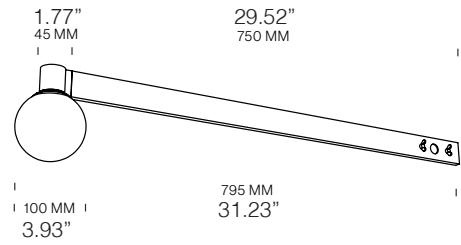


LAMP TYPE	LED
COLOUR TEMP.	2700K
WATTAGE	4W
LUMEN	400

ORDER CODE

BLACK ANODIZED	L30T108SP2DZL
WHITE PAINTED	L30T108SP2DWL

GRID ARM 3 WITH 1 GLOBE

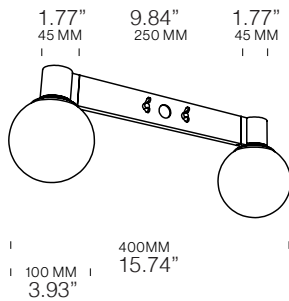


LAMP TYPE	LED
COLOUR TEMP.	2700K
WATTAGE	4W
LUMEN	400

ORDER CODE

BLACK ANODIZED	L30T108SP3DZL
WHITE PAINTED	L30T108SP3DWL

GRID ARM 1 WITH 2 GLOBES

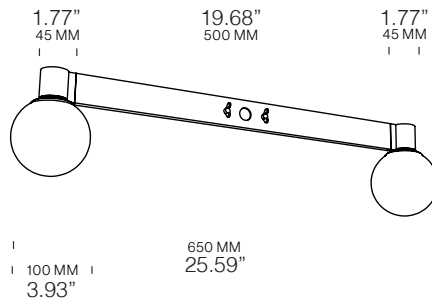


LAMP TYPE	LED
COLOUR TEMP.	2700K
WATTAGE	2x4W
LUMEN	2x400

ORDER CODE

BLACK ANODIZED	L30T108SP4DZL
WHITE PAINTED	L30T108SP4DWL

GRID ARM 2 WITH 2 GLOBES

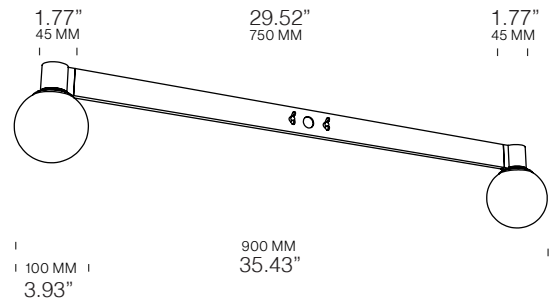


LAMP TYPE	LED
COLOUR TEMP.	2700K
WATTAGE	2x4W
LUMEN	2x400

ORDER CODE

BLACK ANODIZED	L30T108SP5DZL
WHITE PAINTED	L30T108SP5DWL

GRID ARM 3 WITH 2 GLOBES



LAMP TYPE	LED
COLOUR TEMP.	2700K
WATTAGE	2x4W
LUMEN	2x400

ORDER CODE

BLACK ANODIZED	L30T108SP6DZL
WHITE PAINTED	L30T108SP6DWL

SPECIFICATION SHEET

GRID™ GLOBE CC

MODULAR CEILING SYSTEM

TYPE:

PROJECT NAME:

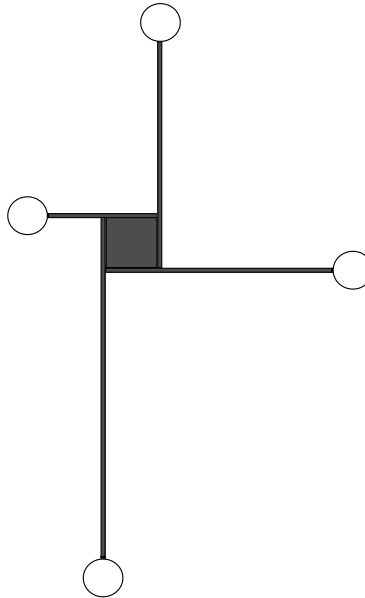
EXAMPLES - HOW TO ORDER



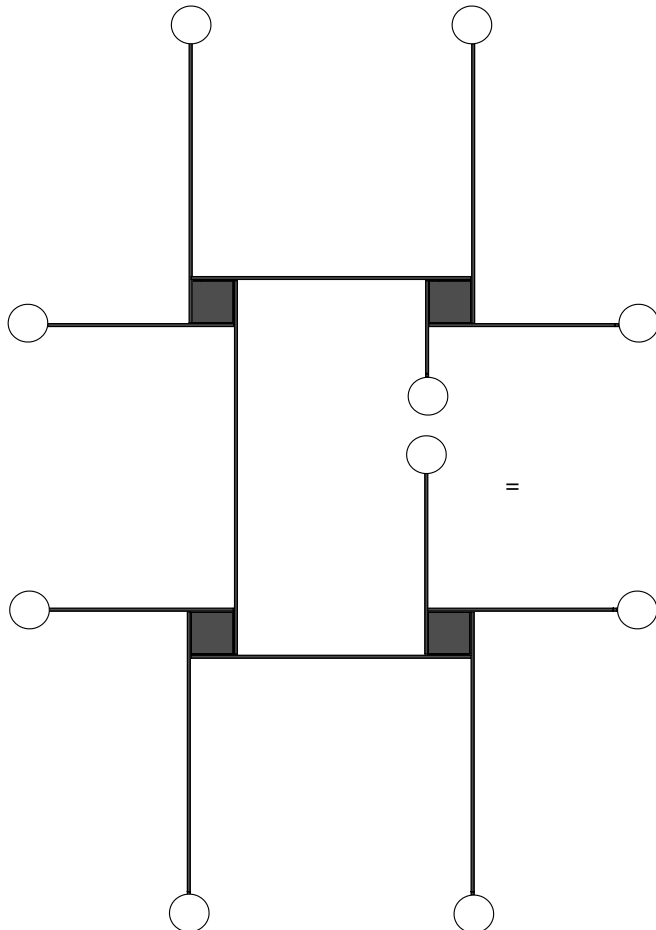
=

2x L30T108SP6D
1x L30T108C1D

1x L30T108SP1D
2x L30T108SP2D
1x L30T108SP3D
1x L30T108C1D



=



=

4x L30T108SP3D
5x L30T108SP2D
1x L30T108SP1D
2x L30T08P8D
1x L30T108P9D
4x L30T108C1D

SPECIFICATION SHEET

GRID™ GLOBE G9

MODULAR CEILING SYSTEM

TYPE:

PROJECT NAME:



GRID GLOBE

Grid is an innovative modular surface mounted ceiling system. A very small composition or an infinite network of profiles can be placed from a single electrical connection and provide light wherever required. The strikingly graphic configurations form sculptures discretely and stylishly integrated into the architecture of each space. Grid Globe features LED opal globes for a diffused light without glare.



SPECIFICATION SHEET

Luminart®

WWW.LUMINARTLIGHTING.COM

GRID™ GLOBE G9

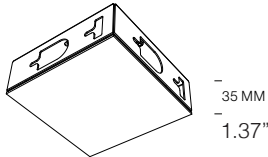
MODULAR CEILING SYSTEM

TYPE:

PROJECT NAME:

BASE WITH DRIVER

4.52" 4.52"
115 MM 115 MM



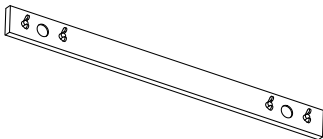
WATTAGE MAX. 4 SPOTS 5W

ORDER CODE

BLACK ANODIZED	L30G9JBXB
WHITE PAINTED	L30G9JBXW

Order one Base for every 4 lights.
Bases can be connected with connector pieces shown below.
Grid and Grid Globe use the same base and connectors,
so compositions can be made with both spot and globe lights.
See page 5 for composition examples.

GRID CONNECTION PIECE 50CM

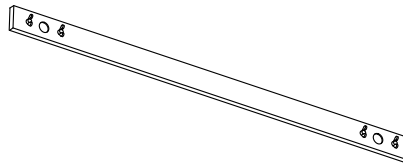


500 MM
19.68"

ORDER CODE

BLACK ANODIZED	L30T108P7DZL
WHITE PAINTED	L30T108P7DWL

GRID CONNECTION PIECE 75CM

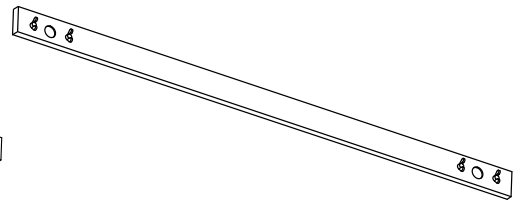


750 MM
29.52"

ORDER CODE

BLACK ANODIZED	L30T108P8DZL
WHITE PAINTED	L30T108P8DWL

GRID CONNECTION PIECE 100CM



1000 MM
39.37"

ORDER CODE

BLACK ANODIZED	L30T108P9DZL
WHITE PAINTED	L30T108P9DWL

SPECIFICATION SHEET

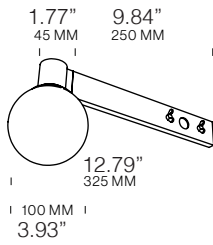
GRID™ GLOBE G9

MODULAR CEILING SYSTEM

TYPE:

PROJECT NAME:

GRID ARM 1 WITH 1 GLOBE

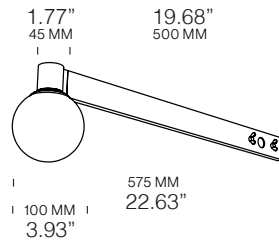


LAMP TYPE	LED
COLOUR TEMP.	2700K
WATTAGE	G9 5W
LUMEN	400

ORDER CODE

BLACK ANODIZED	L30T108SP1HZL
WHITE PAINTED	L30T108SP1HWL

GRID ARM 2 WITH 1 GLOBE

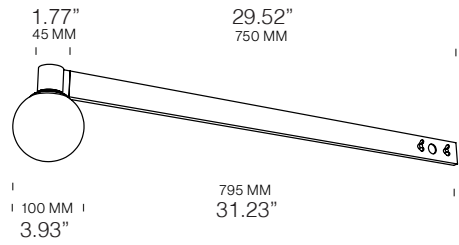


LAMP TYPE	LED
COLOUR TEMP.	2700K
WATTAGE	G9 5W
LUMEN	400

ORDER CODE

BLACK ANODIZED	L30T108SP2HZL
WHITE PAINTED	L30T108SP2HWL

GRID ARM 3 WITH 1 GLOBE

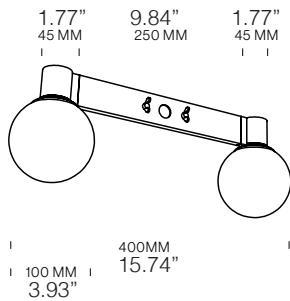


LAMP TYPE	LED
COLOUR TEMP.	2700K
WATTAGE	G9 5W
LUMEN	400

ORDER CODE

BLACK ANODIZED	L30T108SP3HZL
WHITE PAINTED	L30T108SP3HWL

GRID ARM 1 WITH 2 GLOBES

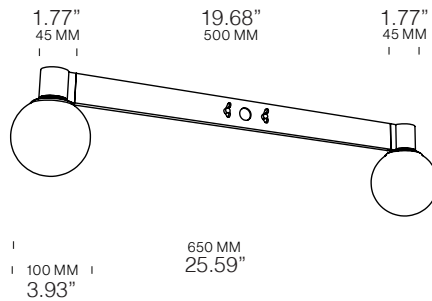


LAMP TYPE	LED
COLOUR TEMP.	2700K
WATTAGE	2xG9 5W
LUMEN	2x400

ORDER CODE

BLACK ANODIZED	L30T108SP4HZL
WHITE PAINTED	L30T108SP4HWL

GRID ARM 2 WITH 2 GLOBES

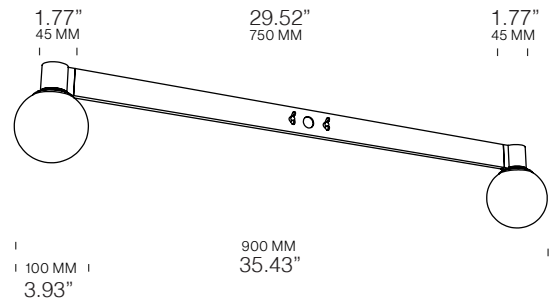


LAMP TYPE	LED
COLOUR TEMP.	2700K
WATTAGE	2xG9 5W
LUMEN	2x400

ORDER CODE

BLACK ANODIZED	L30T108SP5HZL
WHITE PAINTED	L30T108SP5HWL

GRID ARM 3 WITH 2 GLOBES



LAMP TYPE	LED
COLOUR TEMP.	2700K
WATTAGE	2xG9 5W
LUMEN	2x400

ORDER CODE

BLACK ANODIZED	L30T108SP6HZL
WHITE PAINTED	L30T108SP6HWL

SPECIFICATION SHEET

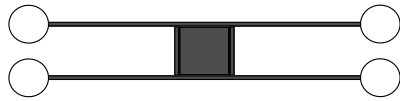
GRID™ GLOBE G9

MODULAR CEILING SYSTEM

TYPE:

PROJECT NAME:

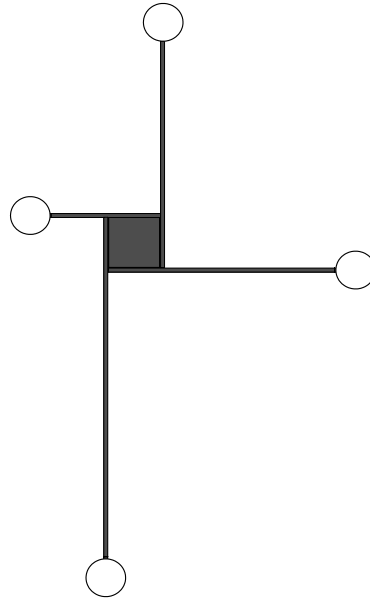
EXAMPLES - HOW TO ORDER



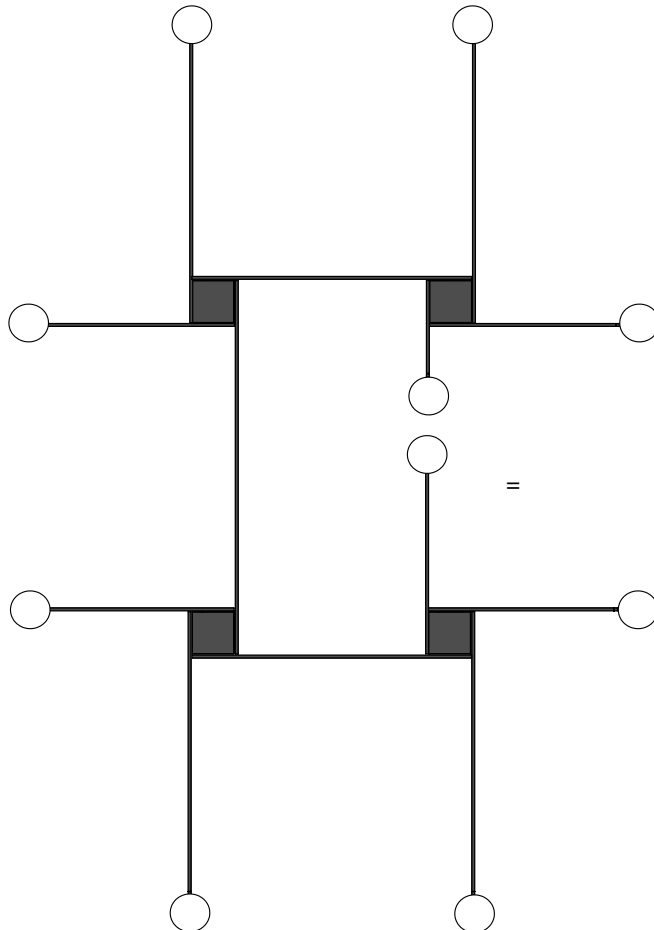
=

2x L30T108SH6D
1x L30T108C1D

1x L30T108SH1D
2x L30T108SH2D
1x L30T108SH3D
1x L30T108C1D



=



=

4x L30T108SH3D
5x L30T108SH2D
1x L30T108SH1D
2x L30T08P8D
1x L30T108P9D
4x L30T108C1D

SPECIFICATION SHEET