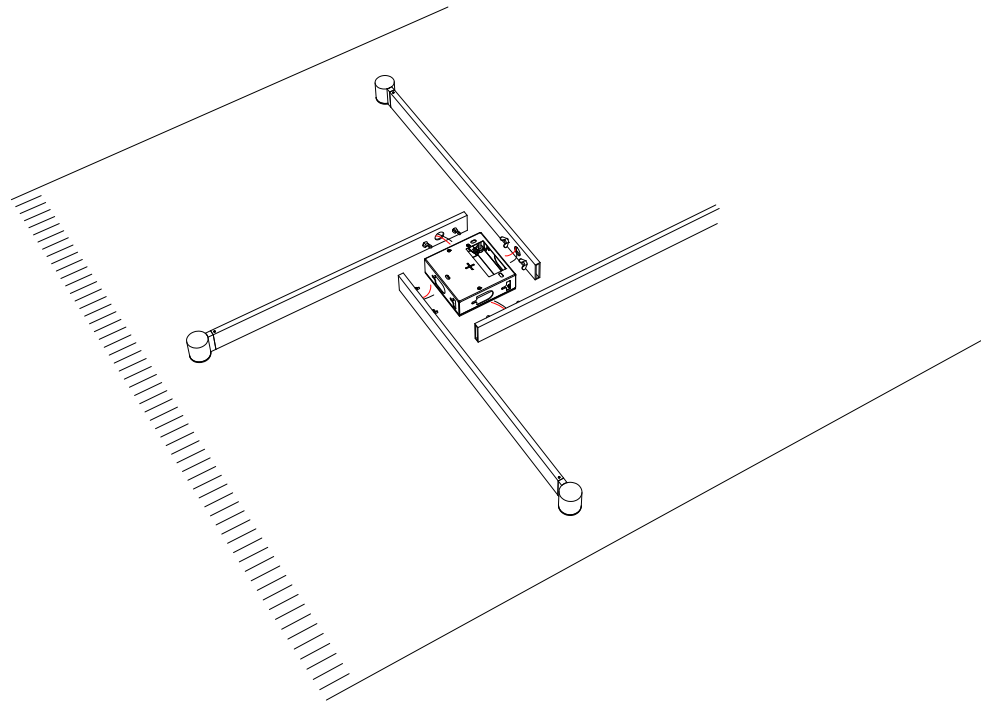


GRID™/GRID GLOBE™

INSTALLATION INSTRUCTIONS

TYPE:

PROJECT NAME:



unbox the components and place them on a soft surface.
Lay out the desired configuration (LED facing down) on the
ground before starting the installation on the ceiling.
* grid globe: do not attach the globes to the profile yet.

Small configurations (single box) can be pre-assembled on
the soft surface.

INSTALLATION SHEET

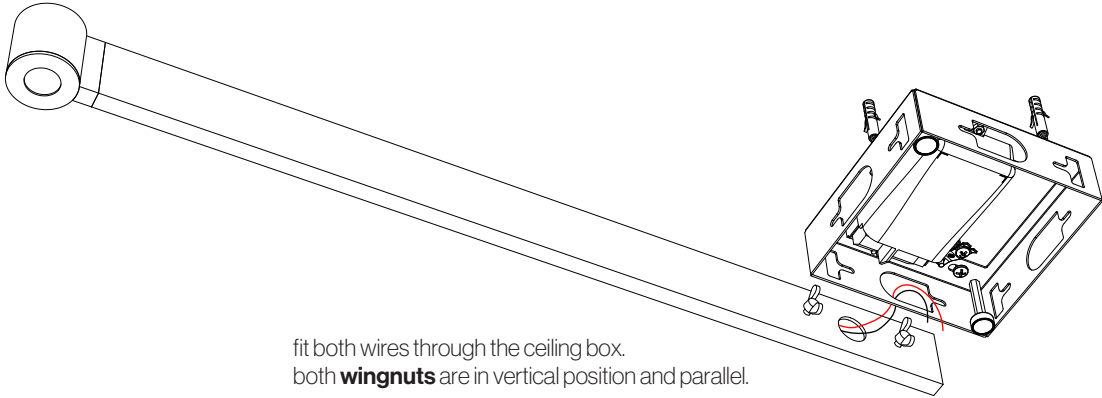
GRID™/GRID GLOBE™

INSTALLATION INSTRUCTIONS

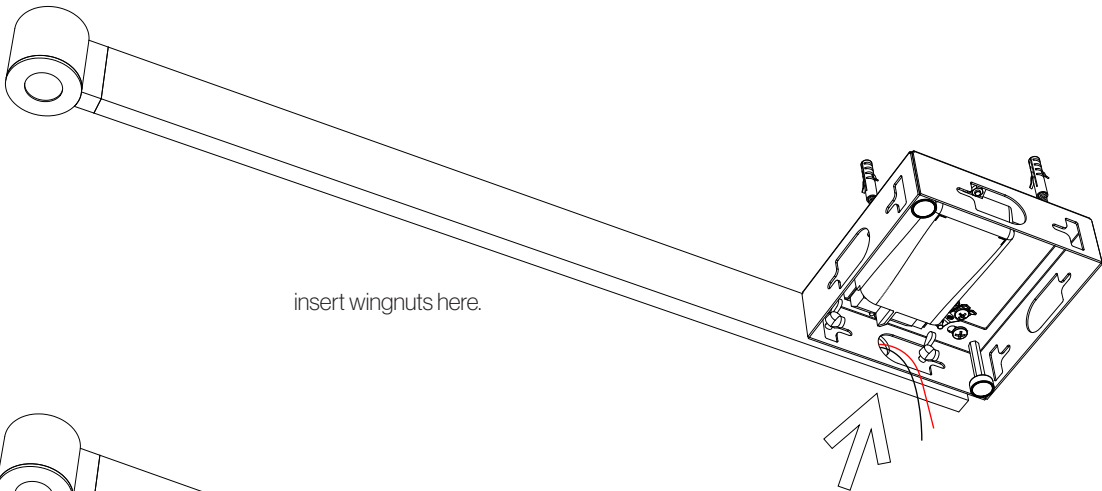
TYPE:

PROJECT NAME:

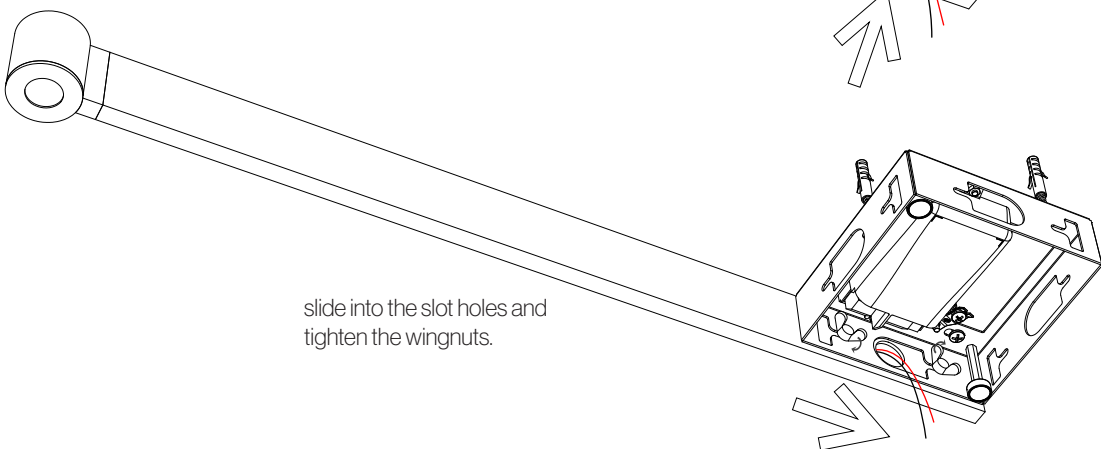
attach arm to box:



insert wingnuts here.



slide into the slot holes and
tighten the wingnuts.

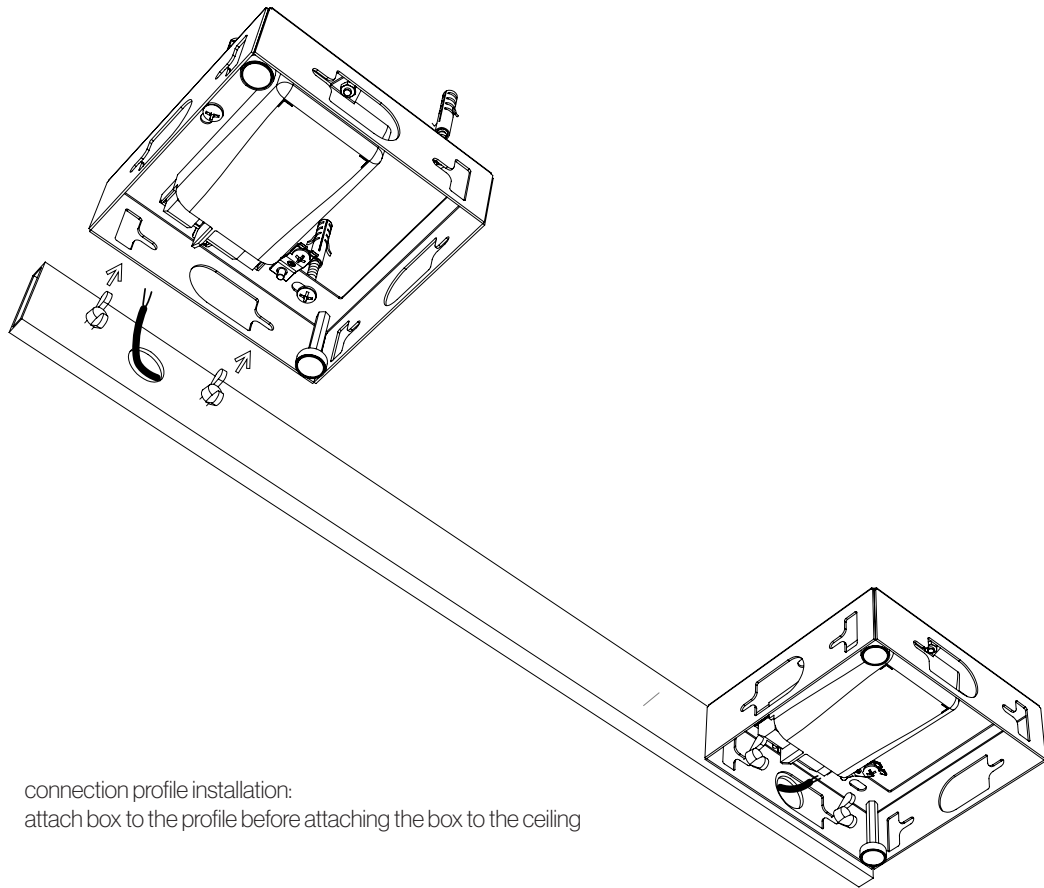


GRID™/GRID GLOBE™

INSTALLATION INSTRUCTIONS

TYPE:

PROJECT NAME:



connection profile installation:
attach box to the profile before attaching the box to the ceiling

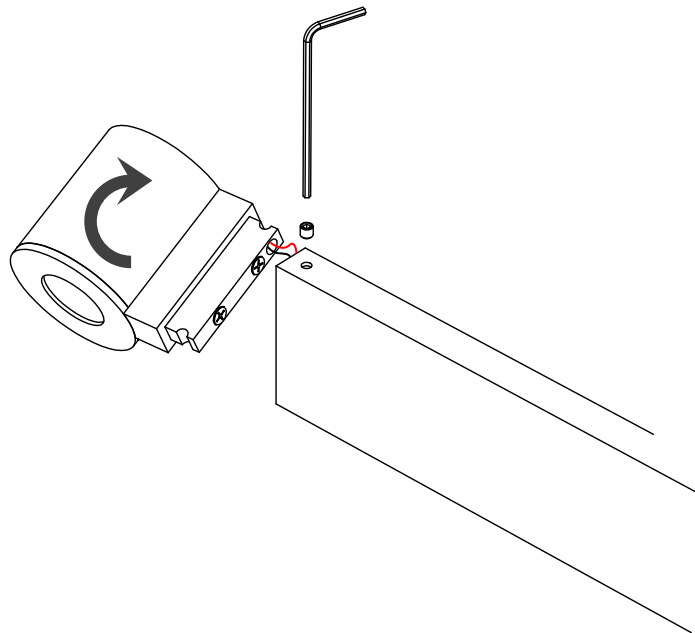
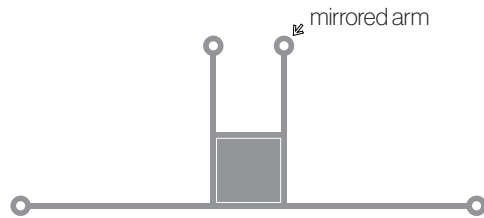
GRID™/GRID GLOBE™

INSTALLATION INSTRUCTIONS

TYPE:

PROJECT NAME:

when a "mirrored arm" is needed the LED can be turned by unscrewing the set screw.
example:



INSTALLATION SHEET

GRID™/GRID GLOBE™

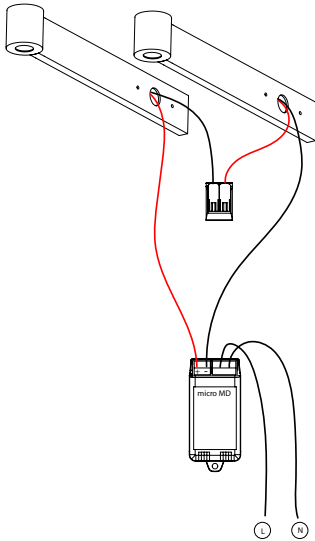
INSTALLATION INSTRUCTIONS

TYPE:

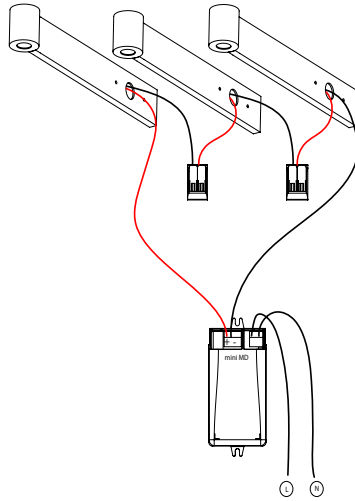
PROJECT NAME:

ELECTRICAL CONNECTION: SERIAL

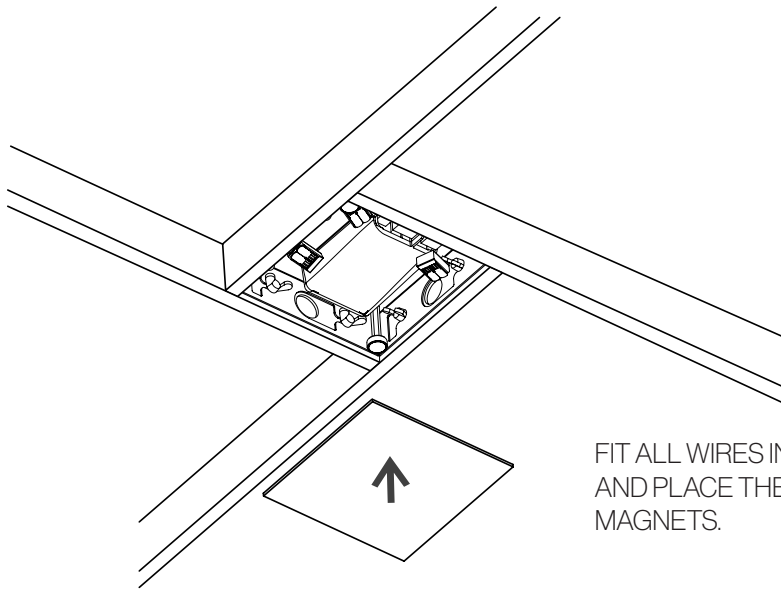
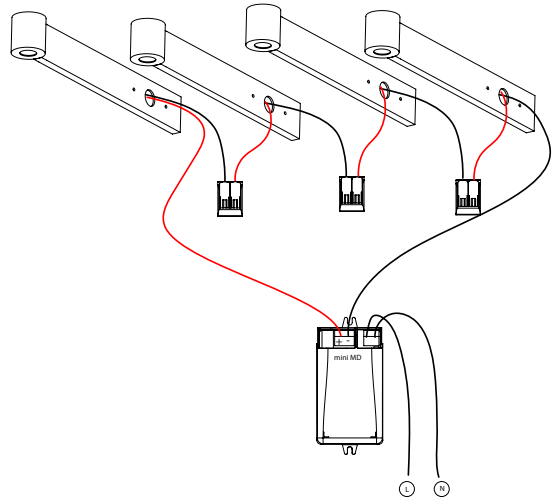
connecting 2 arms to the driver



connecting 3 arms to the driver



connecting 4 arms to the driver



FIT ALL WIRES IN THE DRIVERBOX
AND PLACE THE COVER ON THE
MAGNETS.