

HALO™

SUSPENSION

TYPE:

PROJECT NAME:



SPECIFICATION SHEET

HALO™ S700

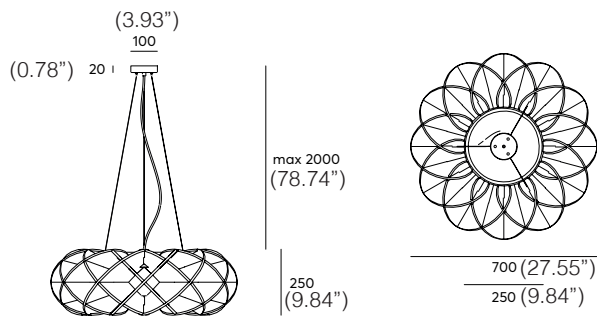
SUSPENSION

TYPE:

PROJECT NAME:



Measurements:



Material:

PET Felt (polyethylene terephthalate)

Fixture:

2m (78.74") black textile cable
3 black metal wires with adjustable griplock
Black ceiling cap

Acoustic properties:



1,64 m² of acoustic absorption
material of aw 0,45

Total weight gross | net:

4,8kg | 3,3kg

SPECIFICATION SHEET

ORDERING INFO

Model (Order Code)

L77HALO S700

Acoustic Finish Options

See Acoustic Finish Options on Next Page

LED

- 27: 2700K
- 30: 3000K
- 40: 4000K

Dimming Options

- 120V LTE
- 120-277V 0-10V
(Universal Voltage)



Luminart®

WWW.LUMINARTLIGHTING.COM

HALO™ S700

SUSPENSION

TYPE:

PROJECT NAME:

Colors:



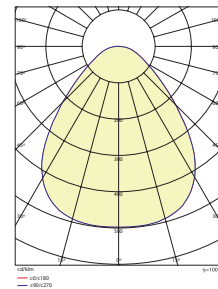
Light source specifications:



LED power: 17W
 Luminous Flux: 1850lm
 Frequency: 47-63Hz
 Power factor: 109lm/W
 Optics | Beam of light: Acrylic Opal Prism | 70% LT
 CRI: Ra >80
 UGR: <22
 Operating temperature: -20 ~ +45

Photometrics:

Lumen intensity distribution



Acoustic specifications:

The acoustic design principle.

Halo is made to catch sound from the environment. Due to its open waffle structure, soundwaves will enter the acoustic body and are almost completely absorbed by the repeating acoustic PET Felt slats.

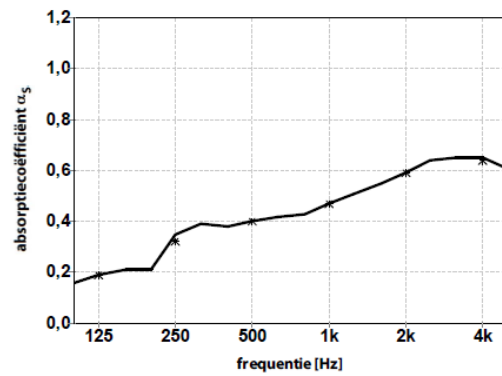
The LED element and acrylic diffuser, will reflect the sound

Calculated acoustic surface area: 1,64 m²

aw (ISO 11654) = 0,45

SAA (ASTM - C423) = 0,45

Measurement of 9mm free hanging PET Felt
 sound absorption calculation in a reverberation room



	0,16	0,21	0,38	0,43	0,55	0,65
1/3 oct.	0,19	0,35	0,40	0,47	0,59	0,65
	0,21	0,39	0,42	0,51	0,64	0,61
1/1 oct.	0,19	0,32	0,40	0,47	0,59	0,64

SPECIFICATION SHEET

HALO™ M1000

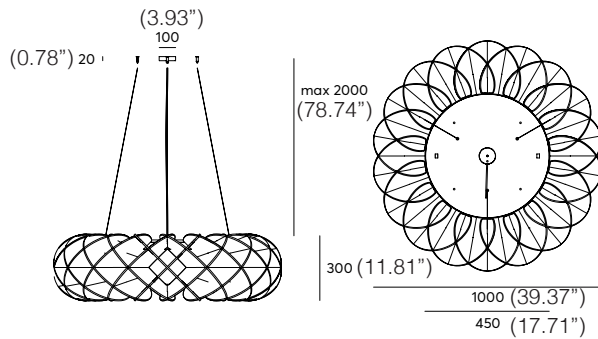
SUSPENSION

TYPE:

PROJECT NAME:



Measurements:



Material:

PET Felt (polyethylene terephthalate)

Fixture:

2m (78.74") black textile cable
3 black metal wires with adjustable griplock
Black ceiling cap

Acoustic properties:



3,3 m² of acoustic absorption material of aw 0,45

Total weight gross | net:

11kg | 9,5kg

SPECIFICATION SHEET

ORDERING INFO

Model (Order Code)

L77HALO M1000

Acoustic Finish Options

See Acoustic Finish Options on Next Page

LED

- 27: 2700K
- 30: 3000K
- 40: 4000K

Dimming Options

- 120V LTE
- 120-277V 0-10V
(Universal Voltage)



Luminart®

WWW.LUMINARTLIGHTING.COM

HALO™ M1000

SUSPENSION

TYPE:

PROJECT NAME:

Colors:



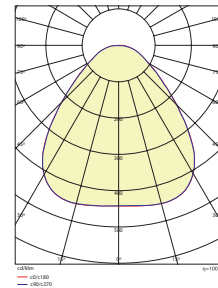
Light source specifications:



LED power: 36W
 Luminous Flux: 3560lm
 Frequency: 47-63Hz
 Power factor: 99lm/W
 Optics | Beam of light: Acrylic Opal Prism | 70% LT
 CRI: Ra >80
 UGR: <22
 Operating temperature: -20 ~ +45

Photometrics:

Lumen intensity distribution



Acoustic specifications:

The acoustic design principle.

Halo is made to catch sound from the environment. Due to its open waffle structure, soundwaves will enter the acoustic body and are almost completely absorbed by the repeating acoustic PET Felt slats.

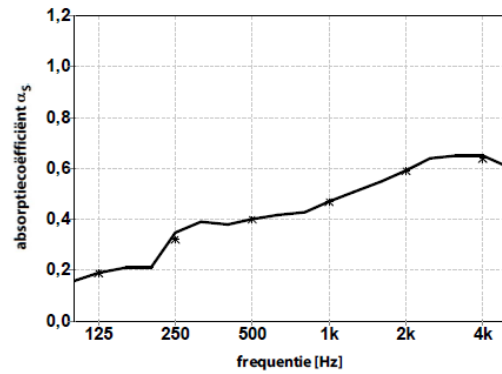
The LED element and acrylic diffusor, will reflect the sound

Calculated acoustic surface area: 3,3 m²

aw (ISO 11654) = 0,45

SAA (ASTM - C423) = 0,45

Measurement of 9mm free hanging PET Felt
 sound absorption calculation in a reverberation room



	0,16	0,21	0,38	0,43	0,55	0,65
1/3 oct.	0,19	0,35	0,40	0,47	0,59	0,65
	0,21	0,39	0,42	0,51	0,64	0,61
1/1 oct.	0,19	0,32	0,40	0,47	0,59	0,64

SPECIFICATION SHEET

HALO™ L1400

SUSPENSION

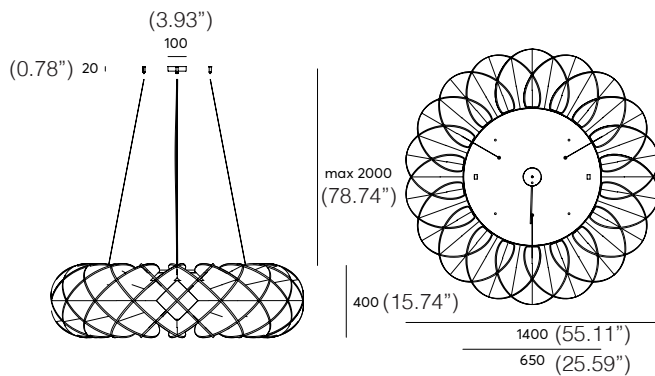
TYPE:

PROJECT NAME:



Halo light 1400

Measurements:



Material:

PET Felt (polyethylene terephthalate)

Fixture:

2m (78.74") black textile cable
 3 black metal wires with adjustable griplock
 Black ceiling cap

Acoustic properties:



6,28 m² of acoustic absorption material of aw 0,45

Total weight gross | net:

22,8kg | 19,6kg

SPECIFICATION SHEET

ORDERING INFO

Model (Order Code)	Acoustic Finish Options	LED	Dimming Options
<input type="radio"/> L77HALO L1400	<input type="radio"/> See Acoustic Finish Options on Next Page	<input type="radio"/> 27: 2700K <input type="radio"/> 30: 3000K <input type="radio"/> 40: 4000K	<input type="radio"/> 120V LTE <input type="radio"/> 120-277V 0-10V (Universal Voltage)



HALO™ L1400

SUSPENSION

TYPE:

PROJECT NAME:

Colors:



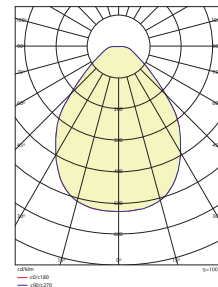
Light source specifications:



LED power: 64W
 Luminous Flux: 6870lm
 Frequency: 50/60Hz
 Power factor: 107lm/W
 Optics | Beam of light: Acrylic Opal Prism 70% LT
 CRI: Ra>80
 UGR: <19
 Operating temperature: -20 ~ +45

Photometrics:

Lumen intensity distribution



Acoustic specifications:

The acoustic design principle.

Halo is made to catch sound from the environment. Due to its open waffle structure, soundwaves will enter the acoustic body and are almost completely absorbed by the repeating acoustic PET Felt slats.

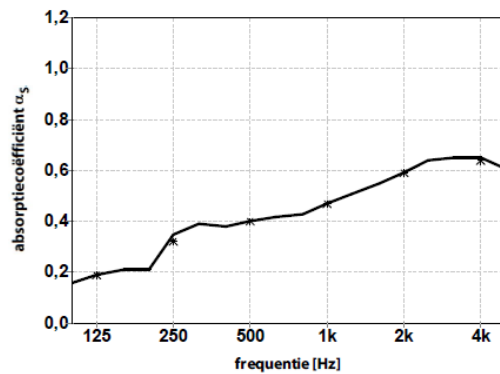
The LED element and acrylic diffusor, will reflect the sound

Calculated acoustic surface area: 6,28 m²

aw (ISO 11654) = 0,45

SAA (ASTM - C423) = 0,45

Measurement of 9mm free hanging PET Felt sound absorption calculation in a reverberation room



	125	250	500	1k	2k	4k
	0,16	0,21	0,38	0,43	0,55	0,65
1/3 oct.	0,19	0,35	0,40	0,47	0,59	0,65
	0,21	0,39	0,42	0,51	0,64	0,61
1/1 oct.	0,19	0,32	0,40	0,47	0,59	0,64

SPECIFICATION SHEET