

IANUS™ URBAN

POLE

TYPE:

PROJECT NAME:



SPECIFICATION SHEET

Luminart®

WWW.LUMINARTLIGHTING.COM

IANUS™ URBAN

POLE

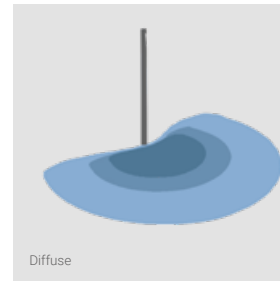
TYPE:

PROJECT NAME:

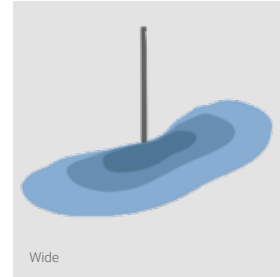


Structure

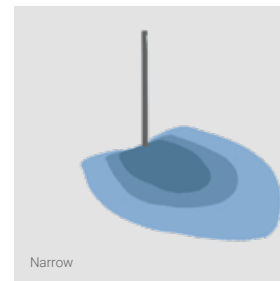
- Lighting body Ø 120mm (4.72") in low-copper grade die-cast aluminum coupled in continuity with extruded aluminum pole
- Recessed light source with dedicated lenses
- Photo-etched lenticular polycarbonate diffuser
- Color matching side locking stainless steel screws



Diffuse



Wide



Narrow

Urban lighting

To meet the needs of urban lighting and larger residential contexts, IANUS URBAN combines high-performance LEDs with special lenses and optics to obtain the best result - wide diffusion and asymmetric light beams are available.

Watertight wiring through the supplied cable that powers the integrated driver. Further M16 entry for additional wiring, positioned in the lower part of the closing cap in technopolymer.



Solidity of installation

Combined with the pole, IANUS URBAN in single- and double-sided solutions allows solid ways of installation with a focus on the aesthetic result, thanks to the buriable pole mounting or to the surface mounting with base.

SPECIFICATION SHEET

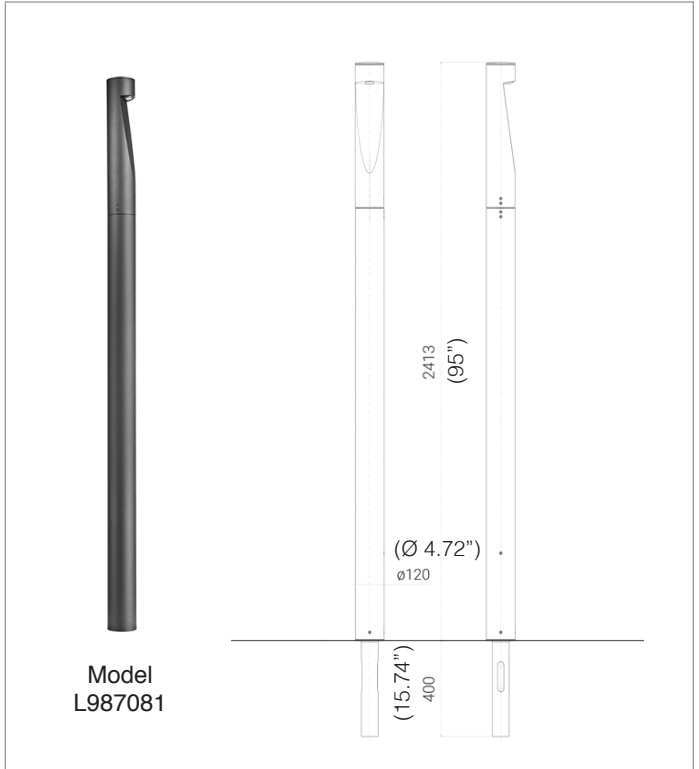
IANUS™ URBAN MONO TYPE:

POLE - BURIABLE

PROJECT NAME:



Urban lighting pole. Lighting body Ø 120mm (4.72") in low-copper grade die-cast aluminum coupled in continuity with extruded aluminum pole.



Model L987081

Power input: 16W

Light emission direction: Direct

Optics Options:
Diffuse (code + D) / asymmetric wide (code + W) / asymmetric narrow (code + N)

Materials: Aluminum structure

Electrical: High efficiency electronic power supply, rated 50,000 hours 120V-277V

Dimming: Power supply compatible with 0-10V or LTE dimming

Structure finish: Anthracite, Aluminum Grey



Light source: LED
3000K: 80CRI
4000K: 80CRI

Source lumens: 1952 lm

Lumen Output: 934 lm

SPECIFICATION SHEET

ORDERING INFO

Model (Order Code)	Structure Finish	Optics Options	LED	Dimming Options
<input type="radio"/> L987081	<input type="radio"/> A: Anthracite <input type="radio"/> AG: Aluminum Grey	<input type="radio"/> D: Diffuse <input type="radio"/> W: Asymmetric Wide <input type="radio"/> N: Asymmetric Narrow	<input type="radio"/> 3000K <input type="radio"/> 4000K	<input type="radio"/> 120V LTE <input type="radio"/> 120V 0-10V <input type="radio"/> 277V 0-10V



IANUS™ URBAN BI

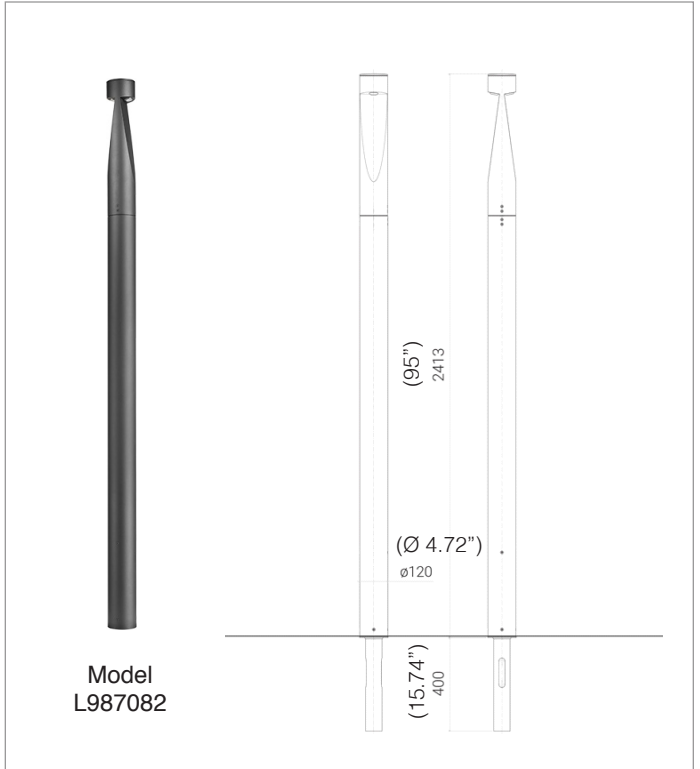
POLE - BURIABLE

TYPE:

PROJECT NAME:



Urban lighting pole. Lighting body Ø 120mm (4.72") in low-copper grade die-cast aluminum coupled in continuity with extruded aluminum pole.



Model
L987082

Power input: 32W

Light emission direction: Direct

Optics Options:
Diffuse (code + D) / asymmetric wide (code + W) / asymmetric narrow (code + N)

Materials: Aluminum structure

Electrical: High efficiency electronic power supply, rated 50,000 hours 120V-277V

Dimming: Power supply compatible with 0-10V or LTE dimming

Structure finish: Anthracite, Aluminum Grey



Light source: LED
3000K: 80CRI
4000K: 80CRI

Source lumens: 3904 lm

Lumen Output: 1868 lm

SPECIFICATION SHEET

ORDERING INFO

Model (Order Code)	Structure Finish	Optics Options	LED	Dimming Options
<input type="radio"/> L987082	<input type="radio"/> A: Anthracite <input type="radio"/> AG: Aluminum Grey	<input type="radio"/> D: Diffuse <input type="radio"/> W: Asymmetric Wide <input type="radio"/> N: Asymmetric Narrow	<input type="radio"/> 3000K <input type="radio"/> 4000K	<input type="radio"/> 120V LTE <input type="radio"/> 120V 0-10V <input type="radio"/> 277V 0-10V



IANUS™ URBAN MONO TYPE:

POLE - WITH BASE

PROJECT NAME:



Urban lighting pole. Lighting body Ø 120mm (4.72") in low-copper grade die-cast aluminum coupled in continuity with extruded aluminum pole. Anchoring set needed.



Model
L987083

Power input: 16W

Light emission direction: Direct

Optics Options:
Diffuse (code + D) / asymmetric wide (code + W) /
asymmetric narrow (code + N)

Materials: Aluminum structure

Electrical: High efficiency electronic power supply, rated
50,000 hours 120V-277V

Dimming: Power supply compatible with 0-10V or LTE
dimming

Structure finish: Anthracite, Aluminum Grey



Light source: LED
3000K: 80CRI
4000K: 80CRI

Source lumens: 1952 lm

Lumen Output: 934 lm

SPECIFICATION SHEET

ORDERING INFO

Model (Order Code)	Structure Finish	Optics Options	Mounting	LED	Dimming Options
<input type="radio"/> L987083	<input type="radio"/> A: Anthracite <input type="radio"/> AG: Aluminum Grey	<input type="radio"/> D: Diffuse <input type="radio"/> W: Asymmetric Wide <input type="radio"/> N: Asymmetric Narrow	<input type="radio"/> Anchoring Set #5527	<input type="radio"/> 3000K <input type="radio"/> 4000K	<input type="radio"/> 120V LTE <input type="radio"/> 120V 0-10V <input type="radio"/> 277V 0-10V



*See pole mounting options on the last page.

IANUS™ URBAN BI

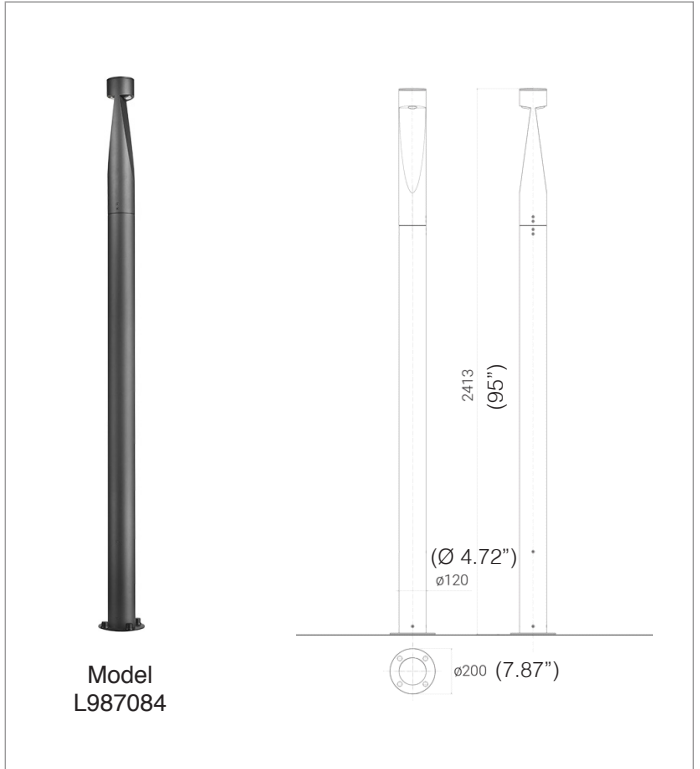
POLE - WITH BASE

TYPE:

PROJECT NAME:



Urban lighting pole. Lighting body Ø 120mm (4.72") in low-copper grade die-cast aluminum coupled in continuity with extruded aluminum pole. Anchoring set needed.



Power input: 32W

Light emission direction: Direct

Optics Options:

Diffuse (code + D) / asymmetric wide (code + W) / asymmetric narrow (code + N)

Materials: Aluminum structure

Electrical: High efficiency electronic power supply, rated 50,000 hours 120V-277V

Dimming: Power supply compatible with 0-10V or LTE dimming

Structure finish: Anthracite, Aluminum Grey



Light source: LED

3000K: 80CRI
4000K: 80CRI

Source lumens: 3940 lm

Lumen Output: 1868 lm

SPECIFICATION SHEET

ORDERING INFO

Model (Order Code)	Structure Finish	Optics Options	Mounting	LED	Dimming Options
<input type="radio"/> L987084	<input type="radio"/> A: Anthracite <input type="radio"/> AG: Aluminum Grey	<input type="radio"/> D: Diffuse <input type="radio"/> W: Asymmetric Wide <input type="radio"/> N: Asymmetric Narrow	<input type="radio"/> Anchoring Set #5527	<input type="radio"/> 3000K <input type="radio"/> 4000K	<input type="radio"/> 120V LTE <input type="radio"/> 120V 0-10V <input type="radio"/> 277V 0-10V



*See pole mounting options on the last page.

IANUS™ URBAN

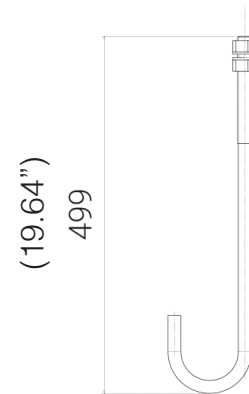
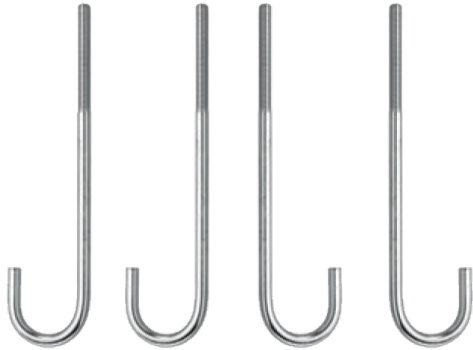
ACCESSORIES - ANCHORING SET

TYPE:

PROJECT NAME:

Anchoring set

CODE NO. 5527



4 steel ground anchors

To be installed with IANUS URBAN codes 7083-7084

SPECIFICATION SHEET