

ICARO™

OUTDOOR SUSPENSION

TYPE:

PROJECT NAME:

Finish

Structure



White



Black



Bronze

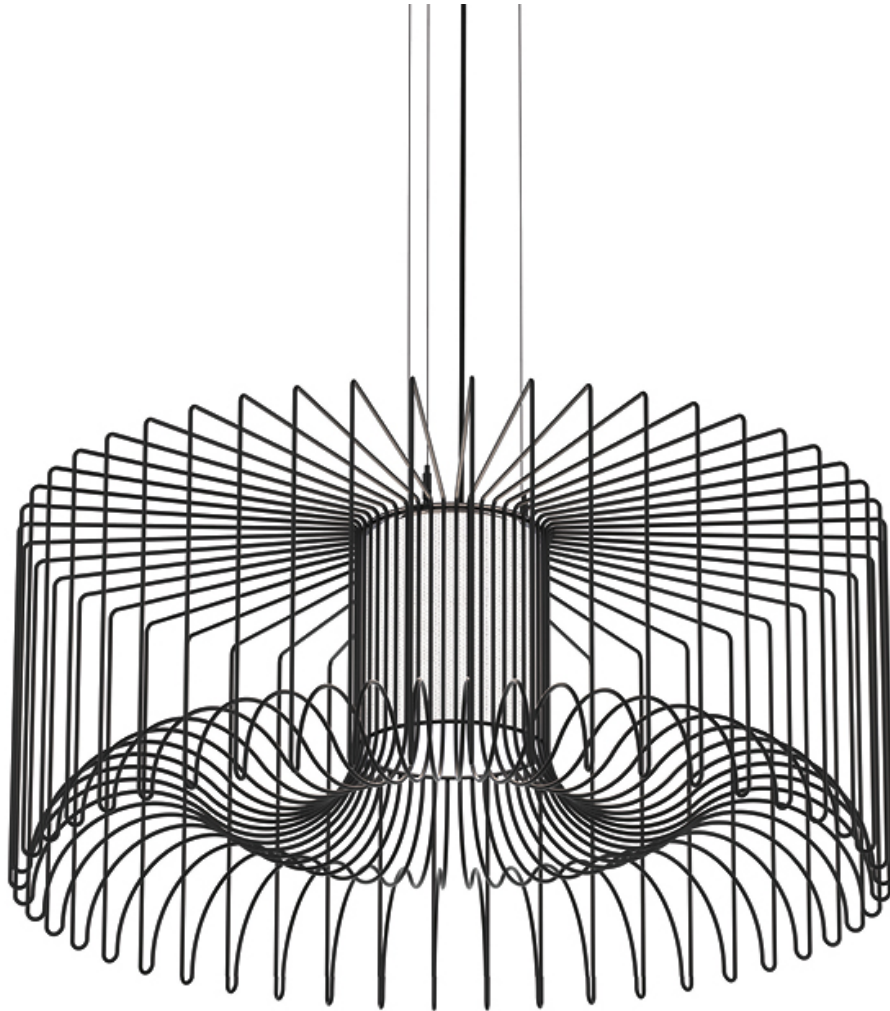
Lampshade



Washable

Metal structure

Metal parts protected with electrolytic galvanizing treatment and resistant polyester coating



IP44/64



Details



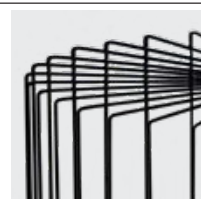
Ceiling rose detail



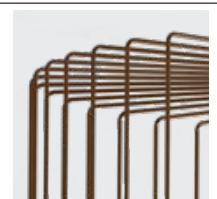
Icaro 100 Ceiling rose detail



White finish detail



Black finish detail



Bronze finish detail

SPECIFICATION SHEET

* cable on measure

Luminart®

WWW.LUMINARTLIGHTING.COM
Last updated: 02/12/25

ICARO™

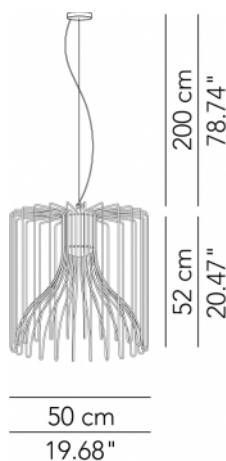
OUTDOOR SUSPENSION

TYPE:

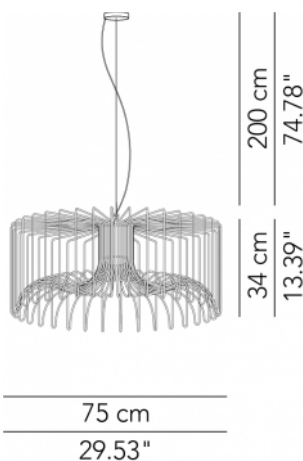
PROJECT NAME:

Pendant lamp - ø 50	ø 50 x 52 6 Kg	lamp type 1xE26 max watt 42W LED	L82ICOESO050G01
Pendant lamp - ø 75	ø 75 x 34 10 Kg	lamp type 1xE26 max watt 42W LED	L82ICOESO075G01
Pendant lamp - ø 100	ø 100 x 44 20 Kg	lamp type 1xE26 max watt 70W LED	L82ICOESO100G01

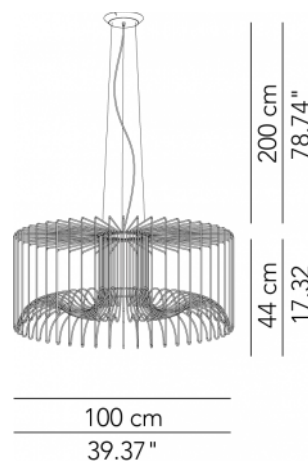
ICARO 50



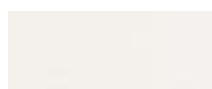
ICARO 75



ICARO 100



Washable



Cod. 616
Natural



Cod. 618
Marble



Cod. 621
Amber



Cod. 617
Moleskin



Cod. 613
Flanelle



Cod. 620
Autumn



Cod. 619
Sage

SPECIFICATION SHEET

ORDERING INFO

Model (Order Code)

Structure Finish

Lampshade Finish

Power Options

- White
- Black
- Bronze

- 120V Phase Dimming

