

ICARO™

OUTDOOR SUSPENSION

TYPE:

PROJECT NAME:

Finish

Structure



White



Black

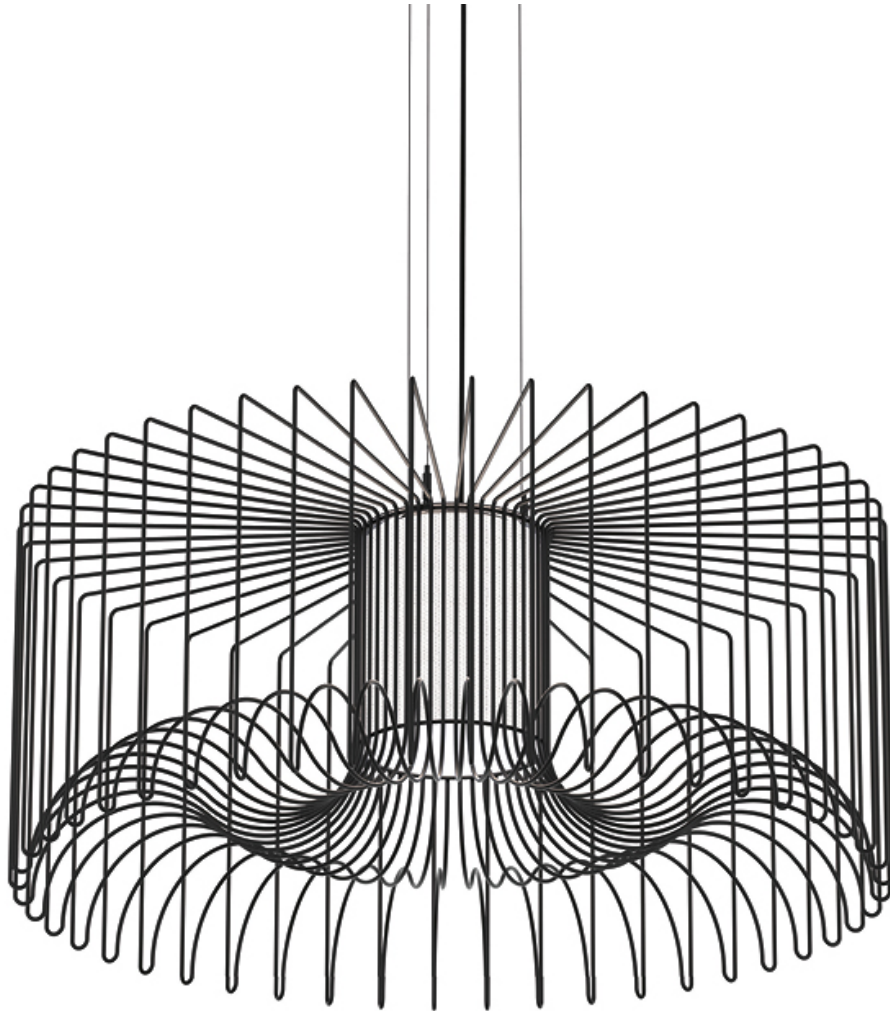
Lampshade



Washable

Metal structure

Metal parts protected with electrolytic galvanizing treatment and resistant polyester coating



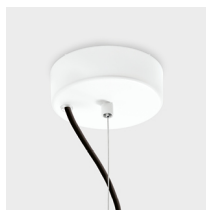
IP44/64



White finish detail



Black finish detail



Canopy detail



Icaro 100 canopy detail

SPECIFICATION SHEET

* cable on measure

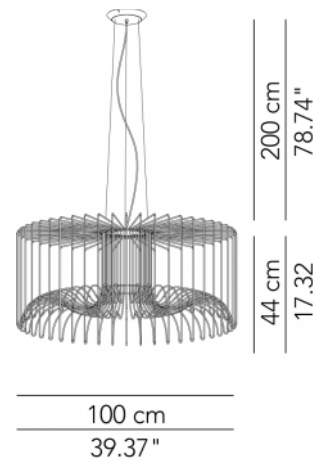
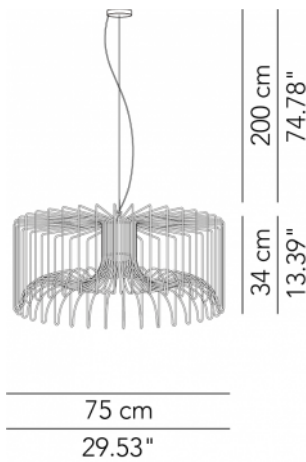
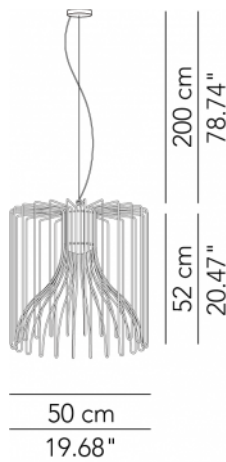
ICARO™

OUTDOOR SUSPENSION

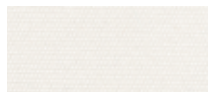
TYPE:

PROJECT NAME:

Pendant lamp - ø 50	ø 50 x 52 6 Kg	lamp type 1xE26 max watt 15W LED	L82ICOESO050G01
Pendant lamp - ø 75	ø 75 x 34 10 Kg	lamp type 1xE26 max watt 15W LED	L82ICOESO075G01
Pendant lamp - ø 100	ø 100 x 44 20 Kg	lamp type 1xE26 max watt 15W LED	L82ICOESO100G01



Washable



Code 616
Natural



Code 618
Marble



Code 614
Sunlime



Code 617
Moleskin



Code 613
Flanelle

SPECIFICATION SHEET

ORDERING INFO

Model (Order Code)

Structure Finish

Lampshade Finish

Power Options

120V Phase Dimming



Luminart®

WWW.LUMINARTLIGHTING.COM