

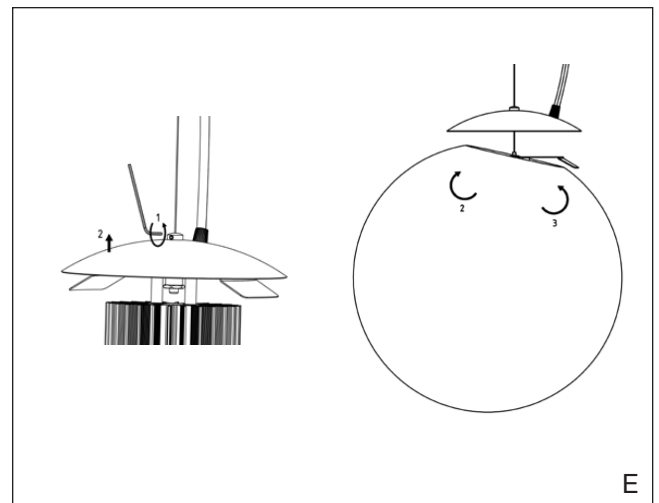
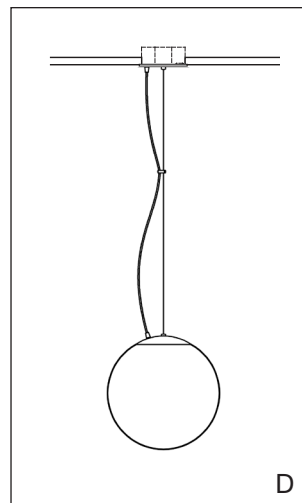
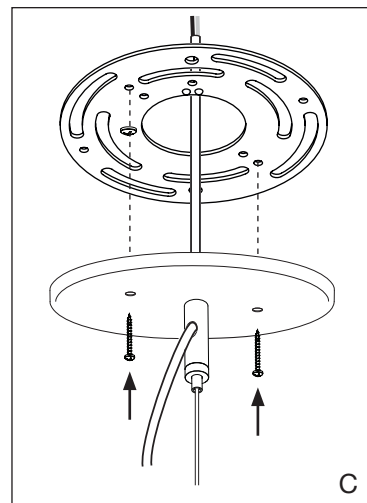
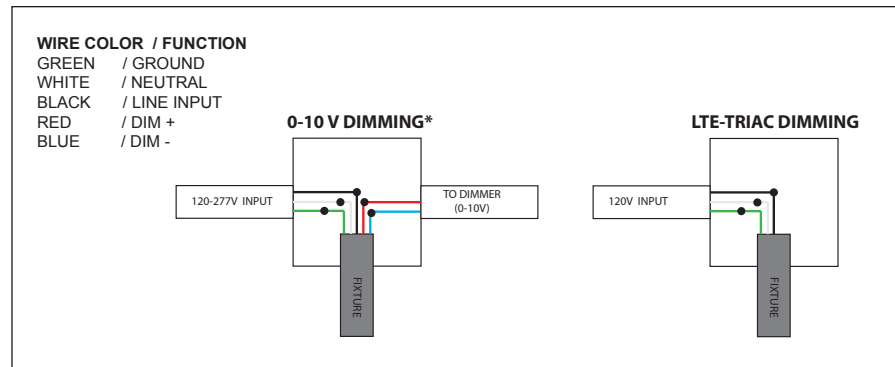
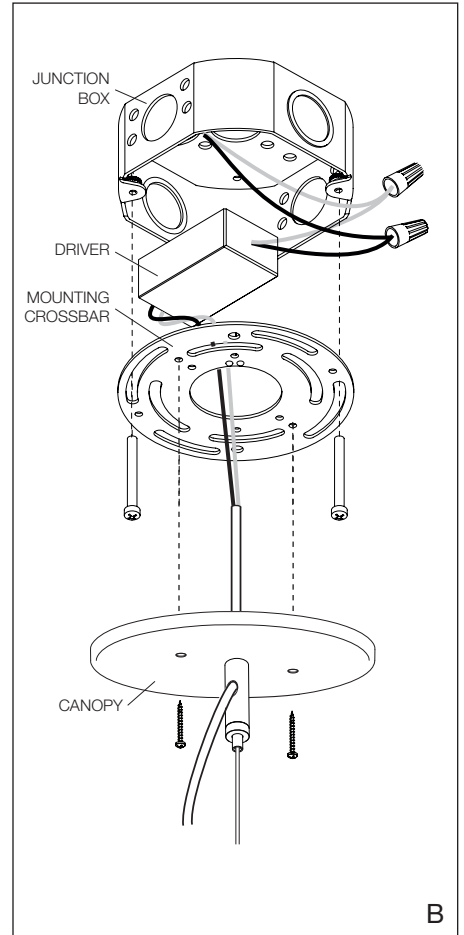
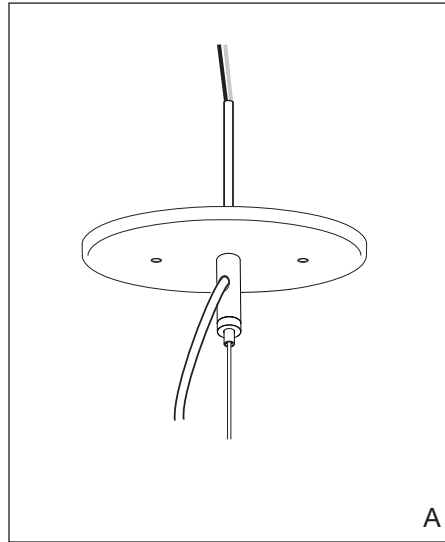
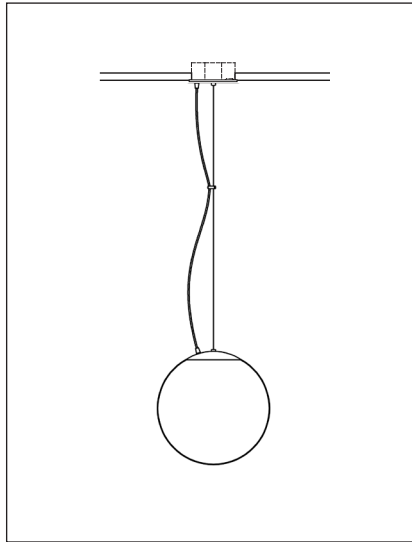
KALISPERA™

INSTALLATION INSTRUCTIONS

TYPE:

PROJECT NAME:

- A- Introduce power and aircraft cables through cable grip. Adjust the length of the aircraft cable and lock the position.
- B- Make all necessary wire connections by following the drawings. Position the driver in the Junction box and fasten the crossbar to the J box with screws.
- C- Place the canopy over the crossbar. Secure assembly in place using finishing screw.
- D- Complete.



INSTALLATION SHEET