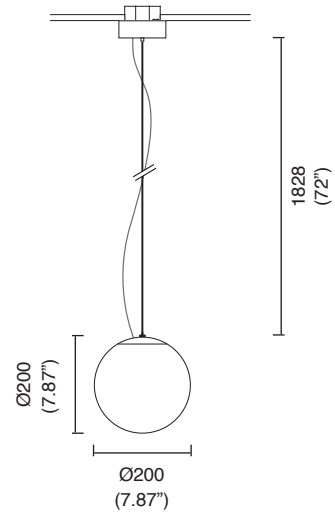
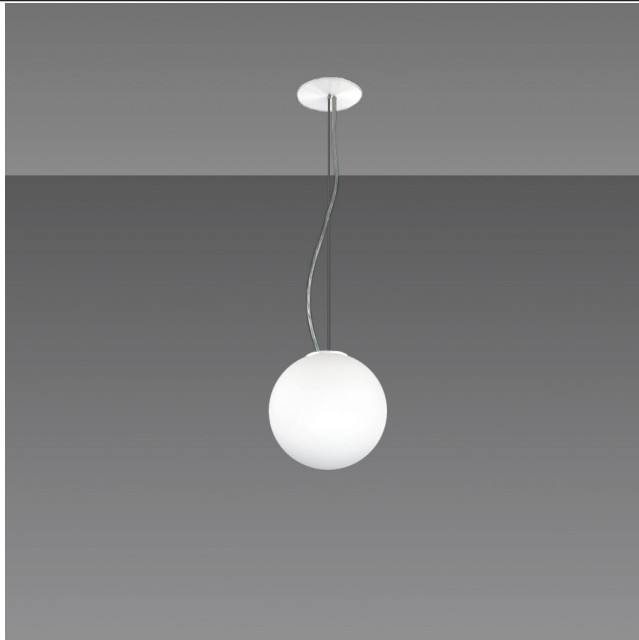


KALISPERA™ MINI

SUSPENSION

TYPE:

PROJECT NAME:



Come with 72" air craft suspension cable, longer cable on request.

Spherical pendant light with shade diameter Ø200 mm (7.87"). Product consists of wire pendant and PMMA matt shade. Shade is fixed by steel hanger. Suitable for indoor use.

Power input: 9W

Mounting: 72" adjustable air craft cable, clear power cord (white or black on request), and one canopy. Installs on a standard 4" junction box.

Material base: Metal

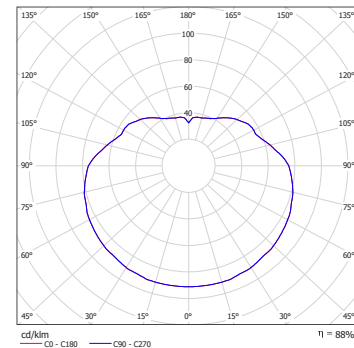
Shade: Matt opal polymethylmethacrylate - PMMA

Electrical: High efficiency electronic power supply, rated 50 000 hours 120V-277V.

Dimming: Power supply compatible with 0-10V (D10) or LTE phase dimming (TRIAC).

Finish: White, Black, Polished metal, Brushed metal

Shade holder: Steel holder



Source: LED module

3000K: 80CRI

4000K: 80CRI

Lumen maintenance: >80% of initial lumens at 50 000 hours

Input [W]	Nominal Lum. flux of light source		Delivered Lum. flux of luminaire	
	3000K	4000K	3000K	4000K
9	1070lm	1130lm	950lm	1000lm

ORDERING INFO

Model (Order Code)	Source	Structure Finish	LED	Dimming Options
<input type="radio"/> L74ISISL1PMM	<input type="radio"/> 9W	<input type="radio"/> White <input type="radio"/> Black <input type="radio"/> Polished metal <input type="radio"/> Brushed metal	<input type="radio"/> 3000K <input type="radio"/> 4000K	<input type="radio"/> 120V LTE <input type="radio"/> 120-277V 0-10V

SPECIFICATION SHEET



Luminart®

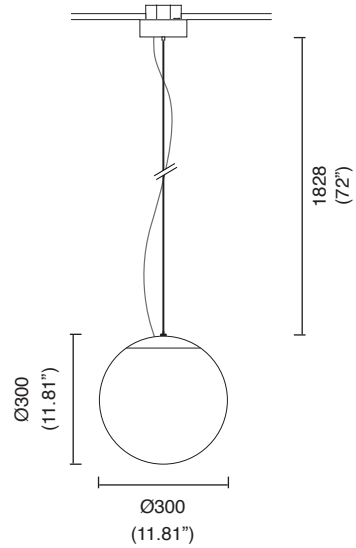
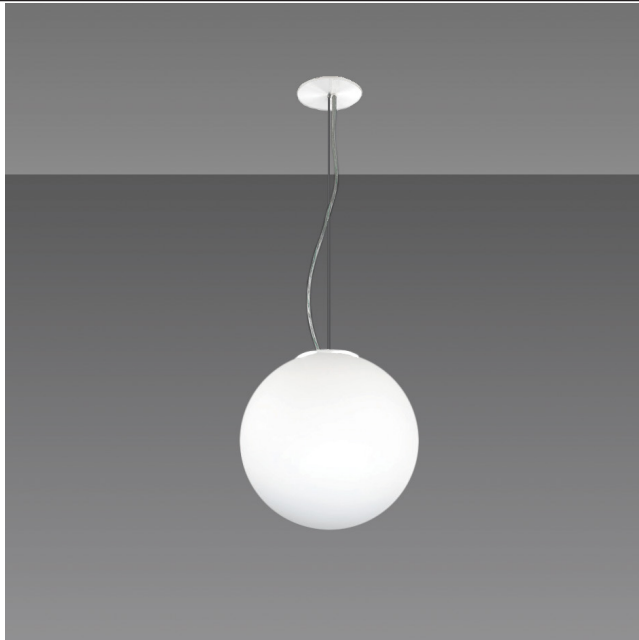
WWW.LUMINARTLIGHTING.COM
Last updated: 10/31/24

KALISPERA™ SMALL

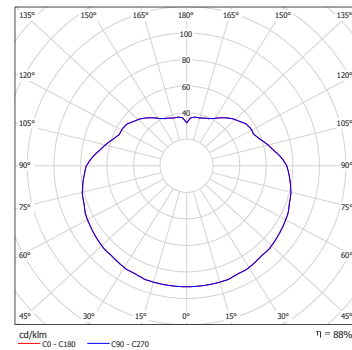
SUSPENSION

TYPE:

PROJECT NAME:



Come with 72" air craft suspension cable, longer cable on request.



Spherical pendant light with shade diameter Ø300 mm (11.81"). Product consists of wire pendant and PMMA matt shade. Shade is fixed by steel hanger. Suitable for indoor use.

Power input: 20W

Mounting: 72" adjustable air craft cable, clear power cord (white or black on request), and one canopy. Installs on a standard 4" junction box.

Material base: Metal

Shade: Matt opal polymethylmethacrylate - PMMA

Electrical: High efficiency electronic power supply, rated 50 000 hours 120V-277V.

Dimming: Power supply compatible with 0-10V (D10) or LTE phase dimming (TRIAC).

Finish: White, Black, Polished metal, Brushed metal

Shade holder: Steel holder with Ø110mm (4.33") opening

Source: LED module

3000K: 80CRI

4000K: 80CRI

Lumen maintenance: >80% of initial lumens at 50 000 hours

Input [W]	Nominal Lum. flux of light source		Delivered Lum. flux of luminaire	
	3000K	4000K	3000K	4000K
20	2970lm	3130lm	2610lm	2760lm

ORDERING INFO

Model (Order Code)	Source	Structure Finish	LED	Dimming Options
<input type="radio"/> L74ISISL2PMM	<input type="radio"/> 20W	<input type="radio"/> White <input type="radio"/> Black <input type="radio"/> Polished metal <input type="radio"/> Brushed metal	<input type="radio"/> 3000K <input type="radio"/> 4000K	<input type="radio"/> 120V LTE <input type="radio"/> 120-277V 0-10V

SPECIFICATION SHEET

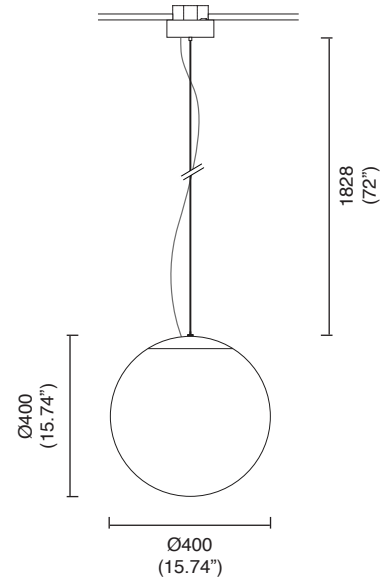


KALISPERA™ MEDIUM

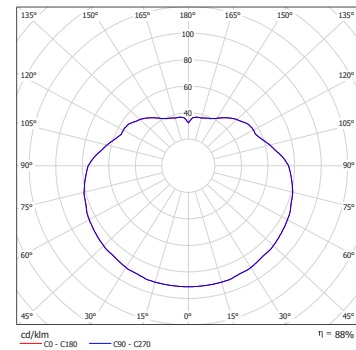
SUSPENSION

TYPE:

PROJECT NAME:



Come with 72" air craft suspension cable, longer cable on request.



Spherical pendant light with shade diameter Ø400 mm (15.74"). Product consists of wire pendant and PMMA matt shade. Shade is fixed by steel hanger. Suitable for indoor use.

Power input: 27W

Mounting: 72" adjustable air craft cable, clear power cord (white or black on request), and one canopy. Installs on a standard 4" junction box.

Material base: Metal

Shade: Matt opal polymethylmethacrylate - PMMA

Electrical: High efficiency electronic power supply, rated 50 000 hours 120V-277V.

Dimming: Power supply compatible with 0-10V (D10) or LTE phase dimming (TRIAC).

Finish: White, Black, Polished metal, Brushed metal

Shade holder: Steel holder with Ø150mm (5.9") opening

Source: LED module

3000K: 80CRI

4000K: 80CRI

Lumen maintenance: >80% of initial lumens at 50 000 hours

Input [W]	Nominal Lum. flux of light source		Delivered Lum. flux of luminaire	
	3000K	4000K	3000K	4000K
27	3900lm	4110lm	3430lm	3620lm

ORDERING INFO

Model (Order Code)	Source	Structure Finish	LED	Dimming Options
<input type="radio"/> L74ISISL3PMM	<input type="radio"/> 27W	<input type="radio"/> White <input type="radio"/> Black <input type="radio"/> Polished metal <input type="radio"/> Brushed metal	<input type="radio"/> 3000K <input type="radio"/> 4000K	<input type="radio"/> 120V LTE <input type="radio"/> 120-277V 0-10V

SPECIFICATION SHEET

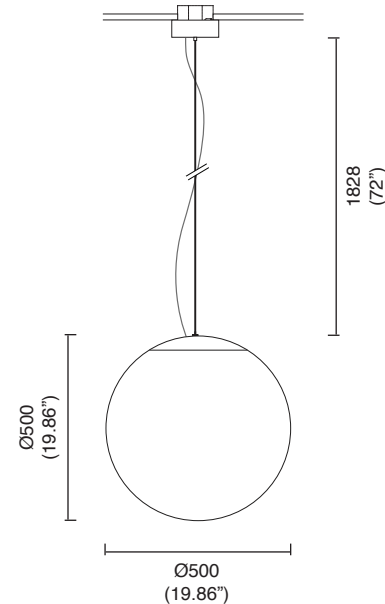


KALISPERA™ LARGE

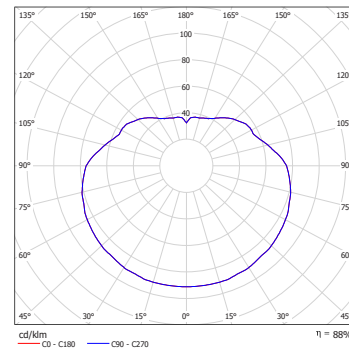
SUSPENSION

TYPE:

PROJECT NAME:



Come with 72" air craft suspension cable, longer cable on request.



Spherical pendant light with shade diameter Ø500 mm (19.86"). Product consists of wire pendant and PMMA matt shade. Shade is fixed by steel hanger. Suitable for indoor use.

Power input: 41W

Mounting: 72" adjustable air craft cable, clear power cord (white or black on request), and one canopy. Installs on a standard 4" junction box.

Material base: Metal

Shade: Matt opal polymethylmethacrylate - PMMA

Electrical: High efficiency electronic power supply, rated 50 000 hours 120V-277V.

Dimming: Power supply compatible with 0-10V (D10) or LTE phase dimming (TRIAC).

Finish: White, Black, Polished metal, Brushed metal

Shade holder: Steel holder with Ø150mm (5.9") opening

Source: LED module

3000K: 80CRI

4000K: 80CRI

Lumen maintenance: >80% of initial lumens at 50 000 hours

Input [W]	Nominal Lum. flux of light source		Delivered Lum. flux of luminaire	
	3000K	4000K	3000K	4000K
41	5880lm	6200lm	5170lm	5450lm

ORDERING INFO

Model (Order Code)	Source	Structure Finish	LED	Dimming Options
<input type="radio"/> L74ISISL4PMM	<input type="radio"/> 41W	<input type="radio"/> White <input type="radio"/> Black <input type="radio"/> Polished metal <input type="radio"/> Brushed metal	<input type="radio"/> 3000K <input type="radio"/> 4000K	<input type="radio"/> 120V LTE <input type="radio"/> 120-277V 0-10V

SPECIFICATION SHEET

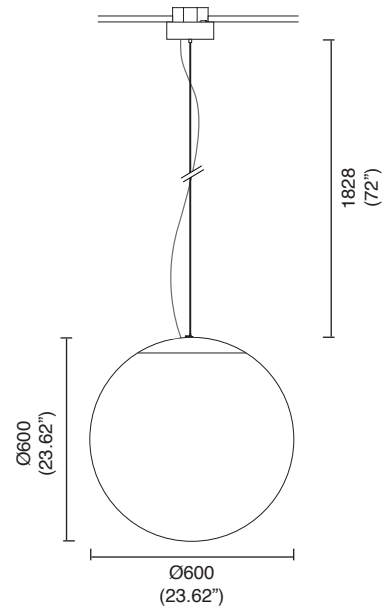


KALISPERA™ XL

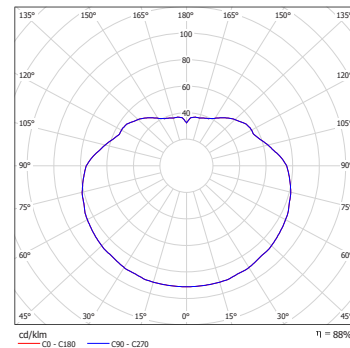
SUSPENSION

TYPE:

PROJECT NAME:



Come with 72" air craft suspension cable, longer cable on request.



Spherical pendant light with shade diameter Ø600mm (23.62")
Product consists of wire pendant and PMMA matt shade. Shade is fixed by steel hanger. Suitable for indoor use.

Power input: 41W

Mounting: 72" adjustable air craft cable, clear power cord (white or black on request), and one canopy. Installs on a standard 4" junction box.

Material base: Metal

Shade: Matt opal polymethylmethacrylate - PMMA

Electrical: High efficiency electronic power supply, rated 50 000 hours 120V-277V.

Dimming: Power supply compatible with 0-10V (D10) or LTE phase dimming (TRIAC).

Finish: White, Black, Polished metal, Brushed metal

Shade holder: Steel holder with Ø150mm (5.9") opening

Source: LED module

3000K: 80CRI

4000K: 80CRI

Lumen maintenance: >80% of initial lumens at 50 000 hours

Input [W]	Nominal Lum. flux of light source		Delivered Lum. flux of luminaire	
	3000K	4000K	3000K	4000K
41	5880lm	6200lm	5170lm	5450lm

ORDERING INFO

Model (Order Code)	Source	Structure Finish	LED	Dimming Options
<input type="radio"/> L74ISISL5PMM	<input type="radio"/> 41W	<input type="radio"/> White <input type="radio"/> Black <input type="radio"/> Polished metal <input type="radio"/> Brushed metal	<input type="radio"/> 3000K <input type="radio"/> 4000K	<input type="radio"/> 120V LTE <input type="radio"/> 120-277V 0-10V

SPECIFICATION SHEET

