

KYKLO™ FLAT

DOWNLIGHT

TYPE:

PROJECT NAME:



SPECIFICATION SHEET

Luminart®

WWW.LUMINARTLIGHTING.COM

KYKLO™ FLAT

DOWNLIGHT

TYPE:

PROJECT NAME:

Flush glass

The round glass diffuser flush with the lamp body defines a refined edge which adds lightness and a distinctive style.



SPECIFICATION SHEET

KYKLO™ FLAT 90

DOWNLIGHT

TYPE:

PROJECT NAME:



Outdoor lighting fixture for ceiling installation. Low copper content die-cast aluminum solid structure. Transparent ultrawhite tempered glass diffuser, flush with the lamp body.

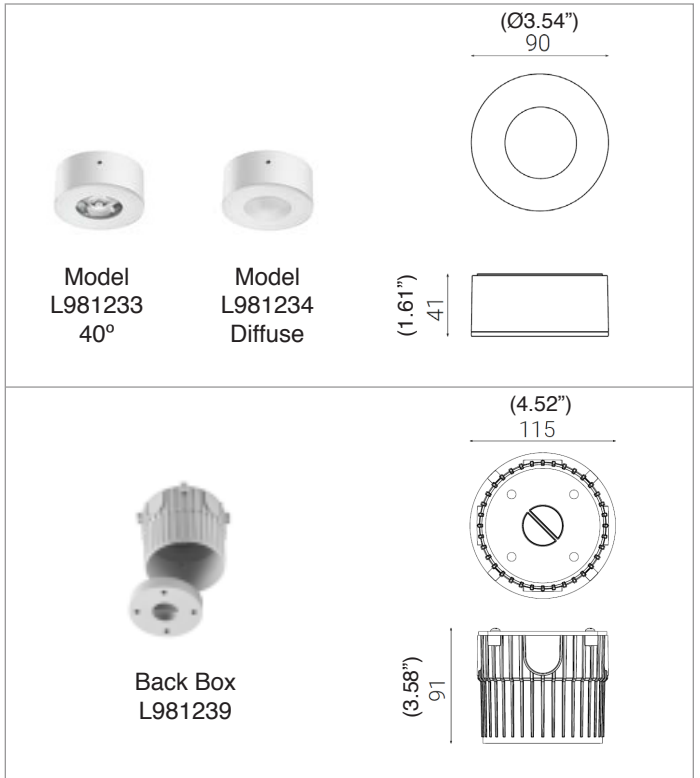
Power input: 4W

Light emission direction: Direct

Materials: Aluminum structure, transparent ultrawhite tempered front glass

Electrical: High efficiency electronic power supply, rated 50,000 hours 120V-277V

Dimming: Power supply compatible with 0-10V or LTE dimming



Structure finish: Anthracite, White



Light source: LED

2700K: 80CRI
3000K: 80CRI
4000K: 80CRI

Optics:

12°
40°
90°
Diffuse

Source lumens: 40°: 130 lm, Diffuse: 68 lm

SPECIFICATION SHEET

ORDERING INFO

Model (Order Code)	Structure Finish	Optic Options	Back Box	LED	Dimming Options
<input type="radio"/> L981233	<input type="radio"/> AN: Anthracite <input type="radio"/> AG: Aluminum Grey	<input type="radio"/> 12: 12° <input type="radio"/> 40: 40° <input type="radio"/> 90: 90° <input type="radio"/> L981234: Diffuse	<input type="radio"/> L981239	<input type="radio"/> 2700K <input type="radio"/> 3000K <input type="radio"/> 4000K	<input type="radio"/> 120V LTE <input type="radio"/> 120V 0-10V <input type="radio"/> 277V 0-10V



Luminart®

WWW.LUMINARTLIGHTING.COM

KYKLO™ FLAT 130

DOWNLIGHT

TYPE:

PROJECT NAME:



Outdoor lighting fixture for ceiling installation. Low copper content die-cast aluminum solid structure. Transparent ultrawhite tempered glass diffuser, flush with the lamp body.

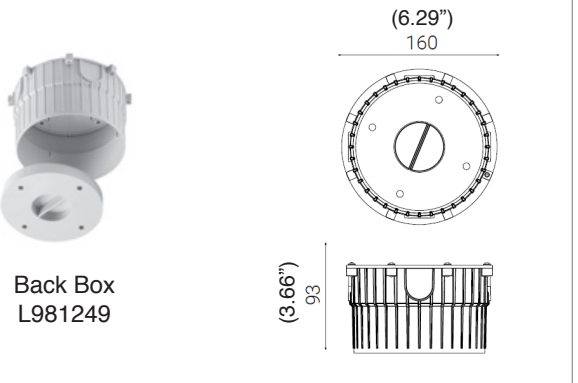
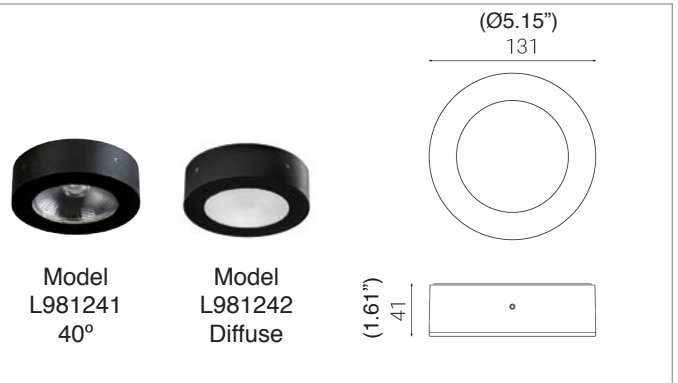
Power input: 10W

Light emission direction: Direct

Materials: Aluminum structure, transparent ultrawhite tempered front glass

Electrical: High efficiency electronic power supply, rated 50,000 hours 120V-277V

Dimming: Power supply compatible with 0-10V or LTE dimming



Structure finish: Anthracite, White



Light source: LED

2700K: 80CRI
3000K: 80CRI
4000K: 80CRI

Optics:

12°
40°
90°
Diffuse

Source lumens: 40°: 750 lm, Diffuse: 363 lm

SPECIFICATION SHEET

ORDERING INFO

Model (Order Code)	Structure Finish	Optic Options	Back Box	LED	Dimming Options
<input type="radio"/> L981241	<input type="radio"/> AN: Anthracite <input type="radio"/> AG: Aluminum Grey	<input type="radio"/> 12: 12° <input type="radio"/> 40: 40° <input type="radio"/> 90: 90° <input type="radio"/> L981242: Diffuse	<input type="radio"/> L981249	<input type="radio"/> 2700K <input type="radio"/> 3000K <input type="radio"/> 4000K	<input type="radio"/> 120V LTE <input type="radio"/> 120V 0-10V <input type="radio"/> 277V 0-10V



Luminart®

WWW.LUMINARTLIGHTING.COM