

KYKLO™

DOWNLIGHT

TYPE:

PROJECT NAME:



SPECIFICATION SHEET

Luminart®

WWW.LUMINARTLIGHTING.COM

KYKLO™

DOWNLIGHT

TYPE:

PROJECT NAME:

Flush glass

The round glass diffuser flush with the lamp body defines a refined edge which adds lightness and a distinctive style.



SPECIFICATION SHEET

KYKLO™ 90

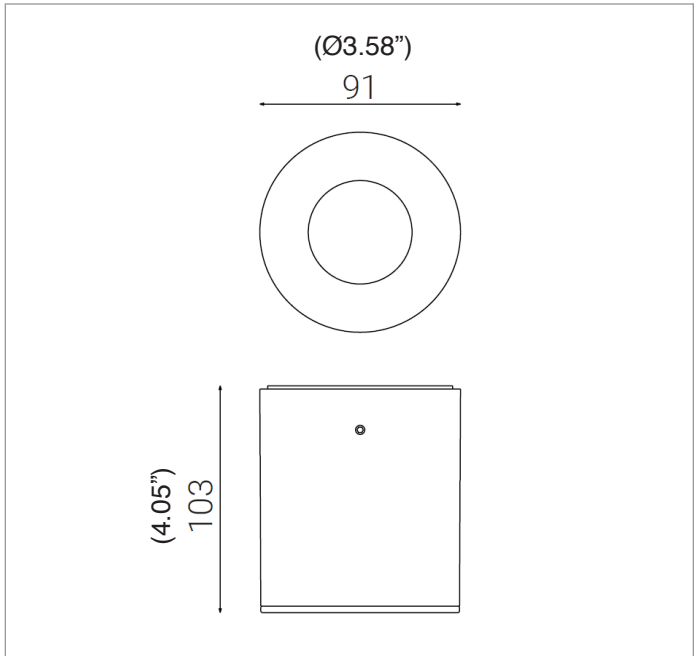
DOWNLIGHT

TYPE:

PROJECT NAME:



Model
L981235 LED
L981236 GU10



Outdoor lighting fixture for ceiling installation. Low copper content die-cast aluminum solid structure. Transparent ultrawhite tempered glass diffuser, flush with the lamp body.

Power input: LED 8W or GU10 7W

Light emission direction: Direct

Materials: Aluminum structure, transparent ultrawhite tempered front glass

Electrical: High efficiency electronic power supply, rated 50,000 hours 120V-277V

Dimming: Power supply compatible with 0-10V or LTE dimming

Structure finish: Anthracite, White



Light source: LED or GU10

2700K: 80CRI

3000K: 80CRI

4000K: 80CRI

Optics:

16°

24°

60°

Source lumens: LED 840 lm

SPECIFICATION SHEET

ORDERING INFO

Model (Order Code)	Structure Finish	Optic Options*	LED*	Dimming Options
<input type="radio"/> L981235 LED	<input type="radio"/> AN: Anthracite	<input type="radio"/> 16: 16°	<input type="radio"/> 2700K	<input type="radio"/> 120V LTE
<input type="radio"/> L981236 GU10	<input type="radio"/> W: White	<input type="radio"/> 24: 24°	<input type="radio"/> 3000K	<input type="radio"/> 120V 0-10V
		<input type="radio"/> 60: 60°	<input type="radio"/> 4000K	<input type="radio"/> 277V 0-10V



*Only available for LED version

KYKLO™ 130

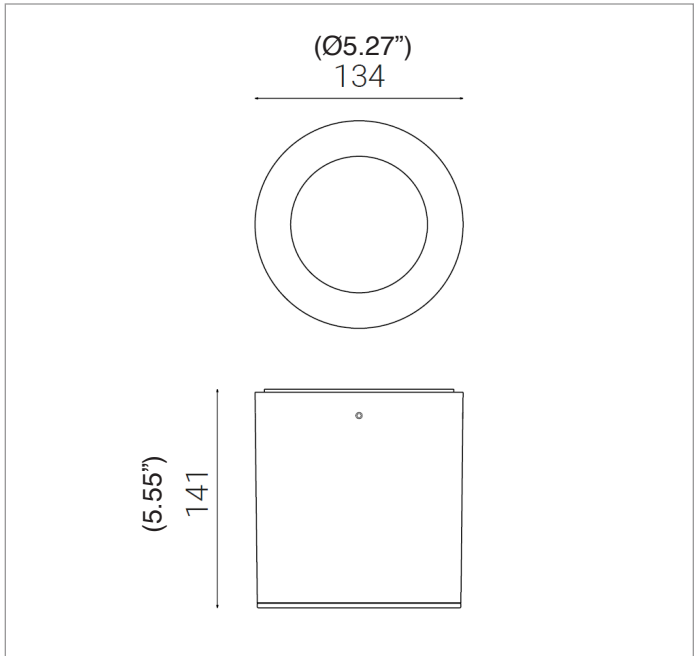
DOWNLIGHT

TYPE:

PROJECT NAME:



Model
L981243
15°



Outdoor lighting fixture for ceiling installation. Low copper content die-cast aluminum solid structure. Transparent ultrawhite tempered glass diffuser, flush with the lamp body.

Power input: 19W

Light emission direction: Direct

Materials: Aluminum structure, transparent ultrawhite tempered front glass

Electrical: High efficiency electronic power supply, rated 50,000 hours 120V-277V

Dimming: Power supply compatible with 0-10V or LTE dimming

Structure finish: Anthracite, White



Light source: LED

2700K: 80CRI

3000K: 80CRI

4000K: 80CRI

Optics:

15°

35°

Source lumens: 2350 lm

SPECIFICATION SHEET

ORDERING INFO

Model (Order Code)	Structure Finish	Optic Options	LED	Dimming Options
<input type="radio"/> L981243	<input type="radio"/> AN: Anthracite <input type="radio"/> W: White	<input type="radio"/> 15: 15° <input type="radio"/> 35: 35°	<input type="radio"/> 2700K <input type="radio"/> 3000K <input type="radio"/> 4000K	<input type="radio"/> 120V LTE <input type="radio"/> 120V 0-10V <input type="radio"/> 277V 0-10V

