

LANCIA™

WALL - VERTICAL

TYPE:

PROJECT NAME:

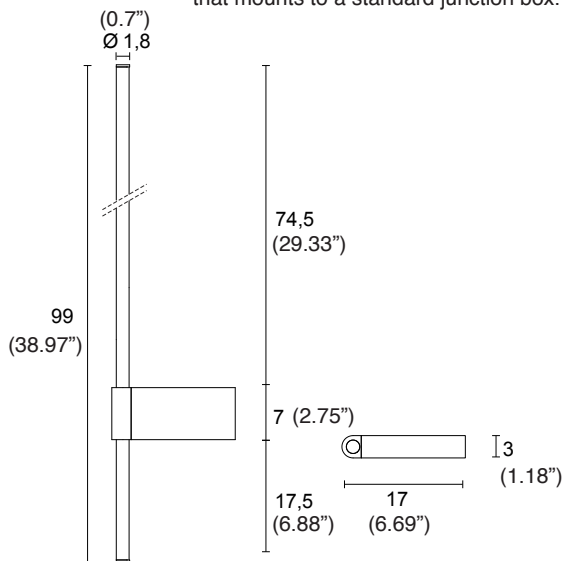


materials:	structure and ends in aluminum, opal polycarbonate diffuser
light:	direct/diffuse
light sources:	/W LED 16,5W 2072lm 4000K CRI>90 /WW LED 16,5W 1852lm 3000K CRI>90 /XW LED 16,6W 1732lm 2700K CRI>90
IP grade:	40
net weight:	0,90 Kg
finishes:	.01 white .02 black .24 black chrome .25 satin golded .31 chrome .32 satin nickel
symbols:	IP40

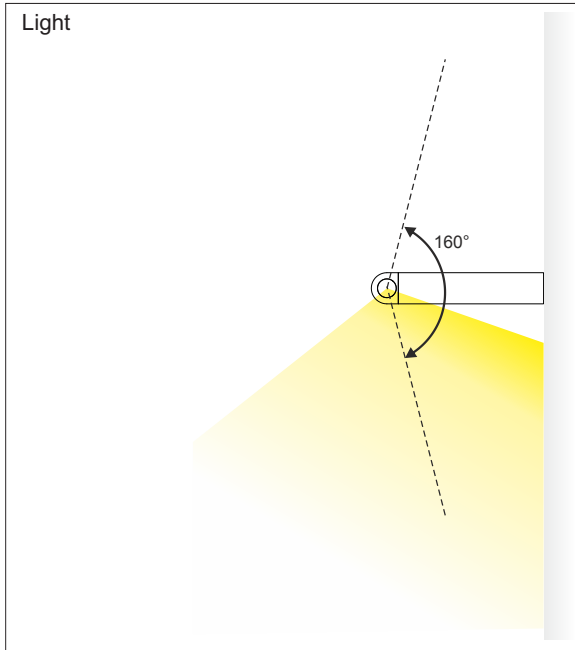
Dimensions

Installation Note:

Fixture comes with a 4" backplate that mounts to a standard junction box.



Light



SPECIFICATION SHEET

ORDERING INFO

L674569

Model (Order Code)	Structure Finishes	LED	Driver Options
<input type="radio"/> L674569 16W	<input type="radio"/> 01: White <input type="radio"/> 02: Black <input type="radio"/> 24: Black Chrome <input type="radio"/> 25: Satin Golded <input type="radio"/> 31: Chrome <input type="radio"/> 32: Satin Nickel	<input type="radio"/> XW: 2700K <input type="radio"/> WW: 3000K <input type="radio"/> W: 4000K	<input type="radio"/> 120V LTE <input type="radio"/> 120V-277V 0-10V



Luminart®

WWW.LUMINARTLIGHTING.COM
Last updated: 01/15/25