

LANCIA™ MINI

WALL

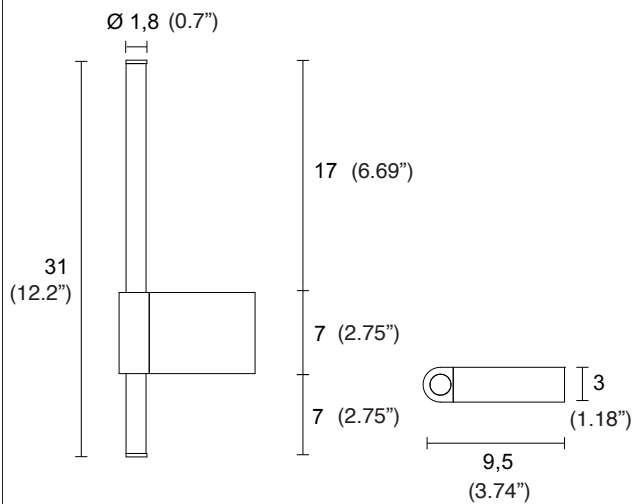
TYPE:

PROJECT NAME:

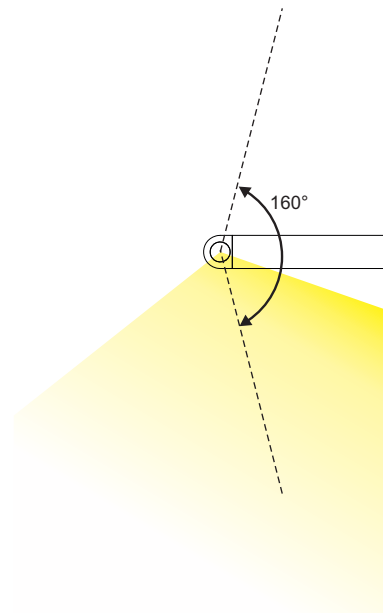


type:	adjustable wall lamp
materials:	structure and ends in aluminum, opal polycarbonate diffuser
light:	diffuse
light sources:	/W LED 5,4W 600lm 4000K CRI>90 /WW LED 5,4W 595lm 3000K CRI>90 /XW LED 5,4W 537lm 2700K CRI>90
IP grade:	40
net weight:	0,40 Kg
finishes:	.01 white .02 black .25 satin golded
symbols:	IP40

Dimensions



Light



SPECIFICATION SHEET

ORDERING INFO

L674566

Model (Order Code)	Structure Finishes	LED	Driver Options
<input type="radio"/> L674566 5.4W	<input type="radio"/> 01: White <input type="radio"/> 02: Black <input type="radio"/> 25: Satin Golded	<input type="radio"/> XW: 2700K <input type="radio"/> WW: 3000K <input type="radio"/> W: 4000K	<input type="radio"/> 120V LTE <input type="radio"/> 120V-277V 0-10V

Installation Note: Fixture comes with a 4" backplate that mounts to a standard junction box.

