

LUNA™

FLOOR

TYPE:

PROJECT NAME:



SPECIFICATION SHEET

Luminart®

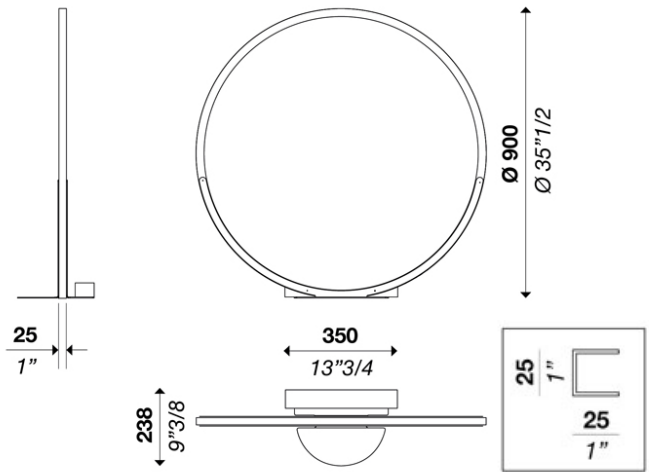
WWW.LUMINARTLIGHTING.COM

LUNA™ MEDIUM

FLOOR 69W

TYPE:

PROJECT NAME:



Floor lamp Ø 900mm (35"1/2) with diffused light. Aluminium structure matt white, black or brass coated. Opal membrane diffuser. Strip LED.

Power input: 69W

Light emission direction: Diffused

Materials: Aluminium structure, opal membrane diffuser

Electrical: High efficiency electronic power supply, rated 50,000 hours 120V

Structure finish: Matt white, matt black, brass



Light source: LED

3000K: 90CRI

4000K: 90CRI

Degree of protection: IP20

Source lumens: 7866 lm

Source efficacy: 114 lm/W

SPECIFICATION SHEET

ORDERING INFO

Model (Order Code)	Structure Finish	LED	Driver Options
<input type="radio"/> L032670602A70100 69W	<input type="radio"/> Matt White <input type="radio"/> Matt Black <input type="radio"/> Brass	<input type="radio"/> 3000K <input type="radio"/> 4000K	<input type="radio"/> 120V



Luminart®

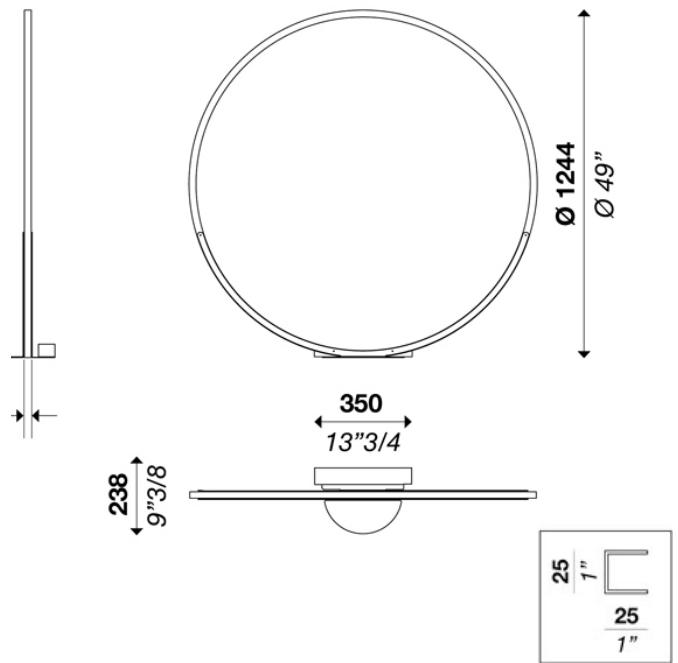
WWW.LUMINARTLIGHTING.COM

LUNA™ LARGE

FLOOR 78W

TYPE:

PROJECT NAME:



Floor lamp Ø 1250mm (49"1/4) with diffused light. Aluminium structure matt white, black or brass coated. Opal membrane diffuser. Strip LED.

Power input: 78W

Light emission direction: Diffused

Materials: Aluminium structure, opal membrane diffuser

Electrical: High efficiency electronic power supply, rated 50,000 hours 120V

Structure finish: Matt white, matt black, brass



Light source: LED
3000K: 90CRI
4000K: 90CRI

Degree of protection: IP20

Source lumens: 8892 lm

Source efficacy: 114 lm/W

SPECIFICATION SHEET

ORDERING INFO

Model (Order Code)	Structure Finish	LED	Driver Options
<input type="radio"/> L032670601A70100 78W	<input type="radio"/> Matt White <input type="radio"/> Matt Black <input type="radio"/> Brass	<input type="radio"/> 3000K <input type="radio"/> 4000K	<input type="radio"/> 120V

