

**LUNA™**  
SUSPENSION HORIZONTAL

**TYPE:**

**PROJECT NAME:**



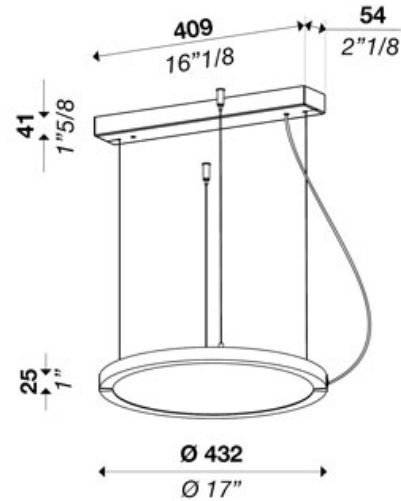
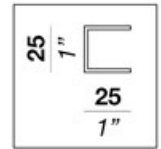
SPECIFICATION SHEET

# LUNA™ SMALL

SUSPENSION HORIZONTAL 32W

TYPE:

PROJECT NAME:



Hanging lamp Ø 430mm (17") with direct light or direct and indirect light. Aluminium structure matt white, black or brass coated. Opal membrane diffuser. Metal ceiling canopy matt white, black or brass coated. Strip LED.

**Power input:** 32W

**Light emission direction:** Direct / direct and indirect

**Hanging cables:**

Stainless steel cables standard length 2000 mm (78"3/4),  
Electric cable standard length 2500 mm (100")

**Materials:** Aluminium structure, opal membrane diffuser

**Electrical:** High efficiency electronic power supply, rated  
50,000 hours 120V-277V

**Dimming:** Power supply compatible with 0-10V

**Structure finish:** Matt white, matt black, brass



**Light source:** LED

3000K: 90CRI  
4000K: 90CRI

**Degree of protection:** IP20

**Source lumens:** 3648 lm

**Source efficacy:** 114 lm/W

SPECIFICATION SHEET

## ORDERING INFO

Model (Order Code)	Structure Finish	LED	Driver Options
<input type="radio"/> L032670304A20100 32W (Downward Light)	<input type="radio"/> Matt White	<input type="radio"/> 3000K	<input type="radio"/> 120V 0-10V Dimming
<input type="radio"/> L032670305A20100 32W (Up-Down Light)	<input type="radio"/> Matt Black	<input type="radio"/> 4000K	<input type="radio"/> 277V 0-10V Dimming
	<input type="radio"/> Brass		

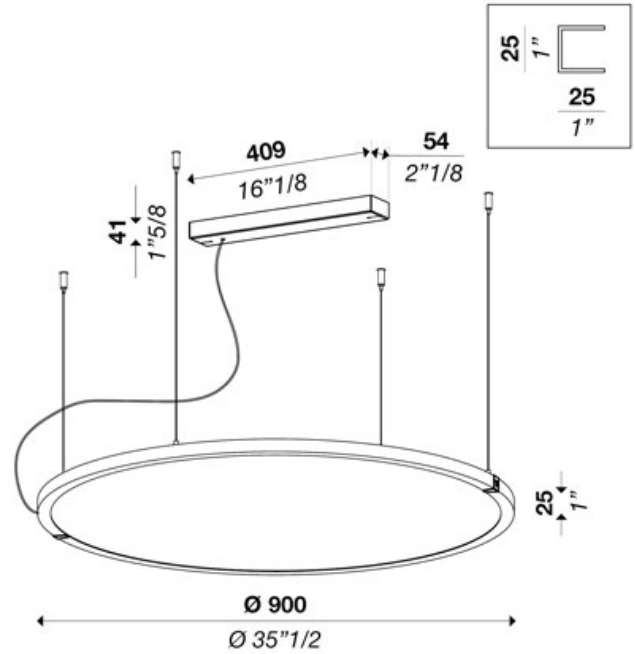


# LUNA™ MEDIUM

## SUSPENSION HORIZONTAL 69W

**TYPE:**

**PROJECT NAME:**



Hanging lamp Ø 900mm (35"1/2) with direct light or direct and indirect light. Aluminium structure matt white, black or brass coated. Opal membrane diffuser. Metal ceiling canopy matt white, black or brass coated. Strip LED.

**Power input:** 69W

**Light emission direction:** Direct / direct and indirect

**Hanging cables:**

Stainless steel cables standard length 2000 mm (78"3/4),  
Electric cable standard length 2500 mm (100")

**Materials:** Aluminium structure, opal membrane diffuser

**Electrical:** High efficiency electronic power supply, rated  
50,000 hours 120V-277V

**Dimming:** Power supply compatible with 0-10V

**Structure finish:** Matt white, matt black, brass



**Light source:** LED

3000K: 90CRI  
4000K: 90CRI

**Degree of protection:** IP20

**Source lumens:** 7866 lm

**Source efficacy:** 114 lm/W

SPECIFICATION SHEET

### ORDERING INFO

Model (Order Code)	Structure Finish	LED	Driver Options
<input type="radio"/> L032670301A20100 69W (Downward Light)	<input type="radio"/> Matt White	<input type="radio"/> 3000K	<input type="radio"/> 120V 0-10V Dimming
<input type="radio"/> L032670307A20100 69W (Up-Down Light)	<input type="radio"/> Matt Black	<input type="radio"/> 4000K	<input type="radio"/> 277V 0-10V Dimming
	<input type="radio"/> Brass		



**Luminart®**

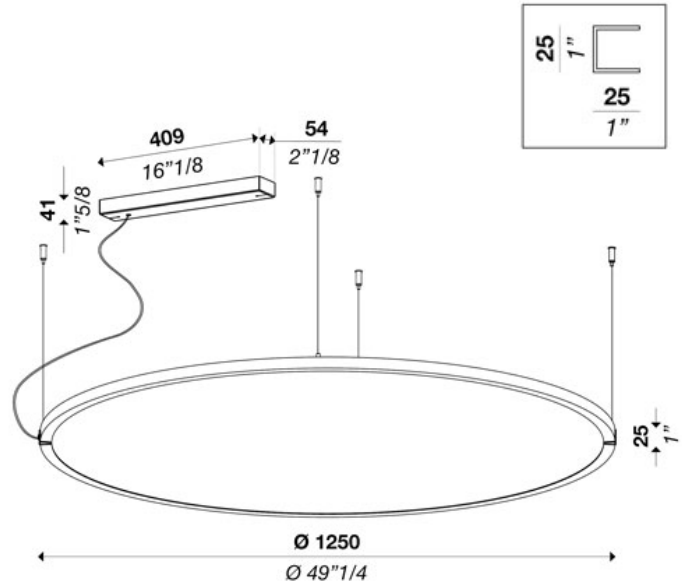
WWW.LUMINARTLIGHTING.COM

# LUNA™ LARGE

SUSPENSION HORIZONTAL 78W

TYPE:

PROJECT NAME:



Hanging lamp Ø 1250mm (49"1/4) with direct light or direct and indirect light. Aluminium structure matt white, black or brass coated. Opal membrane diffuser. Metal ceiling canopy matt white, black or brass coated. Strip LED.

**Power input:** 78W

**Light emission direction:** Direct / direct and indirect

**Hanging cables:**

Stainless steel cables standard length 2000 mm (78"3/4),  
Electric cable standard length 2500 mm (100")

**Materials:** Aluminium structure, opal membrane diffuser

**Electrical:** High efficiency electronic power supply, rated 50,000 hours 120V-277V

**Dimming:** Power supply compatible with 0-10V

**Structure finish:** Matt white, matt black, brass



**Light source:** LED

3000K: 90CRI  
4000K: 90CRI

**Degree of protection:** IP20

**Source lumens:** 8892 lm

**Source efficacy:** 114 lm/W

SPECIFICATION SHEET

## ORDERING INFO

Model (Order Code)	Structure Finish	LED	Driver Options
<input type="radio"/> L032670311A20100 78W (Downward Light)	<input type="radio"/> Matt White	<input type="radio"/> 3000K	<input type="radio"/> 120V 0-10V Dimming
<input type="radio"/> L032670309A20100 78W (Up-Down Light)	<input type="radio"/> Matt Black	<input type="radio"/> 4000K	<input type="radio"/> 277V 0-10V Dimming
	<input type="radio"/> Brass		



**Luminart®**

WWW.LUMINARTLIGHTING.COM