

LUNA™

SUSPENSION VERTICAL

TYPE:

PROJECT NAME:



SPECIFICATION SHEET

Luminart®

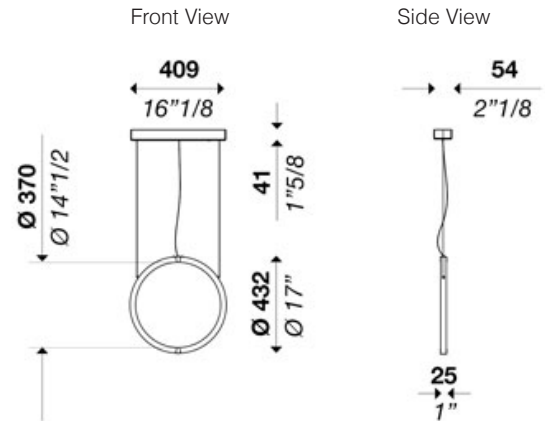
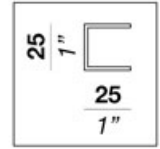
WWW.LUMINARTLIGHTING.COM

LUNA™ SMALL

SUSPENSION VERTICAL 32W

TYPE:

PROJECT NAME:



Hanging lamp Ø 430mm (17") with diffused light. Aluminium structure matt white, black or brass coated. Opal membrane diffuser. Metal ceiling canopy matt white, black or brass coated. Strip LED.

Power input: 32W

Light emission direction: Diffused

Hanging cables:

Stainless steel cables standard length 2000 mm (78"3/4),
Electric cable standard length 2500 mm (100")

Materials: Aluminium structure, opal membrane diffuser

Electrical: High efficiency electronic power supply, rated
50,000 hours 120V-277V

Dimming: Power supply compatible with 0-10V

Structure finish: Matt white, matt black, brass



Light source: LED

3000K: 90CRI
4000K: 90CRI

Degree of protection: IP20

Source lumens: 3648 lm

Source efficacy: 114 lm/W

SPECIFICATION SHEET

ORDERING INFO

Model (Order Code)	Structure Finish	LED	Driver Options
<input type="radio"/> L032670303A20100 32W	<input type="radio"/> Matt White <input type="radio"/> Matt Black <input type="radio"/> Brass	<input type="radio"/> 3000K <input type="radio"/> 4000K	<input type="radio"/> 120V 0-10V Dimming <input type="radio"/> 277V 0-10V Dimming

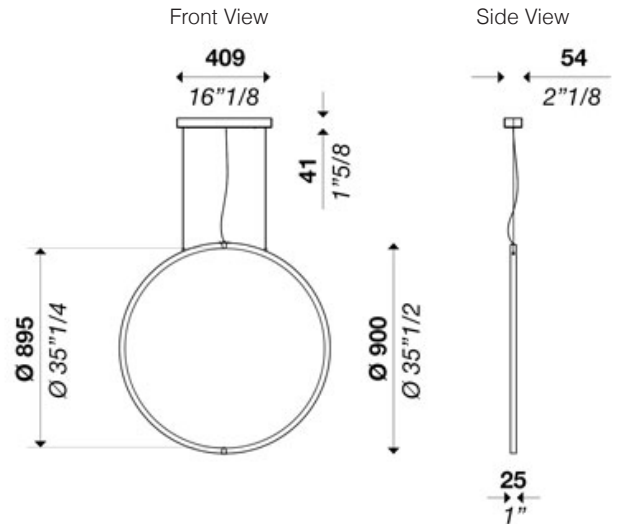
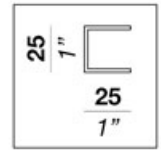


LUNA™ MEDIUM

SUSPENSION VERTICAL 69W

TYPE:

PROJECT NAME:



Hanging lamp Ø 900mm (35"1/2) with diffused light. Aluminium structure matt white, black or brass coated. Opal membrane diffuser. Metal ceiling canopy matt white, black or brass coated. Strip LED.

Power input: 69W

Light emission direction: Diffused

Hanging cables:
Stainless steel cables standard length 2000 mm (78"3/4),
Electric cable standard length 2500 mm (100")

Materials: Aluminium structure, opal membrane diffuser

Electrical: High efficiency electronic power supply, rated 50,000 hours 120V-277V

Dimming: Power supply compatible with 0-10V

Structure finish: Matt white, matt black, brass



Light source: LED
3000K: 90CRI
4000K: 90CRI

Degree of protection: IP20

Source lumens: 7866 lm

Source efficacy: 114 lm/W

SPECIFICATION SHEET

ORDERING INFO

Model (Order Code)	Structure Finish	LED	Driver Options
<input type="radio"/> L032670302A20100 69W	<input type="radio"/> Matt White <input type="radio"/> Matt Black <input type="radio"/> Brass	<input type="radio"/> 3000K <input type="radio"/> 4000K	<input type="radio"/> 120V 0-10V Dimming <input type="radio"/> 277V 0-10V Dimming



Luminart®

WWW.LUMINARTLIGHTING.COM

LUNA™ LARGE

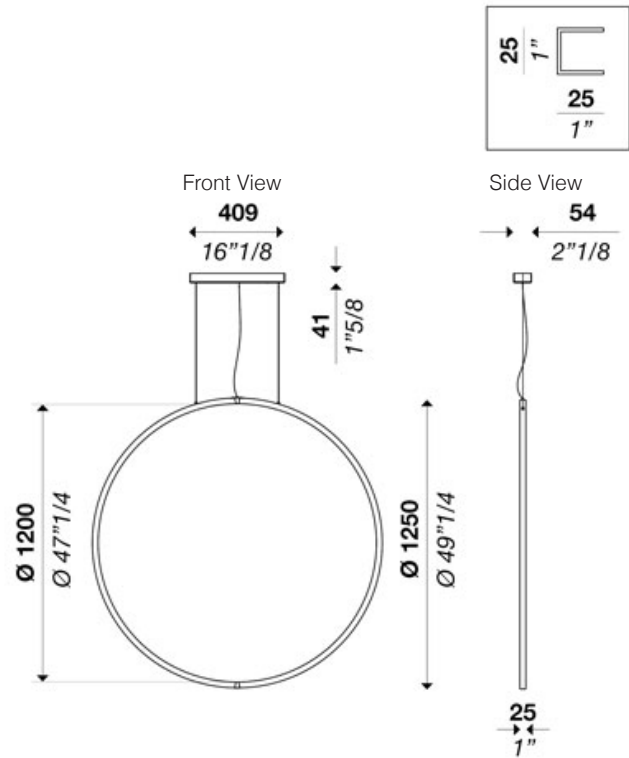
SUSPENSION VERTICAL 78W

TYPE:

PROJECT NAME:



Hanging lamp Ø 1250mm (49"1/4) with direct light or direct and indirect light. Aluminium structure matt white, black or brass coated. Opal membrane diffuser. Metal ceiling canopy matt white, black or brass coated. Strip LED.



Power input: 78W

Light emission direction: Diffused

Hanging cables:

Stainless steel cables standard length 2000 mm (78"3/4),
Electric cable standard length 2500 mm (100")

Materials: Aluminium structure, opal membrane diffuser

Electrical: High efficiency electronic power supply, rated
50,000 hours 120V-277V

Dimming: Power supply compatible with 0-10V

Structure finish: Matt white, matt black, brass



Light source: LED

3000K: 90CRI
4000K: 90CRI

Degree of protection: IP20

Source lumens: 8892 lm

Source efficacy: 114 lm/W

SPECIFICATION SHEET

ORDERING INFO

Model (Order Code)	Structure Finish	LED	Driver Options
<input type="radio"/> L032670310A20100 78W	<input type="radio"/> Matt White <input type="radio"/> Matt Black <input type="radio"/> Brass	<input type="radio"/> 3000K <input type="radio"/> 4000K	<input type="radio"/> 120V 0-10V Dimming <input type="radio"/> 277V 0-10V Dimming

