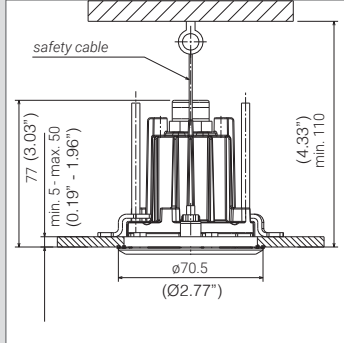


# LUX SHOWER™ 70

TYPE:

PROJECT NAME:

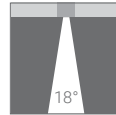
RECESSED



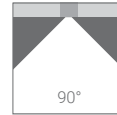
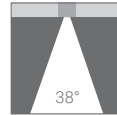
Ceiling hole  
 ø min. 65 mm - ø max. 66 mm  
 (min Ø2.55" - max Ø2.59")

COD.	LAMP	W	LM LED - REAL LM	
L981470	<input type="radio"/> Led	3	240	130

Fixed optic.  
 IP 67 with flanges  
 CRI 80  
 24V DC



add 18 to the code



add 90 to the code



SPECIFICATION SHEET

## ORDERING INFO

Model (Order Code)	Finish	LED	Remote Driver Options
	<input type="radio"/> <input checked="" type="checkbox"/> Metallic Grey	<input type="radio"/> 3000K <input type="radio"/> 4000K	<input type="radio"/> 120V Phase Dimming <input type="radio"/> 120V 0-10V Dimming <input type="radio"/> 277V 0-10V Dimming

