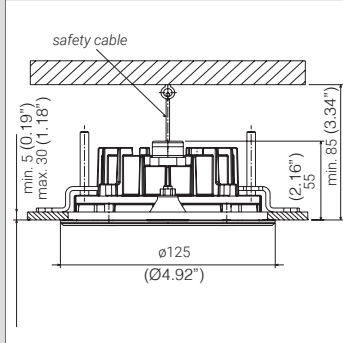


# LUX SHOWER™ ULTRAFLAT TYPE:

RECESSED

PROJECT NAME:

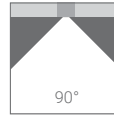


CODE	LAMP	W	LM LED	REAL LM
L981479	<input type="radio"/> Led	8	800	355

Fixed optic.  
Opal glass 10 mm.  
IP 67 with flanges  
CRI 80  
24V DC



Ceiling hole  
ø min. 115 mm - ø max. 116 mm  
(min Ø4.52" - max Ø4.56")



SPECIFICATION SHEET

## ORDERING INFO

Model (Order Code)	Finish	LED	Remote Driver Options
	<input type="radio"/> <input checked="" type="checkbox"/> Metallic Grey	<input type="radio"/> 3000K <input type="radio"/> 4000K	<input type="radio"/> 120V Phase Dimming <input type="radio"/> 120V 0-10V Dimming <input type="radio"/> 277V 0-10V Dimming

