

# MIAMI™

COLLECTION

TYPE:

PROJECT NAME:

design Giordana Arcesilai 2007

*Fiberglass shader lamp collection, which is enriched with a new surfacial structure*

**Finishes:** brass

*Bases in "Serizzo" stone and lava/ Warm white fiberglass shader*

**Materials:** brass or inox steel

**Light:** LED E26



SPECIFICATION SHEET

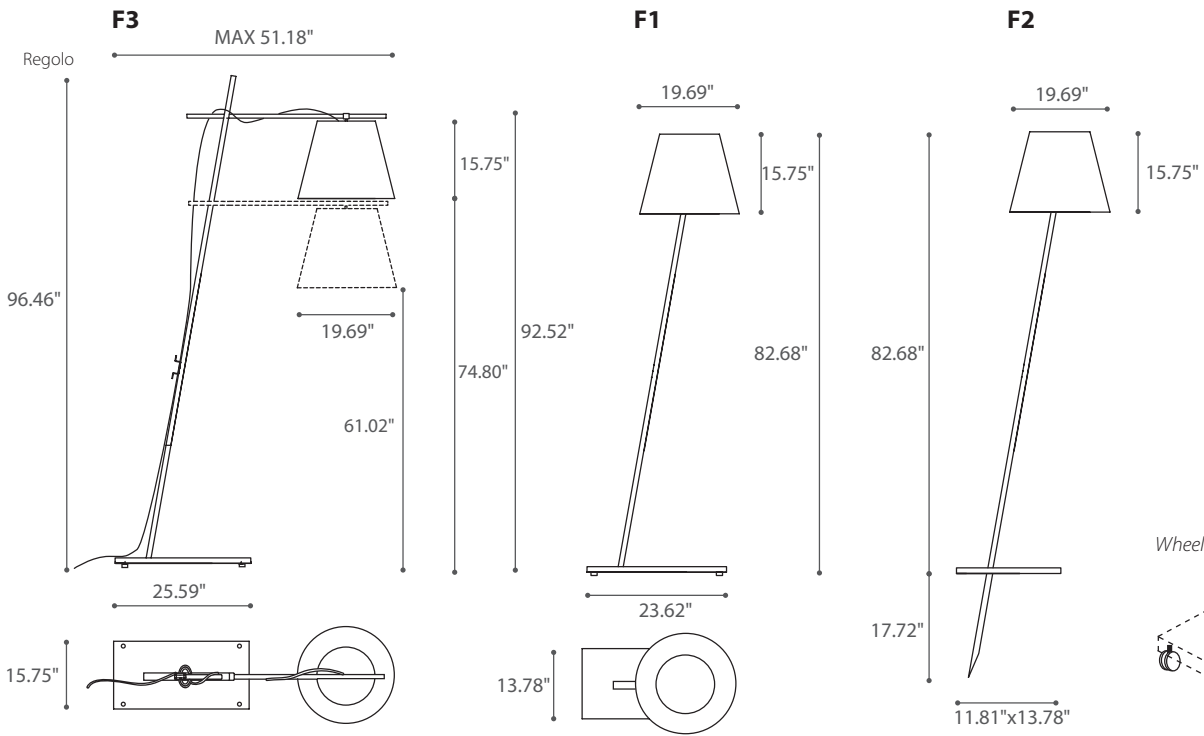
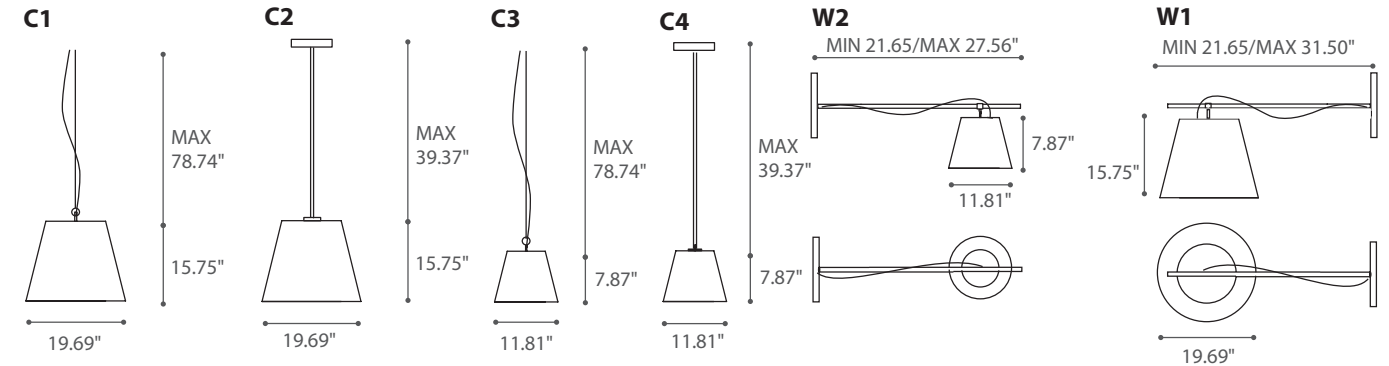
**Luminart®**

WWW.LUMINARTLIGHTING.COM  
Last updated: 7/22/19

# MIAMI™ COLLECTION

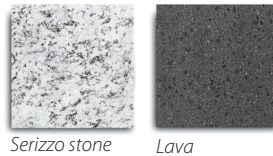
TYPE:

PROJECT NAME:



SPECIFICATION SHEET

Base's materials



LED E26 110/120V



# Luminart®

WWW.LUMINARTLIGHTING.COM  
Last updated: 7/22/19