

NAOS™

BOLLARD

TYPE:

PROJECT NAME:



Fixture Specifications

Protection . IP 65 - IK 08

Body Pole . Extruded aluminium alloy

Body/Base . Die-cast aluminium alloy

Screen . Transparent Polycarbonate

Reflector . White Painted Aluminium

Seals . Closed-cell EPDM rubber

Screws . Stainless steel A2

Paint / Finishing . Anti-corrosive UV stabilised polyester powder

Finishes



00
PURE WHITE
RAL 9016



01
BLACK
RAL 9005



10
WHITE
RAL 9010



24
BRONZE



25
RUST



30
ANTHRACITE



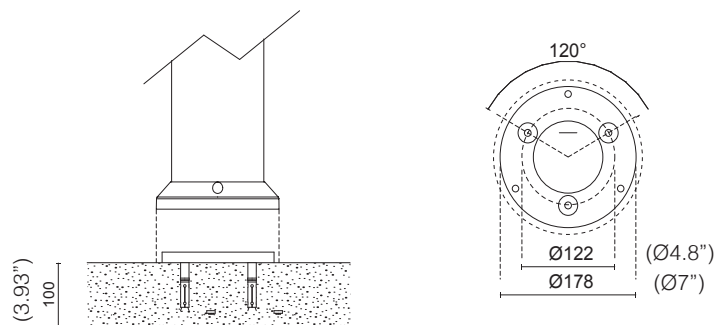
35
SLATE GREY



40
GREY
RAL 9006

Assembly

Ground connection system with anchoring brackets to be ordered separately
The orientation is independent of the layout of the ground fixing holes



Residential areas



Cycle
Pedestrian paths



Access areas



Parks
Gardens

Application

SPECIFICATION SHEET

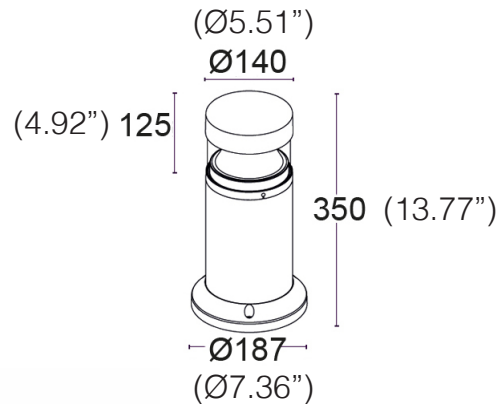
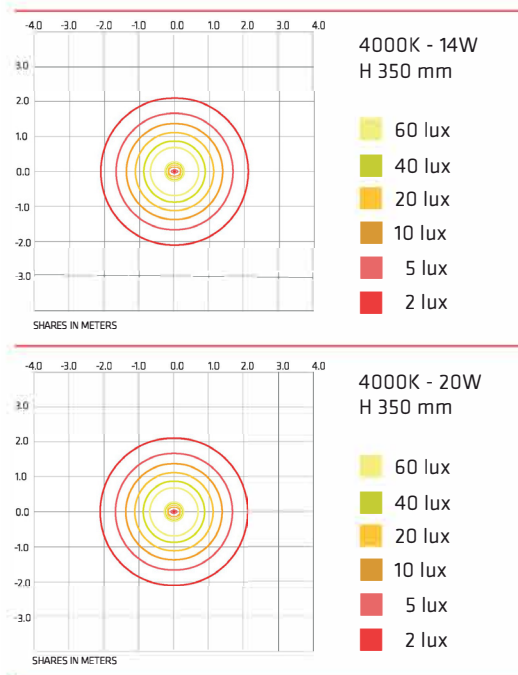
NAOS™ 350

BOLLARD

TYPE:

PROJECT NAME:

beam	class	W	source	fixture	CCT LED	CRI
 360°	II	14W	1900 lm	980 lm	3000 K	80
 360°	II	14W	2000 lm	1030 lm	4000 K	80
 360°	II	20W	2700 lm	1400 lm	3000 K	80
 360°	II	20W	2835 lm	1462 lm	4000 K	80



ORDERING INFO

Model (Order Code)	Finish Options	Optic Options	Accessories	LED	Dimming Options
<input type="radio"/> NAOS 350 14W <input type="radio"/> NAOS 350 20W	<input type="radio"/> 00: Pure White <input type="radio"/> 10: White <input type="radio"/> 24: Bronze <input type="radio"/> 25: Rust <input type="radio"/> 01: Black <input type="radio"/> 30: Anthracite <input type="radio"/> 35: Slate Grey <input type="radio"/> 40: Grey	<input type="radio"/> 36: 360°	<input type="radio"/> G: Ground Anchoring Bracket	<input type="radio"/> 30: 3000K <input type="radio"/> 40: 4000K	<input type="radio"/> 120V LTE <input type="radio"/> 120V-277V 0-10V (Universal Voltage)

SPECIFICATION SHEET







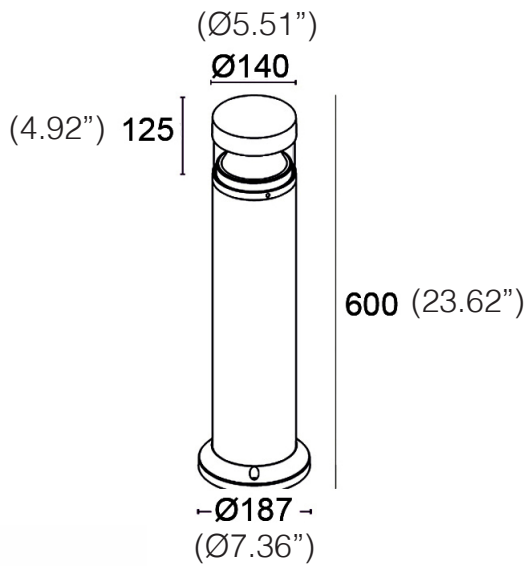
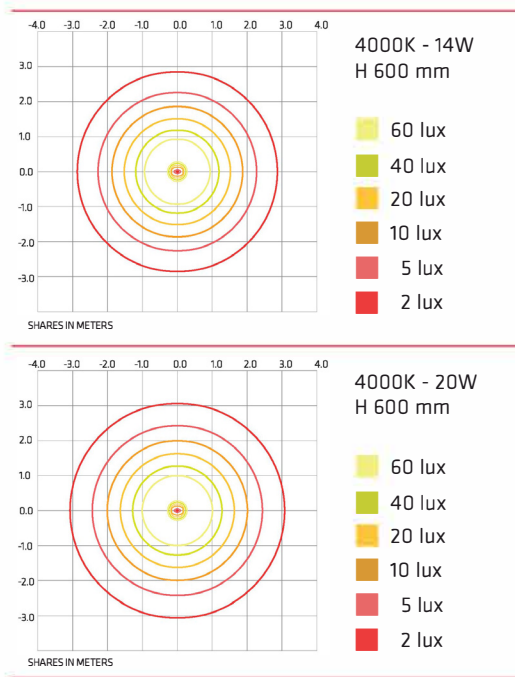
NAOS™ 600

BOLLARD

TYPE:

PROJECT NAME:

beam	class	W	source	fixture	CCT LED	CRI
 360°	II	14W	1900 lm	980 lm	3000 K	80
 360°	II	14W	2000 lm	1030 lm	4000 K	80
 360°	II	20W	2700 lm	1400 lm	3000 K	80
 360°	II	20W	2835 lm	1462 lm	4000 K	80



ORDERING INFO

Model (Order Code)	Finish Options	Optic Options	Accessories	LED	Dimming Options
○ NAOS 600 14W	○ 00: Pure White	○ 36: 360°	○ G: Ground Anchoring Bracket	○ 30: 3000K	○ 120V LTE
○ NAOS 600 20W	○ 10: White			○ 40: 4000K	○ 120V-277V 0-10V (Universal Voltage)
	○ 24: Bronze				
	○ 25: Rust				
	○ 01: Black				
	○ 30: Anthracite				
	○ 35: Slate Grey				
	○ 40: Grey				

SPECIFICATION SHEET







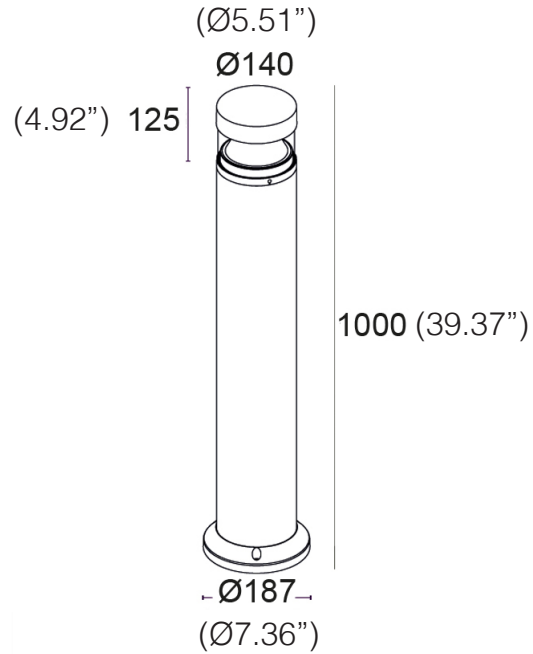
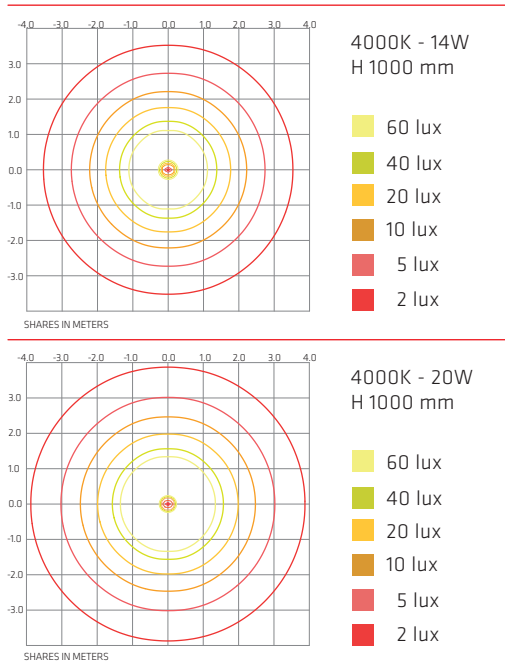
NAOS™ 1000

BOLLARD

TYPE:

PROJECT NAME:

beam	class	W	source	fixture	CCT LED	CRI
 360°	II	14W	1900 lm	980 lm	3000 K	80
 360°	II	14W	2000 lm	1030 lm	4000 K	80
 360°	II	20W	2700 lm	1400 lm	3000 K	80
 360°	II	20W	2835 lm	1462 lm	4000 K	80



ORDERING INFO

Model (Order Code)	Finish Options	Optic Options	Accessories	LED	Dimming Options
○ NAOS 1000 14W	○ 00: Pure White	○ 36: 360°	○ G: Ground Anchoring Bracket	○ 30: 3000K	○ 120V LTE
○ NAOS 1000 20W	○ 10: White			○ 40: 4000K	○ 120V-277V 0-10V (Universal Voltage)
	○ 24: Bronze				
	○ 25: Rust				
	○ 01: Black				
	○ 30: Anthracite				
	○ 35: Slate Grey				
	○ 40: Grey				



SPECIFICATION SHEET