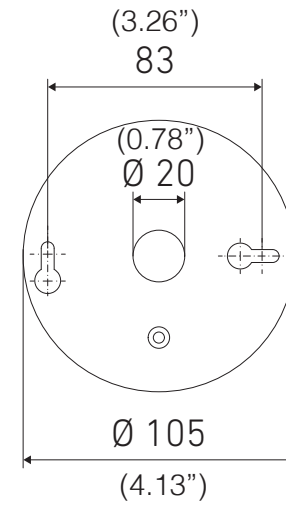
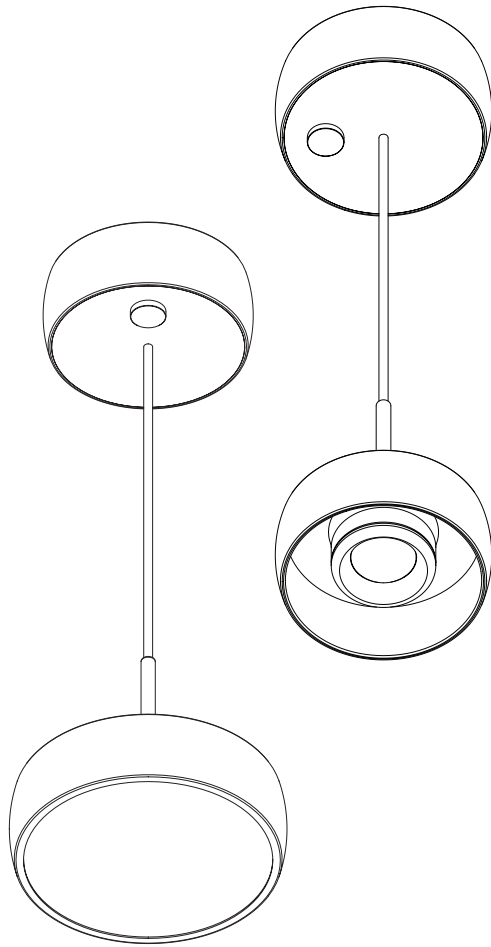


NEXUS ONE™

INSTALLATION INSTRUCTIONS

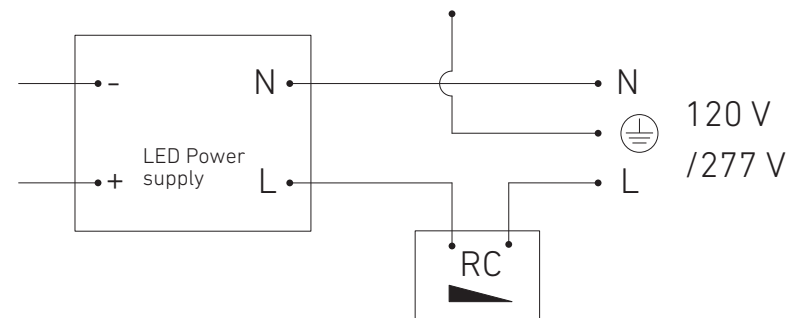
TYPE:

PROJECT NAME:



120 31.41**13**.xxx.xxx
 160 31.41**14**.xxx.xxx
 300 31.41**15**.xxx.xxx

ELECTRICAL WIRING DIAGRAMS



INSTALLATION SHEET

NEXUS ONE™

INSTALLATION INSTRUCTIONS

TYPE:

PROJECT NAME:

1. Turn off the power.
2. Attach the mounting bracket to the mounting crossbar with screws (A) and mount the crossbar to the junction box.
3. Adjust the length of the wire and lock it with the end stop. You can store the excess in the box or cut of the lamp.
4. Connect the 120-277V power to the driver. Remember to ground (electrical wiring diagrams on the first page).
5. Place the housing on the mounting plate and tighten with the decorative nut (B).
6. Turn on the power.

Note: The enclosed tool kit is designed for solid materials (solid brick, wood, concrete, aerated concrete) and gypsum board surfaces. The dowel should be properly matched to the mounting surface. Proper use of the dowel affects the safety and strength of the structure.

